

## 07800

### Adjusting Rings to DIN 705 in steel



**Material, surface finish:**  
Steel, natural finish

#### Adjusting Rings to DIN 705 in steel

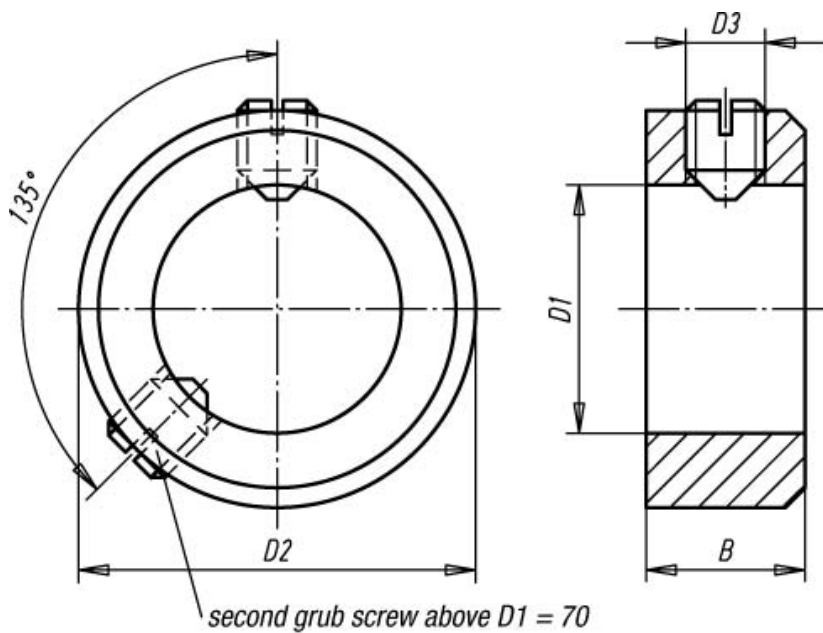
Order No.	Previous Order No. single	Form	D1 H8	B js14	D2 h13	D3 grub screw	Approx. weight kg	Price
07800-100301	K5470100301	A	3	5	7	M 2 x 3	0,001	0,28 €
07800-100401	K5470100401	A	4	5	8	M 2,5 x 3	0,001	0,28 €
07800-100501	K5470100501	A	5	6	10	M 3 x 4	0,003	0,29 €
07800-100601	K5470100601	A	6	8	12	M 4 x 5	0,005	0,29 €
07800-100701	K5470100701	A	7	8	12	M 4 x 5	0,005	0,29 €
07800-100801	K5470100801	A	8	8	16	M 4 x 6	0,009	0,34 €
07800-100901	K5470100901	A	9	10	18	M 5 x 8	0,015	0,44 €
07800-101001	K5470101001	A	10	10	20	M 5 x 8	0,018	0,44 €
07800-101101	K5470101101	A	11	10	20	M 5 x 8	0,017	0,44 €
07800-101201	K5470101201	A	12	12	22	M 6 x 8	0,025	0,52 €
07800-101401	K5470101401	A	14	12	25	M 6 x 8	0,032	0,58 €
07800-101501	K5470101501	A	15	12	25	M 6 x 8	0,030	0,58 €
07800-101601	K5470101601	A	16	12	28	M 6 x 8	0,039	0,62 €
07800-101801	K5470101801	A	18	14	32	M 6 x 8	0,060	0,78 €
07800-102001	K5470102001	A	20	14	32	M 6 x 8	0,054	0,78 €
07800-102201	K5470102201	A	22	14	36	M 6 x 10	0,070	0,92 €
07800-102401	K5470102401	A	24	16	40	M 8 x 12	0,101	1,21 €
07800-102501	K5470102501	A	25	16	40	M 8 x 10	0,096	1,21 €
07800-102601	K5470102601	A	26	16	40	M 8 x 10	0,091	1,21 €
07800-102801	K5470102801	A	28	16	45	M 8 x 12	0,122	1,56 €
07800-103001	K5470103001	A	30	16	45	M 8 x 10	0,111	1,62 €
07800-103201	K5470103201	A	32	16	50	M 8 x 12	0,146	1,93 €
07800-103401	K5470103401	A	34	16	50	M 8 x 12	0,133	1,93 €
07800-103501	K5470103501	A	35	16	56	M 8 x 12	0,189	2,19 €
07800-103601	K5470103601	A	36	16	56	M 8 x 12	0,182	2,19 €
07800-103801	K5470103801	A	38	16	56	M 8 x 12	0,167	2,34 €
07800-104001	K5470104001	A	40	18	63	M 10 x 16	0,263	3,26 €
07800-104201	K5470104201	A	42	18	63	M 10 x 16	0,245	3,26 €
07800-104501	K5470104501	A	45	18	70	M 10 x 16	0,319	3,92 €
07800-104801	K5470104801	A	48	18	70	M 10 x 16	0,288	3,92 €
07800-105001	K5470105001	A	50	18	80	M 10 x	0,433	4,93 €



07800-305501	K5470305501	E	55	18	80	M 10 x 16	0,375	5,01 €
07800-305601	K5470305601	E	56	18	80	M 10 x 16	0,362	5,01 €
07800-305801	K5470305801	E	58	20	90	M 10 x 16	0,584	7,63 €
07800-306001	K5470306001	E	60	20	90	M 10 x 16	0,555	7,63 €
07800-306301	K5470306301	E	63	20	90	M 10 x 16	0,509	7,63 €
07800-306501	K5470306501	E	65	20	100	M 10 x 20	0,712	9,43 €
07800-306801	K5470306801	E	68	20	100	M 10 x 20	0,663	9,43 €
07800-307001	K5470307001	E	70	20	100	M 10 x 20	0,629	9,43 €
07800-307201	K5470307201	E	72	22	110	M 12 x 20	0,938	12,95 €
07800-307501	K5470307501	E	75	22	110	M 12 x 20	0,878	12,95 €
07800-308001	K5470308001	E	80	22	110	M 12 x 20	0,773	12,95 €
07800-308501	K5470308501	E	85	22	125	M 12 x 25	1,139	23,63 €
07800-309001	K5470309001	E	90	22	125	M 12 x 20	1,021	23,63 €
07800-310001	K5470310001	E	100	25	140	M 12 x 25	1,480	27,98 €

We grant amount dependent discounts.

Construction data



Form A  
with grub screw DIN 553  
(recess)

Form E  
with grub screw DIN 914  
(hexagon socket)