

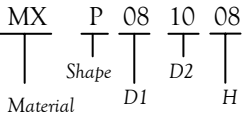
MX

PRE-LUBRICATED BEARINGS

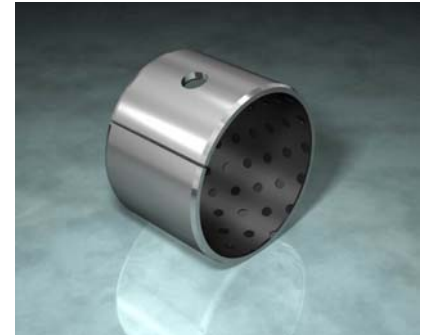
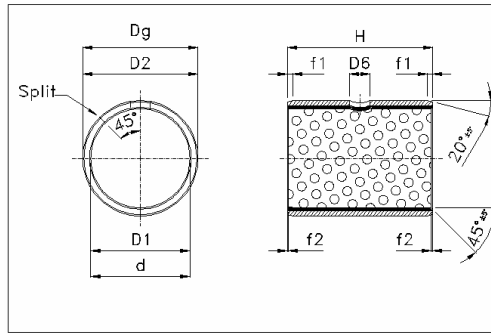
METRIC SIZES

Cylindrical Plain Bearings
dimension according to ISO 3547

Part Number Structure:



General Tolerances:
Length (H) = ± 0.25
Lubric. Hole (D6) = ± 0.30
Position Hole = 45°



Available from stock

Part Number	D1	D2	H	D6	D1 (After As.bly)	Dg (Housing Recom.)	d (Shaft Recommended)
MX P 081008	08	10	08	-	8.040 ÷ 8.105	10.000 ÷ 10.015	7.978 ÷ 8.000
MX P 081010			10				
MX P 081012			12				
MX P 101210	10	12	10	03	10.040 ÷ 10.108	12.000 ÷ 12.018	9.978 ÷ 10.000
MX P 101212			12				
MX P 101215			15				
MX P 101220			20				
MX P 121410	12	14	10	03	12.040 ÷ 12.108	14.000 ÷ 14.018	11.973 ÷ 12.000
MX P 121412			12				
MX P 121415			15				
MX P 121420			20				
MX P 121425			25				
MX P 141615	14	16	15	03	14.040 ÷ 14.108	16.000 ÷ 16.018	13.973 ÷ 14.000
MX P 141620			20				
MX P 141625			25				
MX P 151710	15	17	10	03	15.040 ÷ 15.108	17.000 ÷ 17.018	14.973 ÷ 15.000
MX P 151712			12				
MX P 151715			15				
MX P 151720			20				
MX P 161815	16	18	15	03	16.040 ÷ 16.108	18.000 ÷ 18.018	15.973 ÷ 16.000
MX P 161820			20				
MX P 161825			25				
MX P 182015	18	20	15	03	18.040 ÷ 18.111	20.000 ÷ 20.021	17.973 ÷ 18.000
MX P 182020			20				
MX P 182025			25				
MX P 202310	20	23	10	03	20.050 ÷ 20.131	23.000 ÷ 23.021	19.967 ÷ 20.000
MX P 202315			15				
MX P 202320			20				
MX P 202325			25				
MX P 202330			30				
MX P 222515	22	25	15	03	22.050 ÷ 22.131	25.000 ÷ 25.021	21.967 ÷ 22.000
MX P 222520			20				
MX P 222525			25				
MX P 222530			30				
MX P 242715	24	27	15	04	24.050 ÷ 24.131	27.000 ÷ 27.021	23.967 ÷ 24.000
MX P 242720			20				
MX P 242275			25				
MX P 242730			30				
MX P 252815	25	28	15	04	25.050 ÷ 25.131	28.000 ÷ 28.021	24.967 ÷ 25.000
MX P 252820			20				
MX P 252825			25				
MX P 252830			30				
MX P 283130	28	31	30	04	28.050 ÷ 28.135	31.000 ÷ 31.025	27.967 ÷ 28.000

<i>Part Number</i>	<i>D1</i>	<i>D2</i>	<i>H</i>	<i>D6</i>	<i>D1 (After As.bly)</i>	<i>Dg (Housing Recom.)</i>	<i>d (Shaft Recomend)</i>
MX P 283220	28	32	20	04	28.060 ÷ 28.155	32.000 ÷ 32.025	27.967 ÷ 28.000
MX P 283225			25				
MX P 283230			30				
MX P 303420	30	34	20	04	30.060 ÷ 30.155	34.000 ÷ 34.025	29.967 ÷ 30.000
MX P 303430			30				
MX P 303440			40				
MX P 323620	32	36	20	04	32.060 ÷ 32.155	36.000 ÷ 36.025	31.961 ÷ 32.000
MX P 323630			30				
MX P 323635			35				
MX P 323640			40				
MX P 353920	35	39	20	04	35.060 ÷ 35.155	39.000 ÷ 39.025	34.961 ÷ 35.000
MX P 353930			30				
MX P 353935			35				
MX P 353950			50				
MX P 363405	36	40	35	04	36.060 ÷ 36.155	40.000 ÷ 40.025	35.961 ÷ 36.000
MX P 374120	37	41	20	04	37.060 ÷ 37.155	41.000 ÷ 41.025	36.961 ÷ 37.000
MX P 404420	40	44	20	04	40.060 ÷ 40.155	44.000 ÷ 44.025	39.961 ÷ 40.000
MX P 404430			30				
MX P 404440			40				
MX P 404450			50				
MX P 455020	45	50	20	05	45.080 ÷ 45.195	50.000 ÷ 50.025	44.961 ÷ 45.000
MX P 455030			30				
MX P 455040			40				
MX P 455045			45				
MX P 455050			50				
MX P 505540	50	55	40	05	50.080 ÷ 50.200	55.000 ÷ 55.030	49.961 ÷ 50.000
MX P 505550			50				
MX P 505560			60				
MX P 556020	55	60	20	06	55.080 ÷ 55.200	60.000 ÷ 60.030	54.954 ÷ 55.000
MX P 556025			25				
MX P 556030			30				
MX P 556040			40				
MX P 556050			50				
MX P 556060	60						
MX P 606530	60	65	30	06	60.080 ÷ 60.200	65.000 ÷ 65.030	59.954 ÷ 60.000
MX P 606540			40				
MX P 606560			60				
MX P 606570			70				
MX P 657040	65	70	40	06	65.080 ÷ 65.200	70.000 ÷ 70.030	64.954 ÷ 65.000
MX P 657050			50				
MX P 657060			60				
MX P 657070			70				
MX P 707540	70	75	40	06	70.080 ÷ 70.200	75.000 ÷ 75.030	69.954 ÷ 70.000
MX P 707550			50				
MX P 707565			65				
MX P 707570			70				
MX P 707580	80	85	80	06	80.080 ÷ 80.205	85.000 ÷ 85.035	79.954 ÷ 80.000
MX P 758040			40				
MX P 758060			60				
MX P 758080			80				
MX P 808540			80				
MX P 808550	50						
MX P 808560	60						
MX P 808580	80						
MX P 8085100			100				

Part Number	D1	D2	H	D6	D1 (After As.bly)	Dg (Housing Recom.)	d (Shaft Recommended)
MX P 859030	85	90	30	06	85.080 ÷ 85.205	90.000 ÷ 90.035	84.946 ÷ 85.000
MX P 859040			40				
MX P 859060			60				
MX P 859080			80				
MX P 8590100			100				
MX P 909540	90	95	40	06	90.080 ÷ 90.205	95.000 ÷ 95.035	89.946 ÷ 90.000
MX P 909560			60				
MX P 909580			80				
MX P 909590			90				
MX P 9095100			100				
MX P 9510060	95	100	60	06	95.080 ÷ 95.205	100.000 ÷ 100.035	94.946 ÷ 95.000
MX P 95100100			100				
MX P 10010550	100	105	50	06	100.080 ÷ 100.205	105.000 ÷ 105.035	99.946 ÷ 100.000
MX P 10010560			60				
MX P 10010580			80				
MX P 10010595			95				
MX P 100105115			115				
MX P 10511060	105	110	60	08	105.080 ÷ 105.205	110.000 ÷ 110.035	104.946 ÷ 105.000
MX P 105110110			110				
MX P 105110115			115				
MX P 11011560	110	115	60	08	110.080 ÷ 110.205	115.000 ÷ 115.035	109.946 ÷ 110.000
MX P 110115110			110				
MX P 110115115			115				
MX P 11512050	115	120	50	08	115.080 ÷ 115.205	120.000 ÷ 120.035	114.946 ÷ 115.000
MX P 11512070			70				
MX P 12012560	120	125	60	08	120.080 ÷ 120.210	125.000 ÷ 125.040	119.946 ÷ 120.000
MX P 120125100			100				
MX P 120125110			110				
MX P 12513060	125	130	60	08	125.080 ÷ 125.210	130.000 ÷ 130.040	124.937 ÷ 125.000
MX P 125130100			100				
MX P 125130110			110				
MX P 13013550	130	135	50	08	130.080 ÷ 130.210	135.000 ÷ 135.040	129.937 ÷ 130.000
MX P 13013560			60				
MX P 13013580			80				
MX P 130135100			100				
MX P 13514060	135	140	60	08	135.080 ÷ 135.210	140.000 ÷ 140.040	134.937 ÷ 135.000
MX P 13514080			80				
MX P 14014550	140	145	50	08	140.080 ÷ 140.210	145.000 ÷ 145.040	139.937 ÷ 140.000
MX P 14014560			60				
MX P 14014580			80				
MX P 140145100			100				
MX P 15015550	150	155	50	08	150.080 ÷ 150.210	155.000 ÷ 155.040	149.937 ÷ 150.000
MX P 15015560			60				
MX P 15015580			80				
MX P 150155100			100				
MX P 16016550	160	165	50	08	160.080 ÷ 160.210	165.000 ÷ 165.040	159.937 ÷ 160.000
MX P 16016560			60				
MX P 16016580			80				
MX P 160165100			100				
MX P 17017550	170	175	50	08	170.080 ÷ 170.210	175.000 ÷ 175.040	169.937 ÷ 170.000
MX P 17017560			60				
MX P 17017580			80				
MX P 170175100			100				
MX P 18018550	180	185	50	08	180.080 ÷ 180.216	185.000 ÷ 185.046	179.937 ÷ 180.000
MX P 18018560			60				

Part Number	D1	D2	H	D6	D1 (After As.bly)	Dg (Housing Recom.)	d (Shaft Recommended)																																																																																																																										
MX P 18018580	180	185	80	08	180.080 ÷ 180.216	185.000 ÷ 185.046	179.937 ÷ 180.000																																																																																																																										
MX P 180185100			100					MX P 19019550	190	195	50	08	190.080 ÷ 190.216	195.000 ÷ 195.046	189.928 ÷ 190.000	MX P 19019560	60	MX P 19019580	80	MX P 190195100	100	MX P 190195120	120	MX P 20020550	200	205	50	08	200.080 ÷ 200.216	205.000 ÷ 205.046	199.928 ÷ 200.000	MX P 20020560	60	MX P 20020580	80	MX P 200205100	100	MX P 200205120	120	MX P 22022550	220	225	50	08	220.080 ÷ 220.216	225.000 ÷ 225.046	219.928 ÷ 220.000	MX P 22022560	60	MX P 22022580	80	MX P 220225100	100	MX P 220225120	120	MX P 24024550	240	245	50	08	240.080 ÷ 240.216	245.000 ÷ 245.046	239.928 ÷ 240.000	MX P 24024560	60	MX P 24024580	80	MX P 240245100	100	MX P 240245120	120	MX P 25025550	250	255	50	08	250.080 ÷ 250.222	255.000 ÷ 255.052	249.928 ÷ 250.000	MX P 25025560	60	MX P 25025580	80	MX P 250255100	100	MX P 250255120	120	MX P 26026550	260	265	50	08	260.080 ÷ 260.222	265.000 ÷ 265.052	259.919 ÷ 260.000	MX P 26026560	60	MX P 26026580	80	MX P 260265100	100	MX P 260265120	120	MX P 28028550	280	285	50	08	280.080 ÷ 280.222	285.000 ÷ 285.052	279.919 ÷ 280.000	MX P 28028560	60	MX P 28028580	80	MX P 280285100	100	MX P 280285120	120	MX P 30030550	300	305	50	08	300.080 ÷ 300.222	305.000 ÷ 305.052	299.919 ÷ 300.000	MX P 30030560	60
MX P 19019550	190	195	50	08	190.080 ÷ 190.216	195.000 ÷ 195.046	189.928 ÷ 190.000																																																																																																																										
MX P 19019560			60																																																																																																																														
MX P 19019580			80																																																																																																																														
MX P 190195100			100																																																																																																																														
MX P 190195120			120																																																																																																																														
MX P 20020550	200	205	50	08	200.080 ÷ 200.216	205.000 ÷ 205.046	199.928 ÷ 200.000																																																																																																																										
MX P 20020560			60																																																																																																																														
MX P 20020580			80																																																																																																																														
MX P 200205100			100																																																																																																																														
MX P 200205120			120																																																																																																																														
MX P 22022550	220	225	50	08	220.080 ÷ 220.216	225.000 ÷ 225.046	219.928 ÷ 220.000																																																																																																																										
MX P 22022560			60																																																																																																																														
MX P 22022580			80																																																																																																																														
MX P 220225100			100																																																																																																																														
MX P 220225120			120																																																																																																																														
MX P 24024550	240	245	50	08	240.080 ÷ 240.216	245.000 ÷ 245.046	239.928 ÷ 240.000																																																																																																																										
MX P 24024560			60																																																																																																																														
MX P 24024580			80																																																																																																																														
MX P 240245100			100																																																																																																																														
MX P 240245120			120																																																																																																																														
MX P 25025550	250	255	50	08	250.080 ÷ 250.222	255.000 ÷ 255.052	249.928 ÷ 250.000																																																																																																																										
MX P 25025560			60																																																																																																																														
MX P 25025580			80																																																																																																																														
MX P 250255100			100																																																																																																																														
MX P 250255120			120																																																																																																																														
MX P 26026550	260	265	50	08	260.080 ÷ 260.222	265.000 ÷ 265.052	259.919 ÷ 260.000																																																																																																																										
MX P 26026560			60																																																																																																																														
MX P 26026580			80																																																																																																																														
MX P 260265100			100																																																																																																																														
MX P 260265120			120																																																																																																																														
MX P 28028550	280	285	50	08	280.080 ÷ 280.222	285.000 ÷ 285.052	279.919 ÷ 280.000																																																																																																																										
MX P 28028560			60																																																																																																																														
MX P 28028580			80																																																																																																																														
MX P 280285100			100																																																																																																																														
MX P 280285120			120																																																																																																																														
MX P 30030550	300	305	50	08	300.080 ÷ 300.222	305.000 ÷ 305.052	299.919 ÷ 300.000																																																																																																																										
MX P 30030560			60																																																																																																																														
MX P 30030580			80																																																																																																																														
MX P 300305100			100																																																																																																																														
MX P 300305120			120																																																																																																																														

Chamfers General Tollerances:

Part Number	Part Number	f1	f2
MU P 081008	MU P 182025	0.20÷1.00	0.10÷0.50
MU P 202310	MU P 283130	0.20÷1.00	0.10÷0.70
MU P 283220	MU P 404450	0.80÷1.60	0.10÷0.70
MU P 455020	MU P 300305120	1.20÷2.40	0.20÷1.00