

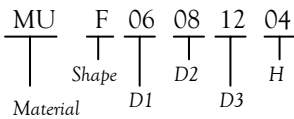
# MU

# SELF-LUBRICATED BEARINGS

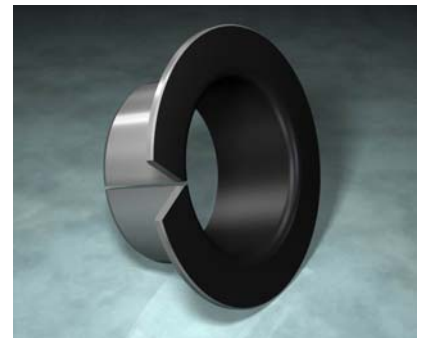
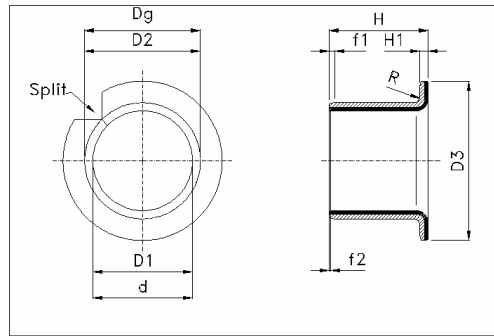
METRIC SIZES

Flanged Plain Bearings  
dimension according to ISO 3547

Part Number Structure:



General Tolerances:  
Length (H) = ±0.25  
Flange (D3) = ±0.50



Available from stock

Part Number	D1	D2	D3	H	D1 (After Assembly)	Dg (Housing Recommended)	d (Shaft Recommended)
MU F 06081204	06	08	12	04	5.990 ÷ 6.055	8.000 ÷ 8.015	5.990 ÷ 5.978
MU F 06081207				07			
MU F 06081208				08			
MU F 0810155.5	08	10	15	5.5	7.990 ÷ 8.055	10.000 ÷ 10.015	7.972 ÷ 7.987
MU F 0810157.5				7.5			
MU F 0810159.5				9.5			
MU F 10121807	10	12	18	07	9.990 ÷ 10.058	12.000 ÷ 12.018	9.972 ÷ 9.987
MU F 10121809				09			
MU F 10121812				12			
MU F 10121817				17			
MU F 12142007	12	14	20	07	11.990 ÷ 12.058	14.000 ÷ 14.018	11.966 ÷ 11.984
MU F 12142009				09			
MU F 12142012				12			
MU F 12142017				17			
MU F 14162212	14	16	22	12	13.990 ÷ 14.058	16.000 ÷ 16.018	13.966 ÷ 13.984
MU F 14162217				17			
MU F 15172309	15	17	23	09	14.990 ÷ 15.058	17.000 ÷ 17.018	14.966 ÷ 14.984
MU F 15172312				12			
MU F 15172317				17			
MU F 16182412	16	18	24	12	15.990 ÷ 16.058	18.000 ÷ 18.018	15.966 ÷ 15.984
MU F 16182417				17			
MU F 18202612	18	20	26	12	17.990 ÷ 18.061	20.000 ÷ 20.021	17.966 ÷ 17.984
MU F 18202617				17			
MU F 18202622				22			
MU F 20233011.5	20	23	30	11.5	19.990 ÷ 20.071	23.000 ÷ 23.021	19.959 ÷ 19.980
MU F 20233016.5				16.5			
MU F 20233021.5				21.5			
MU F 25283511.5	25	28	35	11.5	24.990 ÷ 25.071	28.000 ÷ 28.021	24.959 ÷ 24.980
MU F 25283516.5				16.5			
MU F 25283521.5				21.5			
MU F 30344216	30	34	42	16	29.990 ÷ 30.085	34.000 ÷ 34.025	29.959 ÷ 29.980
MU F 30344226				26			
MU F 35394716	35	39	47	16	34.990 ÷ 35.085	39.000 ÷ 39.025	34.950 ÷ 34.975
MU F 35394726				26			
MU F 40445316	40	44	53	16	39.990 ÷ 40.085	44.000 ÷ 44.025	39.950 ÷ 39.975
MU F 40445326				26			
MU F 45505816	45	50	58	16	44.990 ÷ 45.105	50.000 ÷ 50.025	44.950 ÷ 44.975
MU F 45505826				26			

General Tolerances:

Part Number	Part Number	f1	f2	H1	R
MU F 06081204	MU F 18202622	0.20÷1.00	0.10÷0.50	0.80 ÷ 1.05	0.70 ÷ 1.00
MU F 20233011.5	MU F 25283521.5	0.20÷1.00	0.10÷0.50	1.30 ÷ 1.55	1.20 ÷ 1.50
MU F 30344216	MU F 40445326	0.20÷1.00	0.10÷0.70	1.80 ÷ 2.05	1.70 ÷ 2.00
MU F 45505816	MU F 45505826	0.80÷1.60	0.10÷0.70	2.30 ÷ 2.55	2.20 ÷ 2.50