

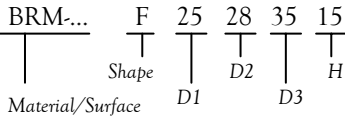
# BRM-10&80

# PRE-LUBRICATED BEARINGS

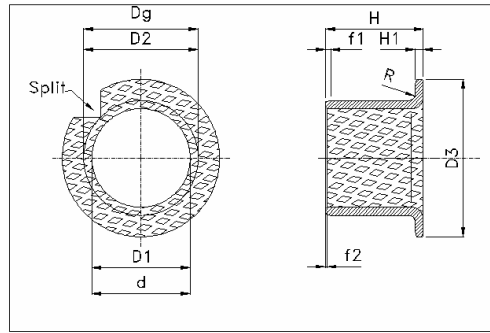
METRIC SIZES

Flanged Plain Bearings  
dimension according to ISO 3547

Part Number Structure:



General Tolerances:  
Length (H) = ± 0.25  
Flange (D3) = ± 0.50  
Flange Thick. (H1) = +0.05/-0.20  
Surface = See Last Page



Available from stock

Part Number	D1	D2	D3	H	D1 (After Assembly)	Dg (Housing Recommended)	d (Shaft Recommended)
BRM-... F 25283515	25	28	35	15	25.000 ÷ 25.052	28.000 ÷ 28.021	24.959 ÷ 24.980
BRM-... F 25283525				25			
BRM-... F 30344520	30	34	45	20	30.000 ÷ 30.062	34.000 ÷ 34.025	29.959 ÷ 29.980
BRM-... F 30344530				30			
BRM-... F 35395020	35	39	50	20	35.000 ÷ 35.062	39.000 ÷ 39.025	34.950 ÷ 34.975
BRM-... F 35395035				35			
BRM-... F 40445525	40	44	55	25	40.000 ÷ 40.062	44.000 ÷ 44.025	39.950 ÷ 39.975
BRM-... F 40445540				40			
BRM-... F 45506030	45	50	60	30	45.000 ÷ 45.062	50.000 ÷ 50.025	44.950 ÷ 44.975
BRM-... F 45506045				45			
BRM-... F 50556530	50	55	65	30	50.000 ÷ 50.062	55.000 ÷ 55.030	49.950 ÷ 49.975
BRM-... F 50556550				50			
BRM-... F 55607030	55	60	70	30	55.000 ÷ 55.074	60.000 ÷ 60.030	54.940 ÷ 54.970
BRM-... F 55607050				50			
BRM-... F 60657530	60	65	75	30	60.000 ÷ 60.074	65.000 ÷ 65.030	59.940 ÷ 59.970
BRM-... F 60657560				60			
BRM-... F 65708030	65	70	80	30	65.000 ÷ 65.074	70.000 ÷ 70.030	64.940 ÷ 64.970
BRM-... F 65708060				60			
BRM-... F 70758540	70	75	85	40	70.000 ÷ 70.074	75.000 ÷ 75.030	69.940 ÷ 69.970
BRM-... F 70758570				70			
BRM-... F 75809040	75	80	90	40	75.000 ÷ 75.074	80.000 ÷ 80.030	74.940 ÷ 74.970
BRM-... F 75809070				70			
BRM-... F 808510040	80	85	100	40	80.000 ÷ 80.074	85.000 ÷ 85.035	79.929 ÷ 79.964
BRM-... F 808510080				80			
BRM-... F 909511050	90	95	110	50	90.000 ÷ 90.087	95.000 ÷ 95.035	89.929 ÷ 89.964
BRM-... F 909511090				90			
BRM-... F 10010512050	100	105	120	50	100.000 ÷ 100.087	105.000 ÷ 105.035	99.929 ÷ 99.964
BRM-... F 10010512090				90			
BRM-... F 11011513050	110	115	130	50	110.000 ÷ 110.087	115.000 ÷ 115.035	109.929 ÷ 109.964
BRM-... F 11011513090				90			
BRM-... F 12012514050	120	125	140	50	120.000 ÷ 120.087	125.000 ÷ 125.040	119.929 ÷ 119.964
BRM-... F 12012514090				90			
BRM-... F 13013515560	130	135	155	60	130.000 ÷ 130.100	135.000 ÷ 135.040	129.917 ÷ 129.957
BRM-... F 13013515590				90			
BRM-... F 14014516560	140	145	165	60	140.000 ÷ 140.100	145.000 ÷ 145.040	139.917 ÷ 139.957
BRM-... F 14014516590				90			
BRM-... F 15015518060	150	155	180	60	150.000 ÷ 150.100	155.000 ÷ 155.040	149.917 ÷ 149.957
BRM-... F 15015518090				90			
BRM-... F 16016519060	160	165	190	60	160.000 ÷ 160.100	165.000 ÷ 165.040	159.917 ÷ 160.957
BRM-... F 16016519090				90			
BRM-... F 17017520060	170	175	200	60	170.000 ÷ 170.100	175.000 ÷ 175.040	169.917 ÷ 169.957
BRM-... F 17017520090				90			

# BRM-10&80 PRE-LUBRICATED BEARINGS

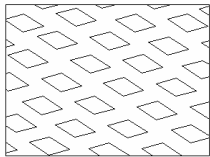
METRIC SIZES

Part Number	D1	D2	D3	H	D1 (After Assembly)	Dg (Housing Recommended)	d (Shaft Recommended)
BRM-... F 18018521560	180	185	215	60	180.000 ÷ 180.115	185.000 ÷ 185.046	179.917 ÷ 179.957
BRM-... F 18018521590				90			
BRM-... F 19019522560	190	195	225	60	190.000 ÷ 190.115	195.000 ÷ 195.046	189.904 ÷ 189.950
BRM-... F 19019522590				90			
BRM-... F 20020523560	200	205	235	60	200.000 ÷ 200.115	205.000 ÷ 205.046	199.904 ÷ 199.950
BRM-... F 20020523590				90			
BRM-... F 22523026060	225	230	260	60	225.000 ÷ 225.115	230.000 ÷ 230.046	224.904 ÷ 224.950
BRM-... F 22523026090				90			
BRM-... F 25025529060	250	255	290	60	250.000 ÷ 250.115	255.000 ÷ 255.052	249.904 ÷ 249.950
BRM-... F 250255290100				90			
BRM-... F 26527030560	265	270	305	60	265.000 ÷ 265.130	270.000 ÷ 270.052	264.892 ÷ 264.944
BRM-... F 26527030590				90			
BRM-... F 28529032560	285	290	325	60	285.000 ÷ 285.130	290.000 ÷ 290.052	284.892 ÷ 284.944
BRM-... F 28529032590				90			
BRM-... F 30030534060	300	305	340	60	300.000 ÷ 300.130	305.000 ÷ 305.052	299.892 ÷ 299.944
BRM-... F 30030534090				90			

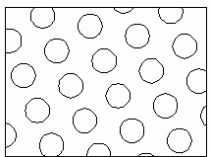
General Tolerances:

Part Number	Part Number	f1	f2	H1	R
BRM-... F 25283515	BRM-... F 25283525	0.20÷1.00	0.10÷0.50	1.30 ÷ 1.55	1.20 ÷ 1.50
BRM-... F 30344520	BRM-... F 40445540	0.20÷1.00	0.10÷0.70	1.80 ÷ 2.05	1.70 ÷ 2.00
BRM-... F 45506030	BRM-... F 30030534090	0.80÷1.60	0.10÷0.70	2.30 ÷ 2.55	2.20 ÷ 2.50

Internal Surface:



BRM-10 (Lozenge Pockets)



BRM-80 (Through Holes)