

More than 3,000 solutions – available from stock. Discover what's behind it! The Pöppelmann **KAPSTO® product range** with unique product and service benefits.



PREMIUM QUALITY.



FLEXIBLE.



SAFE.



RESISTANT.



PRACTICAL.



RELIABLE.



EFFICIENT.



INDIVIDUAL.

Contents

Overview of KAPSTO® products

Product overview	03 – 05
Caps – for External Protection	06 – 43
Protective Caps	06 – 32
Grip Caps	33 – 37
Screw Caps	38 – 43
Plugs – for Internal Protection	44 – 99
Protective Plugs	44 – 71
Grip Plugs	72 – 80
Screw Plugs	81 – 92
Flange Covers	93 – 99
Materials and Colours	100 – 101
Non Standard range and tailored solutions	102 – 105
Service benefits and companies	106 – 115
The KAPSTO® service benefits	108 – 109
The company Pöppelmann	110 – 111
The business divisions K-TECH®, FAMAC® and TEKU®	112 – 115

Many versions. Many benefits: Your KAPSTO® seals of quality at a glance.



Standard protection.



Time-saving.



Temperature resistant.



Leak Proof.



Robust.



Multi Functional.



Additional information.



PÖPPELMANN

We will be happy to advise you: +49 4442 982-9100

KAPSTO®

External Protection Caps

Protective Caps



Protective Caps
GPN 200 Type A
Page 7



Protective Caps
GPN 200 Type B
Page 8



Protective Caps
GPN 205
Page 9



Protective Caps
GPN 240
Page 10



Protective Caps
for Pipes
GPN 250
Page 11



Protective Caps
GPN 255
Page 12



End Caps
GPN 280
Page 13



Shaft Protection
GPN 290
Page 14



Closures
GPN 350
Page 15



Tapered Closures
GPN 600
Page 17



Universal Protection
GPN 610
Page 20



Universal Protection
GPN 620
Page 22



Protective Covers
GPN 695
Page 23



Closures
GPN 900
Page 24



Protective Dust Caps
GPN 920 Type B
Page 25



Protective Plugs
GPN 950
Page 26



Grease Nipple Caps
GPN 980 Type A
Page 27



Grease Nipple Caps
GPN 980 Type B
Page 27



Grease Nipple Caps
GPN 985 Type A
Page 28



Grease Nipple Caps
GPN 985 Type B
Page 28



Hexagonal Caps
GPN 1000
Page 29



Snap-on Caps
GPN 1010
Page 30



Hexagonal Caps
GPN 1050
Page 31



Identification Plates
GPN 1070
Page 32

Grip Caps



Grip Caps
GPN 210
Page 34



Flexible Grip Caps
GPN 211
Page 35



Grip Caps
GPN 215
Page 36



Fast-fit Caps
GPN 940
Page 37

Screw Caps



Screw Caps
GPN 800
Page 39



Screw Caps
GPN 801
Page 41



Screw Cap with
Sealing Ring
GPN 804
Page 42



Protective Dust Caps
GPN 930 Type B
Page 43



PÖPPELMANN

Contact, product search and sample requests: www.poeppelmann.com

KAPSTO®

Internal Protection Plugs

Protective Plugs



QC-Plugs
GPN 245
Page 45



Square Plugs
GPN 260
Page 46



Rectangular Plugs
GPN 270
Page 47



Closure Plugs
GPN 300 F
Page 49



Closure Plugs
GPN 300 V
Page 50



Finned Plugs
GPN 320
Page 52



Covers
GPN 340
Page 53



Closures
GPN 350
Page 54



Tapered Plugs
GPN 500
Page 56



Screw-in Plugs
GPN 550
Page 57



Screw-in Plugs
GPN 551
Page 58



Tapered Closures
GPN 600
Page 59



Tapered Plugs
GPN 605
Page 62



Pull Plugs
GPN 606
Page 63



Universal Protection
GPN 610
Page 64



Universal Protection
GPN 620
Page 66



Closures
GPN 900
Page 67



Covers
GPN 910
Page 68



Sealing Plugs
GPN 915
Page 69



Protective Dust Plugs
GPN 920 Type A
Page 70



Protective Plugs
GPN 950
Page 71

Grip Plugs



Grip Plugs
GPN 305
Page 73



Grip Plugs
GPN 310
Page 74



Grip Plugs
GPN 315
Page 75



Grip Plugs
GPN 330
Page 76



Grip Closures
GPN 335
Page 77



Contact Protection
GPN 360
Page 78



Universal Protection
with Ring Lug
GPN 615
Page 79



Grip Plugs
GPN 630
Page 80



PÖPPELMANN

We will be happy to advise you: +49 4442 982-9100

KAPSTO®

Internal Protection Plugs

Screw Plugs



Screw Plugs
GPN 700 / 703
Page 82 / 83



Screw Plugs
GPN 710
Page 84



Screw Plugs
GPN 720 Type A
Page 85



Screw Plugs
GPN 720 Type B
Page 86



Sealing Screw Plugs
GPN 730
Page 87



Sealing Screw Plugs
GPN 735
Page 88



Sealing Screw Plugs
GPN 736
Page 89



Sealing Screw Plugs
with O-Ring GPN 737
Page 90



Sealing Screw Plugs
with O-Ring GPN 738
Page 91



Protective Dust Plugs
GPN 930 Type A
Page 92

Flange Covers



Flange Covers
GPN 640
Page 94



Flange Covers
GPN 650
Page 95



Flange Covers
GPN 655
Page 96



Flange Covers
GPN 670
Page 97



Flange Caps
GPN 680
Page 98



Protective Caps
GPN 690
Page 99

Non standard range

Even more choice – Short leadtimes.



Sealing ring
Page 102



Tapered plugs
with tab
Page 102



Double plugs
Page 102

Tailored solutions

Protective parts, made to measure.



Grip caps for
soldered bushes
Page 104



Cover for coaxial
contacts
Page 104



PÖPPELMANN

Contact, product search and sample requests: www.poeppelmann.com

KAPSTO®

Protective Caps



Premium quality. Just like our high-tech serial production.

450 injection moulding machines, thermoforming machines, and extruders enable us to manufacture our premium products in an environmentally friendly manner. Come and visit our production facility to see for yourself.

Discover what's behind it! Our unique **product and service benefits:**

- ⊕ Standard product range with more than 3,000 versions – available from stock.
- ⊕ No minimum order quantities, no standard packaging sizes.
- ⊕ Free samples.
- ⊕ Development and production of bespoke solutions on request.
- ⊕ Application advice, catalogue requests and orders: **+49 4442 982-9100.**



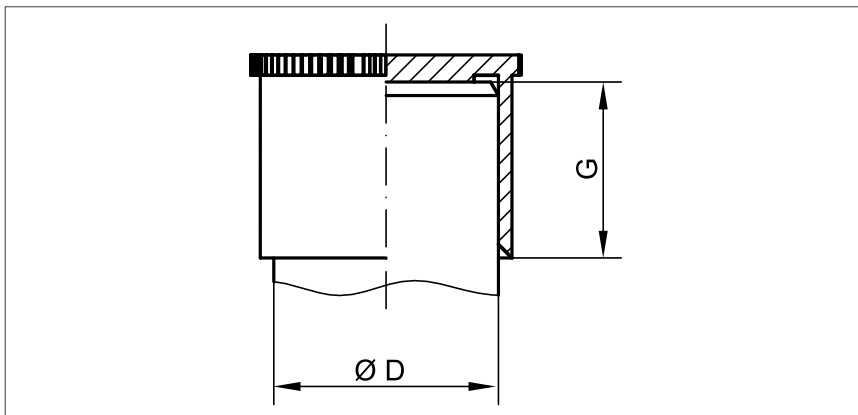
PÖPPELMANN

We will be happy to advise you: **+49 4442 982-9100**

KAPSTO®

Protective Caps

GPN 200 Type A



Suitable for external application D	G	Order no.
5.0	13.0	200 Z 5 x 13
5.0	20.0	200 Z 5 x 20
6.0	10.0	200 Z 6 x 10
6.0	16.0	200 Z 6 x 16
6.0	31.0	200 Z 6 x 31
7.0	15.5	200 Z 7 x 16
8.0	10.0	200 Z 8 x 10
8.0	16.0	200 Z 8 x 16
8.0	30.0	200 Z 8 x 30
9.0	11.5	200 Z 9 x 12
9.0	16.0	200 Z 9 x 16
10.0	6.0	200 Z 10 x 6
10.0	10.0	200 Z 10 x 10
10.0	22.0	200 Z 10 x 22
10.0	28.0	200 Z 10 x 28
10.0	33.0	200 Z 10 x 33
12.0	10.0	200 Z 12 x 10
12.0	16.0	200 Z 12 x 16
12.0	35.0	200 Z 12 x 35
12.5	20.0	200 Z 12.5 x 20
14.0	8.0	200 Z 14 x 8
14.0	10.0	200 Z 14 x 10
14.0	15.0	200 Z 14 x 15
14.0	20.0	200 Z 14 x 20
14.0	38.0	200 Z 14 x 38
14.5	15.0	200 Z 14.5 x 15

Suitable for external application D	G	Order no.
16.0	8.0	200 Z 16 x 8
16.0	15.0	200 Z 16 x 15
16.0	20.0	200 Z 16 x 20
16.0	25.0	200 Z 16 x 25
18.0	15.0	200 Z 18 x 15
18.0	20.0	200 Z 18 x 20
20.0	14.0	200 Z 20 x 14
20.0	20.0	200 Z 20 x 20
22.0	18.0	200 Z 22 x 18
22.0	30.0	200 Z 22 x 30
24.0	18.0	200 Z 24 x 18
27.0	20.0	200 Z 27 x 20
28.0	20.0	200 Z 28 x 20
30.0	22.0	200 Z 30 x 22
32.0	22.0	200 Z 32 x 22
33.0	25.0	200 Z 33 x 25
35.0	25.0	200 Z 35 x 25
36.0	25.0	200 Z 36 x 25
38.0	25.0	200 Z 38 x 25
39.0	27.0	200 Z 39 x 27
40.0	27.0	200 Z 40 x 27
42.0	27.0	200 Z 42 x 27
45.0	30.0	200 Z 45 x 30
48.0	30.0	200 Z 48 x 30
50.0	30.0	200 Z 50 x 30



Additional information:

Cylindrical caps with easy-to-grip knurled collar for protection of threaded studs, pipe ends, and shafts.

Material:

Polyethylene (PE-LD)

Colour:

Natural

Size in mm

Additional dimensions, heat-resistant types, and bespoke designs available on request, see "Materials and Colours" on page 100.

Suitable for		G	Order no.
External threads	External diameter D		
G 1/4	13.0	15.0	200 G 1/4
G 3/8	16.5	13.0	200 G 3/8
G 1/2	21.0	15.0	200 G 1/2
G 3/4	26.5	16.5	200 G 3/4
G 1	33.0	19.5	200 G 1



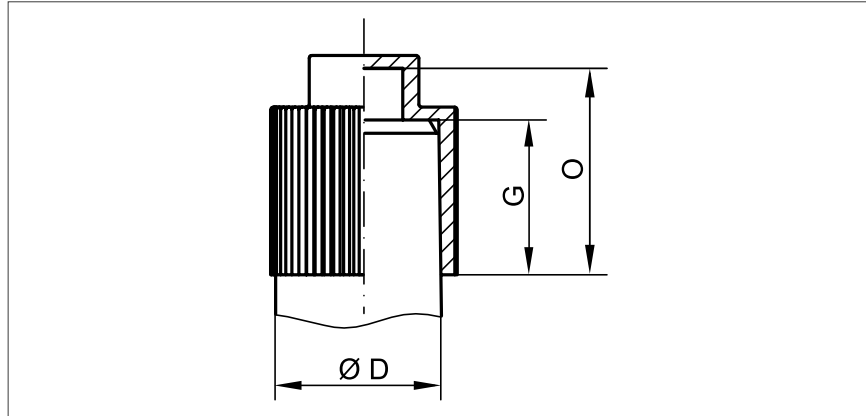
PÖPPELMANN

Contact, product search and sample requests: www.poeppelmann.com

KAPSTO®

Protective Caps

GPN 200 Type B



Suitable for		Dimensions		Order no.
External threads	External diameter D	G	O	
M 12 x 1.5	12.0	12.0	16.0	200 / 1040
M 20 x 1.5	20.0	20.0	26.0	200 / 0790
R 1/4	13.0	12.0	16.0	200 / 1041
R 1/2	21.0	20.0	26.0	200 / 0791

Size in mm

Additional dimensions, heat-resistant types, and bespoke designs available on request, see "Materials and Colours" on page 100.

Your KAPSTO® quality benefits:



Standard protection:

Designed for male end connectors in accordance with DIN EN 837-1 and DIN EN 837-3. 837-3.



Additional information:

Easy-to-grip knurled outer wall for easy removal.

Material:

Polyethylene (PE-LD)

Colour:

Natural



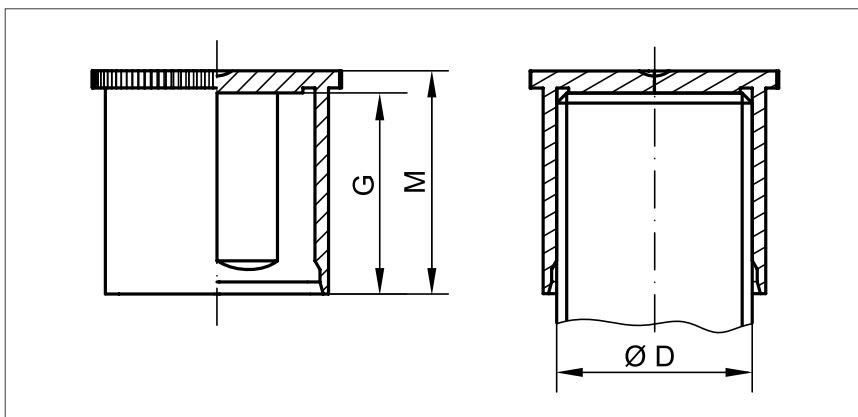
PÖPPELMANN

We will be happy to advise you: +49 4442 982-9100

KAPSTO®

Protective Caps

GPN 205



Suitable for External diameter	Dimensions		Order no.
D	G	M	
10.0	12.2	14.2	205 K 10 x 12
12.0	12.2	14.2	205 K 12 x 12
14.0	14.2	16.2	205 K 14 x 14
16.0	16.2	18.2	205 K 16 x 16
18.0	18.2	20.2	205 K 18 x 18
20.0	20.2	22.2	205 K 20 x 20
22.0	22.2	24.2	205 K 22 x 22
9.7	12.2	14.2	205 G 1/8
13.2	14.2	16.2	205 G 1/4
16.7	18.2	20.2	205 G 3/8
21.0	21.2	23.2	205 G 1/2
23.0	22.2	24.2	205 G 5/8
26.4	22.2	24.2	205 G 3/4
33.3	23.2	25.2	205 G 1

Size in mm

Additional dimensions, heat-resistant types, and bespoke designs available on request, see "Materials and Colours" on page 100.

Application Guide

Suitable for metric threads			Pipe thread	Order no.
Standard thread	Fine thread			
M 10	M 10 x 1	M 10 x 1.25		205 K 10 x 12
M 12	M 12 x 1	M 12 x 1.25	M 12 x 1.5	205 K 12 x 12
M 14	M 14 x 1		M 14 x 1.5	205 K 14 x 14
M 16	M 16 x 1		M 16 x 1.5	205 K 16 x 16
M 18	M 18 x 1		M 18 x 1.5	205 K 18 x 18
M 20	M 20 x 1		M 20 x 1.5	205 K 20 x 20
M 22	M 22 x 1		M 22 x 1.5	205 K 22 x 22
			G 1/8	205 G 1/8
			G 1/4	205 G 1/4
			G 3/8	205 G 3/8
			G 1/2	205 G 1/2
			G 5/8	205 G 5/8
			G 3/4	205 G 3/4
			G 1	205 G 1

This application table is a guide only. We will be happy to send you free samples for testing. For apertures and bore holes without thread, please use dimensions B and C. Other dimensions and bespoke designs available on request, see "Materials and Colours" on page 100.



Your KAPSTO® quality benefits:



Multi Functional: Flexible material in combination with internal clamping surfaces help to accommodate larger tolerances.



Additional information: Suitable for studs, external threads, and pins. Easy-to-grip knurled collar and clamping surfaces for firm fit and low-abrasion removal.

Material:

Ethylene vinyl acetate (EVA), free from plasticisers

Colour:

Yellow



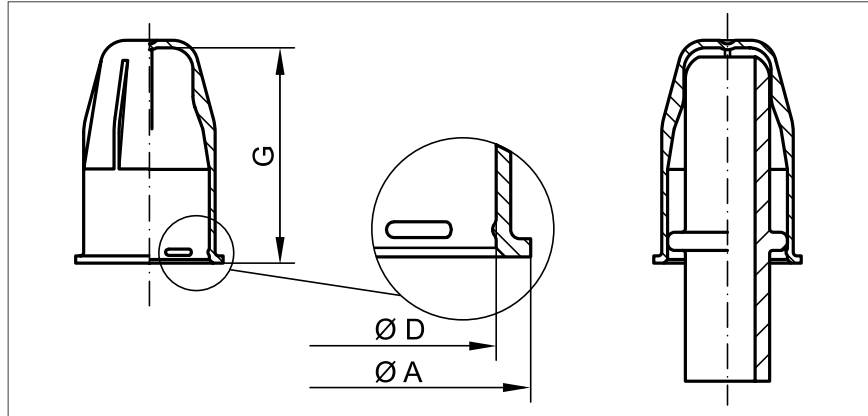
PÖPPELMANN

Contact, product search and sample requests: www.poeppele.com

KAPSTO®

Protective Caps

GPN 240



Suitable for SAE connectors Nominal width	A	D	G	Order no.
8.0	14.7	10.9	24.7	240 MT 8
9.5	16.7	12.9	25.1	240 MT 9.5
10.0	17.2	13.4	27.8	240 MT 10
12.0	20.3	16.5	29.6	240 MT 12
18.0	24.8	21.0	29.6	240 MT 18

Size in mm

Additional dimensions, heat-resistant types, and bespoke designs available on request, see "Materials and Colours" on page 100.

Your KAPSTO® quality benefits:



Standard protection:

For protecting the mating surfaces of SAE quick-connect plugs



Leak Proof: Suitable for pressure testing depending on the application.



Additional information:

The sealing surface of the SAE connector remains untouched.

Material:

Polyethylene (PE-LLD)

Colour:

Yellow

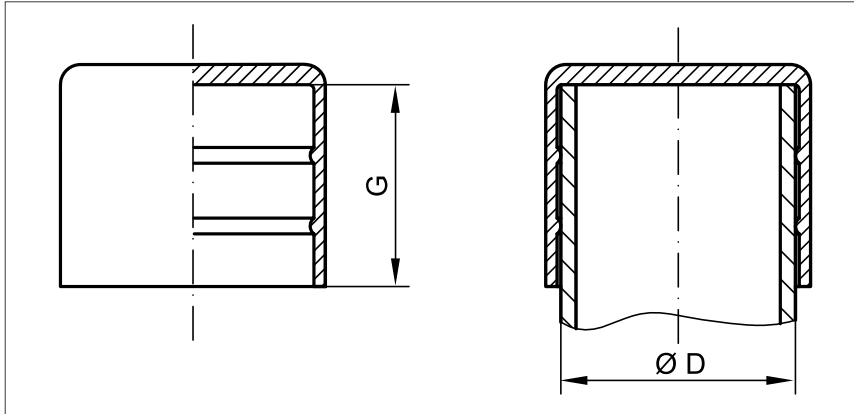


PÖPPELMANN

We will be happy to advise you: +49 4442 982-9100

KAPSTO®

Protective Caps for Pipes GPN 250



Suitable for external			
diameter D	thread	G	Order no.
4.0		19.5	250 / 4
8.0		14.0	250 / 8
10.2	G 1/8	19.5	250 / 10.2
12.0		20.0	250 / 12
13.5	G 1/4	20.0	250 / 13.5
14.0		20.0	250 / 14
15.0		19.5	250 / 15
16.0		20.0	250 / 16
16.8		19.5	250 / 16.75
17.2	G 3/8	20.5	250 / 17.2
18.0		20.0	250 / 18
20.0		20.0	250 / 20
21.3	G 1/2	20.0	250 / 21.3
22.0		20.0	250 / 22
24.0		20.0	250 / 24
25.0		20.0	250 / 25
26.0		27.0	250 / 26
26.9	G 3/4	27.5	250 / 26.9
28.0		27.0	250 / 28
30.0		27.5	250 / 30
31.8		27.5	250 / 32
32.5		15.0	250 / 32.5
33.7	G 1	28.0	250 / 33.7
35.0		27.0	250 / 35
38.0		27.0	250 / 38
40.0		27.0	250 / 40
41.5		27.0	250 / 41.5
42.4	G 1 1/4	35.5	250 / 42.4
44.5	G 1 3/8	35.0	250 / 44.5
48.3	G 1 1/2	35.0	250 / 48.3
50.0		34.5	250 / 50

Suitable for external			
diameter D	thread	G	Order no.
51.0		35.0	250 / 51
54.0	G 1 3/4	35.0	250 / 54
57.0		35.0	250 / 57
60.3	G 2	36.0	250 / 60
63.5		35.0	250 / 63.5
70.0		36.0	250 / 70
73.0		34.0	250 / 73
76.1	G 2 1/2	36.0	250 / 76
82.5	G 2 3/4	35.0	250 / 83
87.9	G 3	34.5	250 / 87.9
88.9		35.0	250 / 89
95.0		35.0	250 / 95
101.6		34.5	250 / 102
108.0		34.5	250 / 108
113.0	G 4	40.5	250 / 113
114.3		35.5	250 / 114.3
121.0		34.5	250 / 121
127.0	G 4 1/2	34.5	250 / 127
130.0		34.5	250 / 130
133.0		34.5	250 / 133
139.7	G 5	34.5	250 / 139.7
146.0		35.0	250 / 146
152.4	G 5 1/2	35.0	250 / 152.4
159.0		34.5	250 / 159
168.3	G 6	34.5	250 / 168.3
174.9		20.0	250 / 174.9
219.0	G 8	41.0	250 / 219
273.0	G 10	41.5	250 / 273
323.9	G 12	45.5	250 / 323.9
355.6	G 14	54.0	250 / 355.6
406.4	G 16	53.0	250 / 406.4



Size in mm

Additional dimensions, heat-resistant types, and bespoke designs available on request, see "Materials and Colours" on page 100.

Your KAPSTO® quality benefits:



Standard protection:

Protection for pipes in accordance with DIN EN 10220, DIN EN 10255, and DIN EN ISO 1127.



Robust: Thick-walled design for higher demands.



Additional information:

Discontinuous internal beads, offset by 180° degrees, permit venting and pressure equalisation.

Material:

Polyethylene (PE-LD)

Material from GPN 250 / 219:

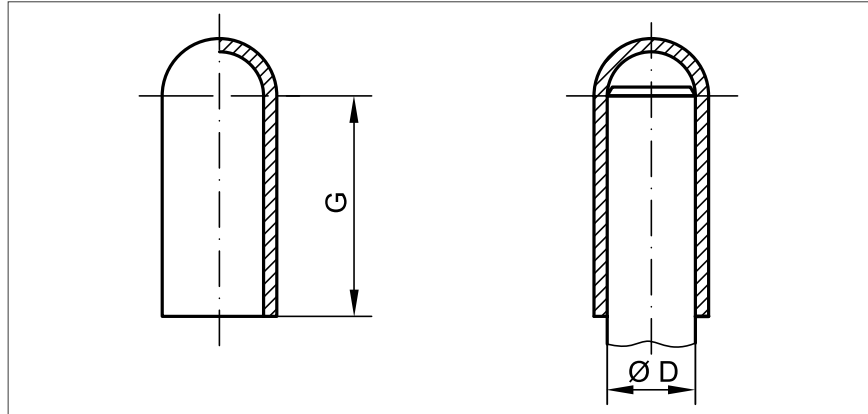
Polyethylene (PE-LLD)

Colour:

Yellow

Protective Caps

GPN 255



Your KAPSTO® quality benefits:



Temperature resistant:
Extremely heat resistant up to 250 °C. More details: page 101, "Physical properties".



Robust: Highly tear-resistant material for increased demands.



Multi Functional: Flexible material for accommodating larger tolerances.



Additional information:
Protection for studs and pipe ends.

Material:
Silicone (SI)
Colour:
Natural

Suitable for External diameter D	G	Order no.
2.0	25.4	255 / 2
2.5	19.0	255 / 2.5
3.0	25.4	255 / 3
3.5	25.4	255 / 3.5
4.0	25.4	255 / 4
5.0	25.4	255 / 5
6.0	38.1	255 / 6
8.0	38.1	255 / 8
10.0	38.1	255 / 10
12.0	38.1	255 / 12
14.0	38.1	255 / 14
15.0	38.1	255 / 15
16.0	38.1	255 / 16
17.0	38.1	255 / 17
18.0	38.1	255 / 18
20.0	38.1	255 / 20
22.0	38.1	255 / 22
24.0	38.1	255 / 24
25.0	38.1	255 / 25
27.0	38.1	255 / 27
30.0	38.1	255 / 30
33.0	38.1	255 / 33
36.0	44.5	255 / 36
39.0	44.5	255 / 39
42.0	50.8	255 / 42
45.0	50.8	255 / 45
48.0	50.8	255 / 48
52.0	50.8	255 / 52

Size in mm

Additional dimensions, heat-resistant types, and bespoke designs available on request, see "Materials and Colours" on page 100.



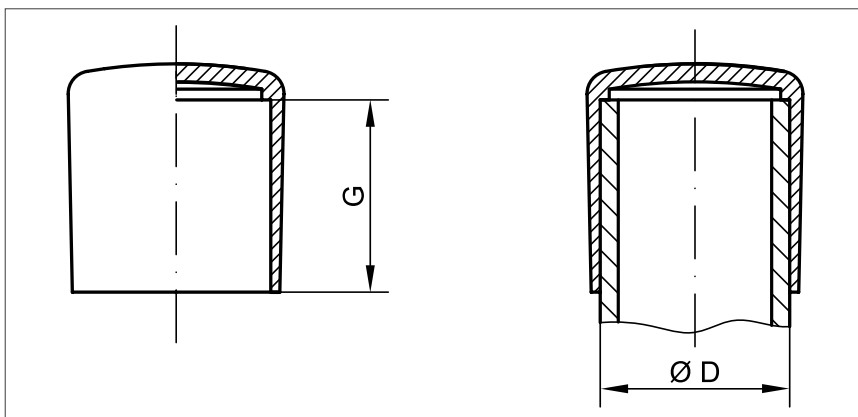
PÖPPELMANN

We will be happy to advise you: +49 4442 982-9100

KAPSTO®

End Caps

GPN 280



Suitable for External diameter D	G	Order no.
3.0	8.0	280 ER 3
4.0	8.1	280 ER 4
5.0	7.7	280 ER 5
6.0	8.6	280 ER 6
7.0	9.0	280 ER 7
8.0	9.4	280 ER 8
10.0	11.0	280 ER 10
11.0	12.9	280 ER 11
12.0	12.3	280 ER 12
13.0	13.2	280 ER 13
14.0	12.8	280 ER 14
15.0	14.7	280 ER 15
16.0	16.4	280 ER 16
18.0	19.7	280 ER 18
20.0	20.1	280 ER 20
21.0	21.3	280 ER 21
22.0	20.6	280 ER 22
24.0	22.7	280 ER 24
25.0	22.3	280 ER 25
26.0	23.5	280 ER 26
27.0	25.3	280 ER 27
28.0	24.8	280 ER 28
30.0	24.8	280 ER 30
32.0	26.4	280 ER 32

Size in mm

Additional dimensions, heat-resistant types, and bespoke designs available on request, see "Materials and Colours" on page 100.



Your KAPSTO® quality benefits:



Robust: Reinforced base for increased demands.

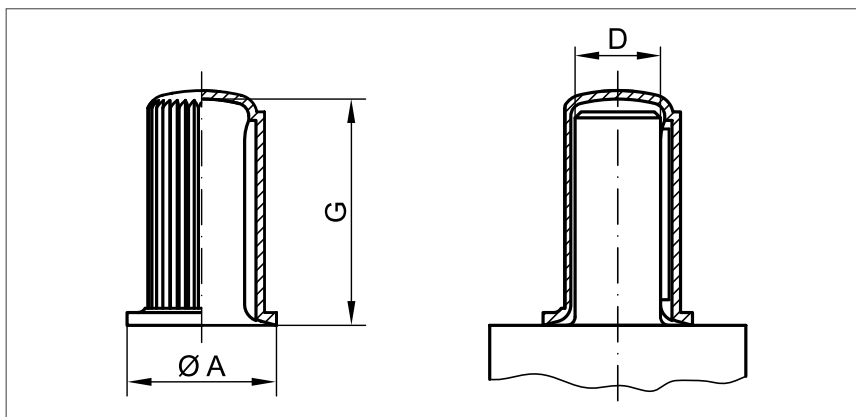


Additional information: Suitable for pipes; particularly suitable as gliders for furniture and equipment.

Material:
Polyethylene (PE-LD)
Colour:
Black

Shaft Protection

GPN 290



Suitable for External diameter D	A	G	Order no.
9.0	14.5	22.0	290 / 009
11.0	17.5	26.3	290 / 011
14.0	22.5	33.5	290 / 014
15.0	25.5	31.0	290 / 015
16.0	25.5	44.5	290 / 016
19.0	30.5	45.0	290 / 019
20.0	32.0	58.0	290 / 020
22.0	35.5	56.8	290 / 022
24.0	38.5	57.0	290 / 024
25.0	40.0	69.0	290 / 025
28.0	45.0	69.0	290 / 028
30.0	48.0	91.3	290 / 030
32.0	51.0	91.8	290 / 032
35.0	56.0	91.0	290 / 035
38.0	61.0	91.0	290 / 038
42.0	67.0	125.5	290 / 042
45.0	72.0	115.5	290 / 045
48.0	77.0	126.0	290 / 048
55.0	88.0	125.8	290 / 055
60.0	96.0	160.5	290 / 060
75.0	112.0	165.0	290 / 075

Your KAPSTO® quality benefits:



Standard protection:

Protection for shaft ends in accordance with DIN EN 748-1 and DIN EN 50347.



Additional information:

Also secures the feather key.

Material:

Polyethylene (PE-LD)

Colour:

Yellow

Size in mm

Additional dimensions, heat-resistant types, and bespoke designs available on request, see "Materials and Colours" on page 100.



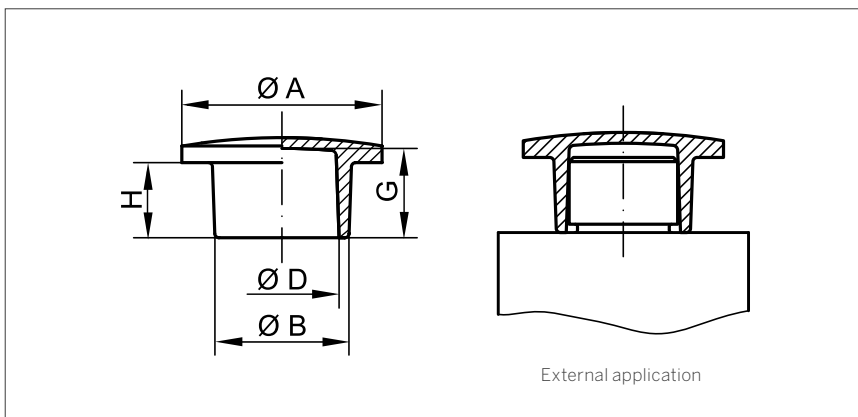
PÖPPELMANN

We will be happy to advise you: +49 4442 982-9100

KAPSTO®

Closures

GPN 350



Dimensions					Order no.
A	B	H	External application		
			D	G	
13.0	6.2	6.0	3.8	7.3	350 12
13.0	6.4	9.0	5.0	10.8	350 13
13.0	7.1	6.0	4.7	7.8	350 14
13.0	8.2	6.0	5.8	7.8	350 15
13.0	7.8	9.0	6.0	10.8	350 16
13.0	9.3	6.0	7.7	7.3	350 17
16.0	10.4	8.0	8.1	9.2	350 18
16.0	10.4	11.0	8.0	12.8	350 19
16.0	10.8	8.0	8.8	9.8	350 110
16.0	11.3	8.0	9.4	9.3	350 111
16.0	11.9	13.0	9.7	14.5	350 112
16.0	11.9	8.0	9.7	9.2	350 113
19.0	12.9	8.0	10.9	9.8	350 114
19.0	13.7	8.0	11.7	9.8	350 115
19.0	14.0	16.0	11.7	17.7	350 116
19.0	14.5	8.0	12.5	9.3	350 117
19.0	15.0	8.0	13.0	9.3	350 118
24.0	15.9	9.0	13.7	10.7	350 120
24.0	17.0	9.0	14.7	10.6	350 121
24.0	17.8	22.0	14.7	23.3	350 122
24.0	17.7	9.0	15.7	10.7	350 123
24.0	18.3	9.0	16.5	10.7	350 124
26.0	19.9	10.0	17.7	12.2	350 125
26.0	20.9	10.0	18.7	12.2	350 126
26.0	21.5	26.0	18.7	28.2	350 127
26.0	22.0	10.0	19.7	12.2	350 128
26.0	22.7	10.0	20.5	12.2	350 129
29.0	23.2	10.0	21.2	12.2	350 130
29.0	23.7	10.0	21.7	12.2	350 131
29.0	24.4	10.0	23.0	12.2	350 132
29.0	25.0	10.0	23.7	12.2	350 133
33.0	26.3	11.0	24.9	13.2	350 135
33.0	27.2	11.0	25.2	13.2	350 136
33.0	28.3	11.0	25.7	13.2	350 137
33.0	29.3	11.0	26.9	12.5	350 138
36.0	30.1	11.0	27.9	12.6	350 139
36.0	30.4	11.0	28.3	13.2	350 140
36.0	32.0	11.0	29.7	12.5	350 141

Size in mm

► Continued on page 16

Additional dimensions, heat-resistant types, and bespoke designs available on request, see "Materials and Colours" on page 100.



Your KAPSTO® quality benefits:



Multi Functional: Can be used as plug or cap.



Additional information: Suitable for bore holes, studs, conductors, and threads.

Material:
Polyethylene (PE-LD)
Colour:
Natural



PÖPPELMANN

Contact, product search and sample requests: www.poeppelelmann.com

KAPSTO®

Closures

GPN 350



Your KAPSTO® quality benefits:



Multi Functional: Can be used as plug or cap.



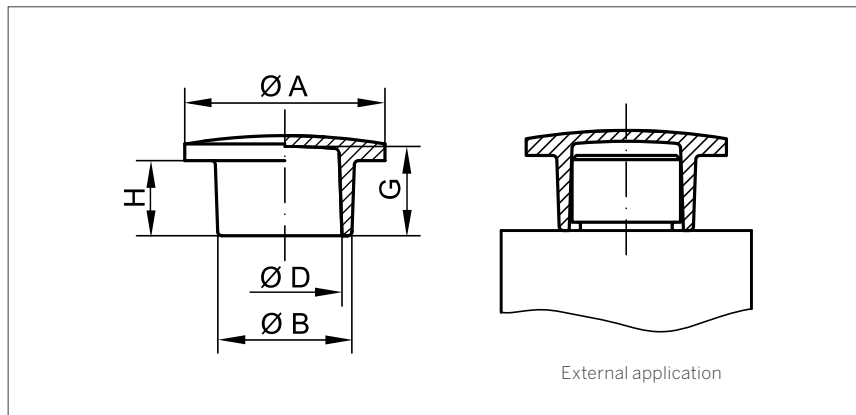
Additional information: Suitable for bore holes, studs, conductors, and threads.

Material:

Polyethylene (PE-LD)

Colour:

Natural



◀ Continued from page 15

Dimensions			External application		Order no.
A	B	H	D	G	
36.0	32.8	11.0	30.5	13.2	350 142
42.0	33.9	12.0	31.5	14.2	350 143
42.0	34.5	12.0	32.5	14.2	350 144
42.0	35.3	12.0	32.4	14.2	350 145
42.0	36.5	12.0	34.7	14.2	350 146
45.0	38.0	12.0	35.7	14.2	350 147
45.0	38.9	12.0	36.7	14.2	350 148
45.0	39.4	12.0	37.5	14.2	350 149
45.0	40.2	12.0	38.5	14.2	350 150
50.0	41.8	12.0	39.5	13.7	350 151
50.0	43.7	12.0	41.5	14.2	350 152
50.0	44.8	12.0	42.0	14.2	350 153
56.0	46.8	12.0	44.5	13.7	350 154
55.0	48.3	12.0	46.3	14.2	350 1541
56.0	48.7	12.0	46.7	14.2	350 155
56.0	50.5	20.0	47.5	22.2	350 156
62.0	54.0	13.0	51.5	14.2	350 157
65.0	60.8	18.0	58.0	18.0	350 1571
72.0	62.5	14.0	59.2	16.0	350 158
85.0	79.5	18.0	76.5	18.0	350 1581
88.0	75.6	14.0	72.9	16.5	350 159
92.0	88.5	20.0	85.0	20.0	350 160

Size in mm

Additional dimensions, heat-resistant types, and bespoke designs available on request, see "Materials and Colours" on page 100.



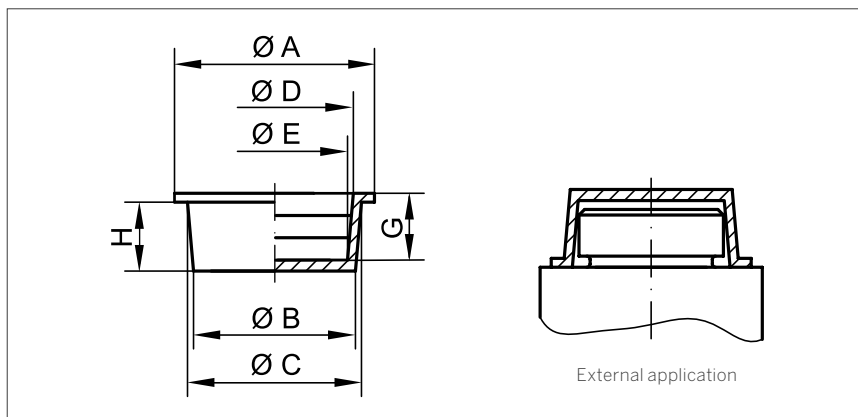
PÖPPELMANN

We will be happy to advise you: +49 4442 982-9100

KAPSTO®

Tapered Closures

GPN 600



Dimensions							Order no.
A	B	C	H	External application			
				D	E	G	
11.0	8.1	9.2	7.2	7.8	6.6	7.0	600 B 81
12.0	9.8	11.0	7.2	9.6	8.4	7.0	600 B 98
14.0	10.6	11.6	7.0	10.0	8.8	6.9	600 B 106
15.0	11.4	12.4	7.0	11.2	10.0	6.8	600 B 114
16.0	13.3	14.4	7.0	12.8	11.6	6.8	600 B 133
17.0	14.0	15.1	7.2	13.6	12.4	6.9	600 B 140
18.0	14.6	15.6	7.2	14.5	13.3	6.9	600 B 146
18.0	15.3	16.4	7.0	14.8	13.6	7.0	600 B 153
20.0	16.0	17.3	9.0	16.2	14.6	8.8	600 B 160
21.0	17.4	18.8	9.2	18.0	16.4	8.8	600 B 174
22.0	18.2	19.6	9.0	18.8	17.2	8.8	600 B 182
24.0	18.7	20.0	9.2	19.0	17.7	8.7	600 B 187
24.0	19.8	21.2	8.8	19.7	18.3	8.8	600 B 198
25.0	20.3	22.6	14.0	20.8	18.4	13.8	600 B 203
26.0	21.2	23.3	14.2	22.0	19.6	14.0	600 B 212
28.0	23.0	25.0	14.0	24.0	21.6	13.8	600 B 230
30.0	24.3	26.4	14.0	25.0	22.6	13.6	600 B 243
30.0	25.7	27.8	14.2	26.8	24.4	13.8	600 B 257
32.0	27.2	29.3	14.0	27.0	24.6	13.8	600 B 272
35.0	30.0	32.0	14.0	30.6	28.4	13.8	600 B 300
38.0	32.0	34.0	14.0	32.0	29.6	14.0	600 B 320
40.0	33.6	36.0	14.0	34.0	31.6	14.0	600 B 336
41.0	34.5	37.0	14.0	35.0	32.6	14.0	600 B 345
42.0	35.5	38.1	14.0	35.5	33.1	14.0	600 B 355
42.0	36.0	38.4	14.0	36.0	33.6	14.0	600 B 360
44.0	37.9	40.0	13.8	38.0	35.6	13.8	600 B 379
43.0	38.5	41.0	14.0	39.5	37.1	14.0	600 B 385
46.0	39.8	42.0	14.0	39.5	37.1	14.0	600 B 398
47.0	41.3	43.5	14.0	41.5	39.1	14.0	600 B 413
51.5	43.9	46.0	13.5	42.0	40.2	13.6	600 B 439
52.0	45.5	47.5	13.5	45.0	43.0	13.6	600 B 455
54.0	47.9	50.0	13.5	46.5	44.1	13.6	600 B 479
56.0	49.8	51.6	13.3	48.5	46.1	13.5	600 B 498
55.0	50.5	53.3	14.0	51.3	48.8	14.2	600 B 505
58.0	52.5	54.9	13.5	52.5	50.6	13.5	600 B 525
60.0	54.5	56.2	13.5	54.0	51.6	13.5	600 B 545
61.0	55.5	58.0	13.6	55.0	52.6	13.5	600 B 555
63.0	57.0	59.0	13.4	56.8	54.5	13.5	600 B 570
64.0	58.5	60.8	13.5	58.0	55.6	13.5	600 B 585
66.0	60.5	63.0	13.5	60.0	57.6	14.0	600 B 605
67.0	61.3	63.5	13.0	61.0	58.6	13.5	600 B 613
68.0	62.5	64.8	13.2	62.0	59.6	13.5	600 B 625
69.0	63.5	65.7	13.0	63.0	60.1	13.5	600 B 635
71.0	65.0	67.3	13.0	64.5	62.3	13.3	600 B 650
72.0	66.0	67.5	13.0	65.0	62.6	13.0	600 B 660
74.0	67.9	69.5	13.0	67.0	64.6	13.5	600 B 679
75.0	69.8	71.7	13.0	68.0	66.0	13.5	600 B 698
77.0	71.5	73.4	13.0	70.0	67.6	13.0	600 B 715
79.0	72.8	74.0	13.0	70.0	67.6	13.5	600 B 728
85.0	74.0	76.6	17.0	73.0	69.9	17.0	600 B 740
87.0	76.5	79.0	16.8	76.5	73.4	17.0	600 B 765
88.0	77.5	80.0	17.0	76.0	72.9	17.2	600 B 775

Size in mm

► Continued on page 18

Additional dimensions, heat-resistant types, and bespoke designs available on request, see "Materials and Colours" on page 100.



Your KAPSTO® quality benefits:



Multi Functional: Can be used universally as plug or cap. The tapered design is ideal for accommodating tolerances.



Additional information: To close off bore holes and internal threads, or to protect studs and external threads.

Material:

Polyethylene (PE-LD)

Material from GPN 600 B 915:

Polyethylene (PE-LLD)

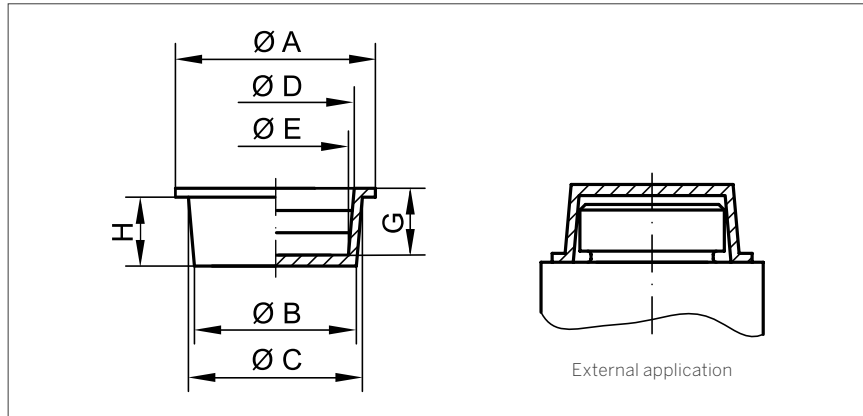
Colour:

Natural


PÖPPELMANN

 Contact, product search and sample requests: www.poeppelemann.com
KAPSTO®

Tapered Closures GPN 600



◀ Continued from page 17

				Dimensions			Order no.
A	B	C	H	External application			
				D	E	G	
90.0	79.0	82.0	17.0	78.0	75.4	17.2	600 B 790
92.0	81.5	83.6	16.5	80.0	76.9	17.0	600 B 815
89.5	82.0	86.0	23.0	83.9	79.7	23.5	600 B 820
95.0	84.0	87.1	16.5	83.0	79.9	17.0	600 B 840
97.0	86.5	89.0	17.5	86.0	82.9	18.0	600 B 865
100.0	89.0	91.5	17.0	89.0	86.5	17.5	600 B 890
102.0	91.5	94.0	17.0	92.0	88.9	17.5	600 B 915
105.0	94.0	96.0	17.0	92.0	90.0	17.5	600 B 940
107.0	96.5	99.0	17.0	96.0	92.9	17.5	600 B 965
110.0	99.0	102.5	17.0	99.0	95.9	17.5	600 B 990
112.0	101.5	104.0	17.0	102.0	98.9	17.3	600 B 1015
115.0	104.0	106.5	17.0	104.0	100.9	17.5	600 B 1040
117.0	106.5	109.0	17.0	106.0	102.9	17.2	600 B 1065
120.0	109.0	111.0	17.0	108.0	105.0	17.5	600 B 1090
123.0	112.0	114.5	17.0	112.5	109.4	17.0	600 B 1120
125.0	114.0	117.0	16.6	114.5	111.4	17.2	600 B 1140
124.5	114.3	119.2	28.0	117.1	112.1	28.7	600 B 1143
130.0	119.0	123.0	23.0	120.2	116.1	23.0	600 B 1190
134.0	124.0	128.0	23.0	123.0	119.1	23.0	600 B 1240
137.6	127.5	130.6	23.0	127.6	123.6	22.5	600 B 1275
140.0	129.0	133.0	23.0	130.2	126.1	23.5	600 B 1290
143.0	133.0	137.0	23.0	133.0	129.0	22.5	600 B 1330
149.0	139.0	143.0	23.0	139.0	135.0	23.0	600 B 1390
159.5	146.8	152.6	33.0	149.9	144.0	33.5	600 B 1468
159.0	149.0	153.0	23.0	148.0	144.1	23.3	600 B 1490
163.6	153.5	157.5	23.0	153.6	149.6	23.0	600 B 1535
169.0	159.0	162.0	23.0	158.0	154.0	23.0	600 B 1590
170.0	160.0	164.0	23.0	160.0	156.0	23.0	600 B 1600
179.0	169.0	172.0	23.0	168.0	164.0	23.0	600 B 1690
184.0	174.0	177.0	23.0	173.0	169.0	22.5	600 B 1740
189.0	179.0	182.0	23.0	178.0	174.0	23.0	600 B 1790
192.0	181.5	184.5	23.0	180.5	176.5	23.0	600 B 1815
199.5	183.6	190.6	33.0	187.9	182.0	33.8	600 B 1836
209.0	199.0	202.0	22.5	198.0	194.0	22.5	600 B 1990
212.0	202.0	205.0	23.0	202.1	198.1	23.0	600 B 2020
213.0	203.0	205.0	23.0	202.0	199.0	23.0	600 B 2030
216.0	206.0	210.6	23.5	206.0	201.6	23.5	600 B 2060
235.0	218.0	222.0	22.5	217.4	213.5	22.5	600 B 2180
242.0	225.0	229.0	23.5	225.4	221.3	23.0	600 B 2250 *
249.5	231.2	238.2	33.0	235.6	228.6	33.5	600 B 2312
267.0	249.0	252.0	22.5	248.0	244.1	22.5	600 B 2490
265.0	253.0	258.0	18.0	253.0	249.2	18.0	600 B 2530
314.0	293.4	300.2	32.5	296.7	289.8	33.0	600 B 2934
315.0	299.0	304.0	22.5	298.0	294.1	22.5	600 B 2990
326.0	308.0	313.0	21.8	308.0	303.4	21.8	600 B 3080
329.0	311.0	316.0	22.0	311.0	306.4	21.7	600 B 3110
358.0	338.0	343.0	22.0	338.0	333.4	21.8	600 B 3380
399.0	371.9	381.0	32.5	377.7	368.4	32.8	600 B 3719*
415.0	398.0	406.0	30.0	399.0	392.7	29.8	600 B 3980
455.0	435.0	443.0	30.0	437.0	430.7	30.0	600 B 4350
499.0	465.4	476.7	32.0	472.8	461.3	33.0	600 B 4654
506.0	484.0	491.0	30.0	486.0	479.7	30.0	600 B 4840

Your KAPSTO® quality benefits:



Multi Functional:
Can be used as plug or cap.
The tapered design is ideal for accommodating tolerances.



Additional information:
To close off bore holes and internal threads, or to protect studs and external threads.

Material:
Polyethylene (PE-LD)
Material from GPN 600 B 915:
Polyethylene (PE-LLD)
Colour:
Natural

Size in mm

► Application guide data for exterior use, see page 19

Additional dimensions, heat-resistant types, and bespoke designs available on request, see "Materials and Colours" on page 100.

*These sizes are supplied with bore.

Tapered Closures GPN 600

Application Guide Data for Exterior Use

Standard thread	Metric threads					Pipe thread	Order no.
	Fine thread						
M 7							600 B 81
M 9	M9x1						600 B 98
	M10.5x1						600 B 114
M 12	M12x1	M12x1.5					600 B 133
	M13x1	M13x1.5					600 B 140
M 14	M14x1	M14x1.5					600 B 146
	M15x1	M15x1.5					600 B 160
	M17x1						600 B 174
M 18	M18x1	M18x1.5	M18x2				600 B 182
	M19x1	M19x1.5	M19x2				600 B 203
						1/2	600 B 212
M 22	M22x1	M22x1.5	M22x2				600 B 230
M 24	M24x1	M24x1.5	M24x2				600 B 243
	M25x1	M25x1.5	M25x2				600 B 257
	M26x1	M26x1.5	M26x2				600 B 272
M 30	M30x1	M30x1.5	M30x2	M30x3		7/8	600 B 320
	M32x1	M32x1.5	M32x2	M32x3			600 B 336
M 33	M33x1	M33x1.5	M33x2	M33x3		1	600 B 345
	M34x1	M34x1.5	M34x2	M34x3			600 B 355
		M35x1.5					600 B 360
	M38x1	M38x1.5	M38x2	M38x3		1 1/8	600 B 385
	M38x1	M38x1.5	M38x2	M38x3		1 1/8	600 B 398
	M40x1	M40x1.5	M40x2	M40x3			600 B 413
M 45	M45x1	M45x1.5	M45x2	M45x3	M45x4		600 B 479
						1 1/2	600 B 498
	M50x1	M50x1.5	M50x2	M50x3	M50x4		600 B 505
	M50x1	M50x1.5	M50x2	M50x3	M50x4		600 B 525
						1 3/4	600 B 555
M 60	M60x1	M60x1.5	M60x2	M60x3	M60x4	2	600 B 613
M 64	M64x1	M64x1.5	M64x2	M64x3	M64x4		600 B 660
						2 1/4	600 B 679
	M75x1	M75x1.5	M75x2	M75x3	M75x4	2 1/2	600 B 765
	M78x1	M78x1.5	M78x2	M78x3	M78x4		600 B 815
						2 3/4	600 B 840
		M90x1.5	M90x2	M90x3	M90x4	M90x6	600 B 915
		M100x1.5	M100x2	M100x3	M100x4	M100x6	3 1/2 600 B 1015
		M102x1.5	M102x2	M102x3	M102x4		600 B 1040
		M110x1.5	M110x2	M110x3	M110x4	M110x6	600 B 1120
		M112x1.5	M112x2	M112x3	M112x4		600 B 1140
		M115x1.5	M115x2	M115x3	M115x4	M115x6	4 600 B 1143
		M118x1.5	M118x2	M118x3	M118x4		600 B 1190
		M120x1.5	M120x2	M120x3	M120x4	M120x6	600 B 1240
		M125x1.5	M125x2	M125x3	M125x4	M125x6	4 1/2 600 B 1275
		M128x1.5	M128x2	M128x3	M128x4		600 B 1290
		M130x1.5	M130x2	M130x3	M130x4	M130x6	600 B 1330
		M145x1.5	M145x2	M145x3	M145x4	M145x6	600 B 1468
		M145x1.5	M145x2	M145x3	M145x4	M145x6	600 B 1490
		M150x1.5	M150x2	M150x3	M150x4	M150x6	5 1/2 600 B 1535
		M155x1.5	M155x2	M155x3	M155x4	M155x6	600 B 1590
		M165x1.5	M165x2	M165x3	M165x4	M165x6	600 B 1690
		M170x1.5	M170x2	M170x3	M170x4	M170x6	600 B 1740
		M175x1.5	M175x2	M175x3	M175x4	M175x6	600 B 1790
		M178x1.5	M178x2	M178x3			600 B 1815
		M182x1.5	M182x2	M182x3	M182x4		600 B 1836
		M195x1.5	M195x2	M195x3	M195x4	M195x6	600 B 1990
		M200x1.5	M200x2	M200x3	M200x4	M200x6	600 B 2020
		M200x1.5	M200x2	M200x3	M200x4	M200x6	600 B 2030
		M215x1.5	M215x2	M215x3	M215x4	M215x6	600 B 2180
		M230x1.5	M230x2	M230x3	M230x4	M230x6	600 B 2312
		M245x1.5	M245x2	M245x3	M245x4	M245x6	600 B 2490
		M250x1.5	M250x2		M250x4	M250x6	600 B 2530
		M292x1.5	M292x2		M292x4		600 B 2934
		M295x1.5	M295x2		M295x4	M295x6	600 B 2990



Additional information:

This application table is a guide only. We will be happy to send you free samples for testing. For apertures and bore holes without thread, please use dimensions B and C. Other dimensions and bespoke designs available on request, see "Materials and Colours" on page 100.

Size in mm

◀ Dimensions on pages 17/18



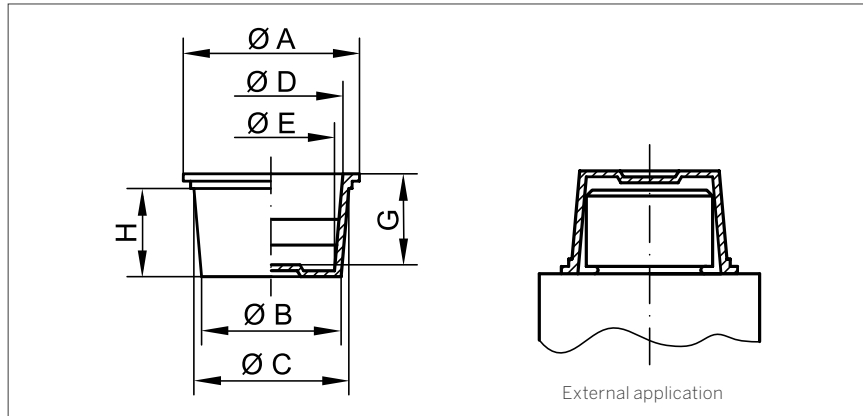
PÖPPELMANN

KAPSTO®

Contact, product search and sample requests: www.poeppelmann.com

Universal Protection

GPN 610



Your KAPSTO® quality benefits:



Multi Functional:

Can be used as plug or cap.
The tapered design is ideal
for accommodating tolerances.



Additional information:

To close off bore holes and
internal threads, or to protect
studs and external threads.

Material:

Polyethylene (PE-LD)

Colour:

Yellow

Dimensions				External application			Order no.
A	B	C	H	D	E	G	
10.0	4.4	6.2	10.0	4.6	2.8	10.8	610 U 1
11.0	6.0	7.8	10.0	6.2	4.4	10.8	610 U 2
13.0	7.6	9.4	10.0	7.8	6.0	10.0	610 U 3
14.0	8.4	10.2	10.0	8.6	6.8	10.0	610 U 4
14.0	9.2	11.0	10.0	9.3	7.5	10.0	610 U 5
15.0	9.9	11.7	10.0	10.1	8.3	10.0	610 U 6
16.0	10.6	12.4	10.0	10.8	9.0	10.0	610 U 7
17.0	11.3	13.1	10.0	11.2	9.5	10.0	610 U 8
18.0	12.0	14.1	12.0	12.5	10.4	12.0	610 U 9
18.0	12.5	14.6	12.0	13.3	11.2	12.0	610 U 10
19.0	13.5	15.6	12.0	14.0	11.9	12.0	610 U 11
19.0	14.0	16.1	12.0	14.5	12.4	12.0	610 U 12
21.0	15.0	17.0	13.0	15.5	13.2	13.0	610 U 13
22.0	16.3	18.6	13.0	17.0	14.7	13.0	610 U 14
22.0	17.3	19.4	13.0	17.6	15.5	13.0	610 U 15
24.0	17.5	20.1	15.0	18.5	15.9	15.0	610 U 16
25.0	18.4	21.0	15.0	19.4	16.8	15.0	610 U 17
25.0	19.0	21.6	15.0	20.0	17.4	15.0	610 U 18
27.0	20.4	23.2	16.0	21.6	18.8	16.0	610 U 19
28.0	20.7	23.5	16.0	21.9	19.1	16.0	610 U 20
29.0	22.0	24.8	16.0	23.0	20.4	16.0	610 U 21
30.0	23.2	26.3	18.0	24.4	21.2	18.0	610 U 22
32.0	24.5	27.8	19.0	26.2	22.9	19.0	610 U 23
33.0	25.2	29.2	19.0	27.7	23.7	19.0	610 U 24
33.0	26.4	30.4	19.0	28.9	24.9	19.0	610 U 241
35.0	27.8	31.1	19.0	29.5	26.2	19.0	610 U 25
37.0	29.8	32.6	16.0	31.1	28.3	16.0	610 U 26
38.0	31.4	35.1	21.0	33.4	29.7	21.0	610 U 27
41.0	33.3	37.1	22.0	35.5	31.7	22.0	610 U 28
45.0	36.7	40.5	22.0	39.0	35.2	22.0	610 U 29
45.0	38.4	40.7	13.0	39.2	36.9	13.0	610 U 291
48.0	38.2	43.0	23.0	41.4	36.6	23.0	610 U 30
48.0	39.6	42.9	19.0	41.3	38.0	19.0	610 U 31
49.0	41.4	44.7	19.0	43.0	39.7	19.0	610 U 32
51.0	44.4	47.7	19.0	46.1	42.8	19.0	610 U 33
54.0	45.2	49.6	25.0	48.0	43.6	25.0	610 U 34
55.0	46.6	51.0	25.0	48.7	45.2	25.0	610 U 35
62.0	52.5	56.9	25.0	55.2	50.8	25.0	610 U 36
65.0	54.0	59.3	25.0	57.8	52.5	25.0	610 U 37
65.0	54.2	58.6	25.0	57.0	52.6	25.0	610 U 38
67.0	58.4	62.8	25.0	61.1	56.7	25.0	610 U 39
71.0	60.7	67.1	29.0	64.3	57.5	28.5	610 U 40
75.0	67.1	70.4	19.0	68.7	65.4	19.0	610 U 41
83.0	72.4	75.7	19.0	74.1	70.8	19.0	610 U 42
92.0	84.5	87.8	19.0	85.7	82.4	19.0	610 U 43

Size in mm

► Application guide data for exterior use, see page 21

Additional dimensions, heat-resistant types, and bespoke designs available on request, see "Materials and Colours" on page 100.



PÖPPELMANN

We will be happy to advise you: +49 4442 982-9100

KAPSTO®

Universal Protection

GPN 610

Application Guide Data for Exterior Use

Standard thread	Metric threads					Pipe thread	Order no.
	Fine thread						
M 4	M 4 x 0.5						610 U 1
M 5	M 5 x 0.5						610 U 2
M 7							610 U 3
M 8	M 7.5 x 1	M 8 x 1				1/16	610 U 4
	M 8.5 x 1						610 U 5
M 9	M 9 x 1	M 9.5 x 1					610 U 6
M 10	M 10 x 1					1/8	610 U 7
	M 10.5 x 1						610 U 8
M 12	M 12 x 1	M 12 x 1.5					610 U 9
	M 12.5 x 1						610 U 10
	M 13 x 1	M 13 x 1.5				1/4	610 U 11
	M 13.5 x 1						610 U 12
M 14	M 14 x 1	M 14.5 x 1	M 14 x 1.5				610 U 13
M 16	M 16 x 1	M 16 x 1.5					610 U 14
						3/8	610 U 15
	M 17 x 1	M 17 x 1.5	M 17 x 2				610 U 16
M 18	M 18 x 1	M 18 x 1.5	M 18 x 2				610 U 17
	M 19 x 1	M 19 x 1.5	M 19 x 2				610 U 18
M 20	M 20 x 1	M 20 x 1.5	M 20 x 2				610 U 19
	M 21 x 1	M 21 x 1.5	M 21 x 2			1/2	610 U 20
M 22	M 22 x 1	M 22 x 1.5	M 22 x 2				610 U 21
	M 23 x 1	M 23 x 1.5	M 23 x 2			5/8	610 U 22
	M 25 x 1	M 25 x 1.5	M 25 x 2				610 U 23
	M 26 x 1	M 26 x 1.5	M 26 x 2			3/4	610 U 24
M 27	M 27 x 1	M 27 x 1.5	M 27 x 2				610 U 241
	M 28 x 1	M 28 x 1.5	M 28 x 2	M 28 x 3			610 U 25
M 30	M 30 x 1	M 30 x 1.5	M 30 x 2	M 30 x 3		7/8	610 U 26
	M 32 x 1	M 32 x 1.5	M 32 x 2	M 32 x 3			610 U 27
	M 34 x 1	M 34 x 1.5	M 34 x 2	M 34 x 3		1	610 U 28
	M 37 x 1	M 37 x 1.5	M 37 x 2			1 1/8	610 U 29
	M 38 x 1	M 38 x 1.5	M 38 x 2	M 38 x 3			610 U 291
M 39	M 39 x 1	M 39 x 1.5	M 39 x 2	M 39 x 3			610 U 30
	M 40 x 1	M 40 x 1.5	M 40 x 2	M 40 x 3	M 40 x 4		610 U 31
M 42	M 42 x 1	M 42 x 1.5	M 42 x 2	M 42 x 3	M 42 x 4	1 1/4	610 U 32
M 45	M 45 x 1	M 45 x 1.5	M 45 x 2	M 45 x 3	M 45 x 4	1 3/8	610 U 33
						1 1/2	610 U 35
M 52	M 52 x 1	M 52 x 1.5	M 52 x 2	M 52 x 3	M 52 x 4	1 3/4	610 U 36
	M 55 x 1	M 55 x 1.5	M 55 x 2	M 55 x 3	M 55 x 4		610 U 37
	M 55 x 1	M 55 x 1.5	M 55 x 2	M 55 x 3	M 55 x 4		610 U 38
	M 60 x 1	M 60 x 1.5	M 60 x 2	M 60 x 3	M 60 x 4	2	610 U 39
M 62	M 62 x 1	M 62 x 1.5	M 62 x 2	M 62 x 3	M 62 x 4		610 U 40
	M 72 x 1	M 72 x 1.5	M 72 x 2	M 72 x 3	M 72 x 4		610 U 42

◀ Dimensions on page 20



Additional information:

This application table is a guide only. We will be happy to send you free samples for testing. For apertures and bore holes without thread, please use dimensions B and C. Other dimensions and bespoke designs available on request, see "Materials and Colours" on page 100.

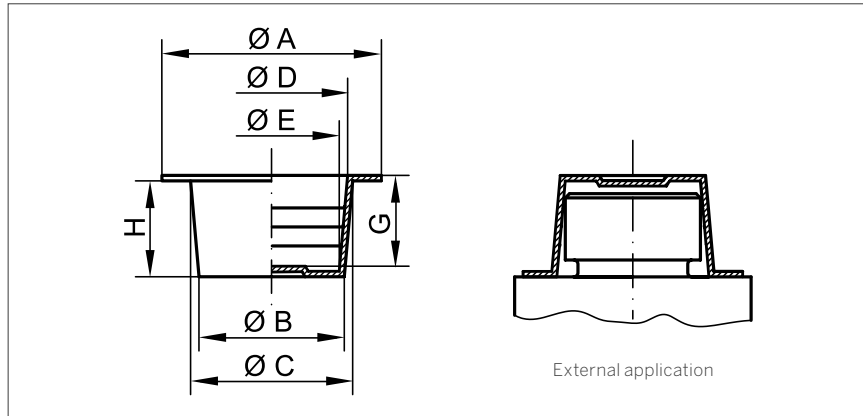


PÖPPELMANN

Contact, product search and sample requests: www.poeppelmann.com

KAPSTO®

Universal Protection GPN 620



Dimensions				External application			Order no.
A	B	C	H	D	E	G	
22.0	4.4	6.3	11.0	4.6	2.7	11.2	620 U 1 B
23.0	6.0	7.9	11.0	6.1	4.3	11.2	620 U 2 B
25.0	7.6	9.5	11.0	7.8	5.9	11.0	620 U 3 B
26.0	8.4	10.3	11.0	8.6	6.8	10.0	620 U 4 B
26.0	9.2	11.0	11.0	9.3	7.5	10.0	620 U 5 B
27.0	9.9	11.7	11.0	10.0	8.3	10.0	620 U 6 B
28.0	10.6	12.4	11.0	10.6	8.8	10.0	620 U 7 B
29.0	11.3	13.2	11.0	11.6	9.8	10.0	620 U 8 B
30.0	12.0	14.2	13.0	12.5	13.1	12.0	620 U 9 B
30.0	12.5	14.6	13.0	13.1	11.2	12.0	620 U 10 B
31.0	13.8	15.9	13.0	14.1	12.0	12.0	620 U 11 B
31.0	14.0	16.4	13.0	14.5	12.2	12.0	620 U 12 B
33.0	15.0	17.2	14.0	15.5	13.4	13.0	620 U 13 B
34.0	16.5	18.8	14.0	17.1	14.8	13.0	620 U 14 B
34.0	17.4	19.6	14.0	17.8	15.6	13.0	620 U 15 B
36.0	17.7	20.3	16.0	18.6	16.0	15.0	620 U 16 B
37.0	18.6	21.2	16.0	19.5	16.9	15.0	620 U 17 B
37.0	19.3	21.9	16.0	20.1	17.6	15.0	620 U 18 B
39.0	20.8	23.5	17.0	21.8	18.9	16.0	620 U 19 B
40.0	21.2	24.0	17.0	22.1	19.3	16.0	620 U 20 B
41.0	22.3	25.2	17.0	23.4	20.4	16.0	620 U 21 B
42.0	23.7	27.0	19.0	24.1	20.9	18.0	620 U 22 B
44.0	25.0	28.3	20.0	26.4	23.0	19.0	620 U 23 B
45.0	26.4	29.5	20.0	27.7	24.7	19.0	620 U 24 B
47.0	28.3	31.4	20.0	29.7	26.4	19.0	620 U 25 B
49.0	29.8	32.9	20.0	31.2	28.1	19.0	620 U 26 B
50.0	32.0	35.5	22.0	33.6	29.8	21.0	620 U 27 B
52.0	33.8	37.8	23.0	36.0	31.9	22.0	620 U 28 B
54.0	36.4	40.2	22.0	38.4	34.5	21.0	620 U 29 B
60.0	39.2	43.1	23.0	41.3	37.2	22.0	620 U 31 B
70.0	41.3	44.8	20.0	43.0	39.5	19.0	620 U 32 B
64.0	44.4	47.9	20.0	46.1	42.6	18.0	620 U 33 B
66.0	50.5	53.1	14.0	51.1	48.8	13.7	620 U 351 B
74.3	52.7	56.6	25.0	54.6	51.0	24.7	620 U 36 B
85.0	62.5	67.5	20.5	66.0	60.4	20.5	620 U 401 B

Your KAPSTO® quality benefits:



Multi Functional: Can be used as a plug or cap for a wide range of applications. Tapered design for accommodating tolerances.



Additional information: Same design as GPN 610 but with larger cover flange.

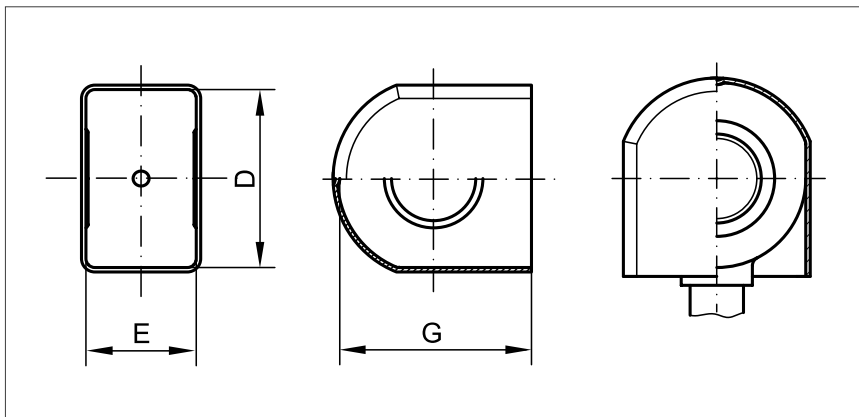
Material:
Polyethylene (PE-LD)
Colour:
Yellow

Size in mm

Additional dimensions, heat-resistant types, and bespoke designs available on request, see "Materials and Colours" on page 100.

Protective Covers

GPN 695



Suitable for ring connections DIN 7642 B/E External pipe diameter	Dimensions			Order no.
	D	E	G	
6	17.0	9.8	19.6	695 BE 6
8	20.0	11.6	23.5	695 BE 8
10	24.0	13.8	27.6	695 BE 10
12	28.0	15.8	31.2	695 BE 12
15	32.2	19.6	35.3	695 BE 15
18	40.0	24.8	43.0	695 BE 18

Size in mm

Additional dimensions, heat-resistant types, and bespoke designs available on request, see "Materials and Colours" on page 100.



Your KAPSTO® quality benefits:



Standard protection: Suitable for ring fittings in accordance with DIN 7642 design B and E.

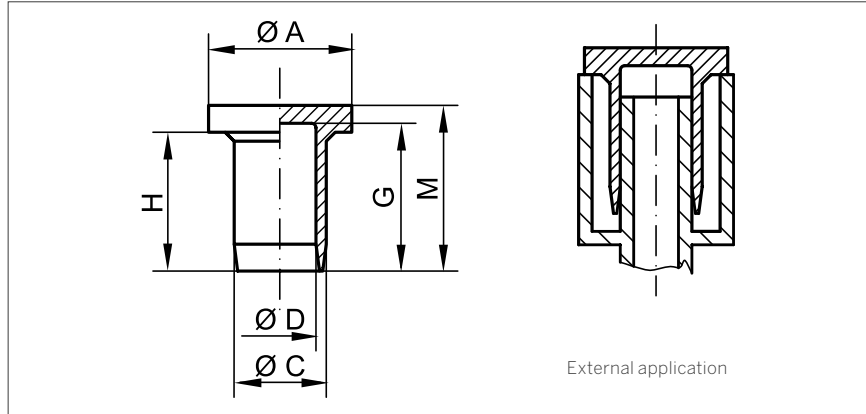


Additional information: The internal clamping ring is centered in the ring opening of the hollow screw, thereby preventing an ingress of dirt. Also suitable for non standard ring-type nipples.

Material:
Polyethylene (PE-HD)
Colour:
Yellow

Closures

GPN 900



Your KAPSTO® quality benefits:



Multi Functional: Cylindrical closure – can be used as plug or cap.

Material:
Polyethylene (PE-LD)

Colour:
Natural

Dimensions						
A	C	H	External application			Order no.
			D	G	M	
13.0	7.2	9.0	5.2	10.5	12.0	900 A 7
12.0	8.3	16.0	6.0	17.0	18.5	900 A 8.5
12.0	8.9	9.5	5.8	10.5	12.0	900 A 8.9
11.0	9.0	9.5	7.4	10.5	12.0	900 A 9
16.0	10.3	15.5	8.0	16.5	18.5	900 A 10.5
16.0	10.8	15.8	8.0	17.0	18.8	900 A 11
18.0	12.0	10.0	9.8	11.2	13.0	900 A 12
20.0	12.4	16.2	10.0	17.6	19.2	900 A 12.5
15.0	12.8	9.5	11.3	10.5	12.0	900 A 12.5 x 9.5
18.0	13.4	10.0	11.5	10.0	12.0	900 A 13.5
17.0	14.7	9.5	11.7	10.5	12.0	900 A 14
20.0	14.5	20.8	11.5	21.1	22.6	900 A 14.5
20.0	15.2	12.7	12.8	13.7	14.7	900 A 15
22.0	16.6	21.0	13.5	22.0	23.0	900 A 16.5
24.0	16.6	9.0	13.5	10.5	12.0	900 A 16.5 x 9
20.0	17.0	9.5	14.5	10.5	12.0	900 A 16.9
20.0	17.0	24.0	14.5	25.5	27.0	900 A 17
21.0	18.4	25.0	15.5	26.0	27.0	900 A 18.5 x 21
28.0	18.4	25.0	15.5	26.0	27.0	900 A 18.5
25.0	18.9	10.5	16.5	11.0	12.5	900 A 19
21.5	19.3	9.5	17.4	10.5	12.0	900 A 19.5
28.0	20.2	21.0	17.8	21.5	23.0	900 A 20
22.0	20.7	9.5	17.7	10.5	12.0	900 A 21
22.5	21.0	16.0	18.6	16.0	17.5	900 A 21 x 16
25.0	22.5	12.0	19.7	12.5	14.0	900 A 22.5
28.0	23.9	29.0	20.3	29.5	31.0	900 A 24
32.0	24.5	10.0	21.2	10.5	12.0	900 A 24.5
26.0	24.6	25.0	21.5	26.0	28.0	900 A 24.5 x 25
29.0	24.7	31.5	23.1	32.0	33.5	900 A 24.7
28.0	25.5	17.0	22.3	18.5	20.0	900 A 25.5
31.0	27.0	20.5	24.8	21.8	23.5	900 A 27
32.0	28.4	9.5	26.0	10.0	11.5	900 A 28.5
33.0	30.0	19.0	27.3	20.5	22.0	900 A 30
34.0	31.0	9.5	28.0	10.5	12.0	900 A 31
36.0	32.5	21.0	29.6	22.5	24.0	900 A 32
37.0	32.8	19.0	29.4	20.0	21.5	900 A 33
47.0	38.8	21.0	35.4	22.0	23.5	900 A 39
43.0	40.5	9.5	37.5	11.0	12.5	900 A 41
50.0	44.8	19.0	41.4	20.0	21.5	900 A 45
53.5	51.0	24.0	48.3	25.5	27.0	900 A 51
54.5	52.0	9.5	49.0	10.5	12.0	900 A 52
61.0	58.0	12.5	55.0	12.5	14.0	900 A 58
69.0	64.0	29.0	61.5	30.5	32.0	900 A 64
72.0	69.5	29.0	66.5	29.5	31.0	900 A 69
80.0	76.0	20.0	70.0	20.5	22.0	900 A 76

Size in mm

Additional dimensions, heat-resistant types, and bespoke designs available on request, see "Materials and Colours" on page 100.

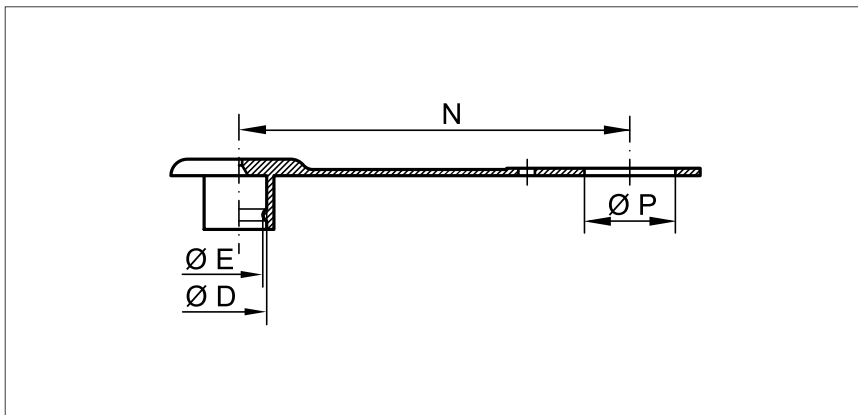


PÖPPELMANN

We will be happy to advise you: +49 4442 982-9100

KAPSTO®

Protective Dust Caps GPN 920 Type B



Suitable for nominal size	Dimensions				Order no.
	D	E	N	P	
1/4	12.5	11.5	125.0	22.0	920 / 9997
3/8	18.5	16.0	125.0	22.0	920 / 9995
1/2	24.0	23.0	135.0	29.0	920 / 4984
1/2	24.0	23.0	135.0	27.0	920 / 5371

Size in mm

Additional dimensions, heat-resistant types, and bespoke designs available on request, see "Materials and Colours" on page 100.



Your KAPSTO® quality benefits:



Standard protection:
Protects open plug-in couplings from damage and contamination.



Leak Proof: Provides limited sealing action against an ingress or outflow of fluids.

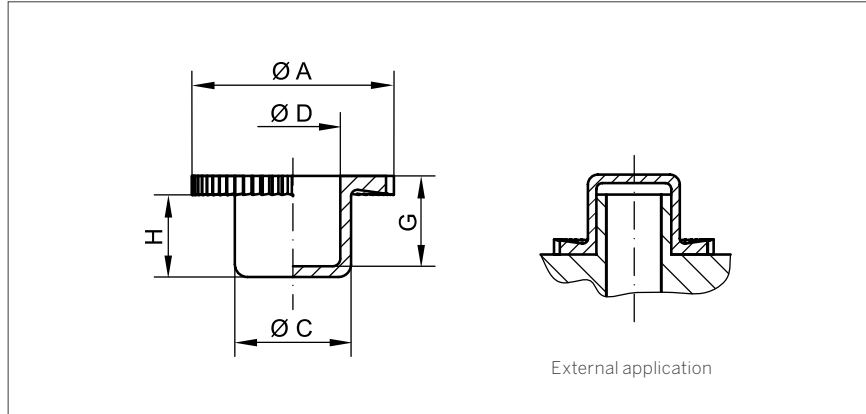


Additional information:
Self-retaining design due to integral strap.

Material:
Polyethylene (PE-LD)
Colour:
Red

Protective Elements

GPN 950



Your KAPSTO® quality benefits:



Multi Functional: Can be used as cap or as plug.



Additional information: With knurled collar. Suitable for bore holes, internal and external threads, or pipe ends.

Material:

Polyethylene (PE-LD)

Colour:

Natural

Dimensions					Order no.
A	C	H	External application		
			D	G	
10.0	5.4	6.0	3.9	7.3	950 / 0054
10.5	6.7	7.0	5.2	7.8	950 / 0067
14.0	7.2	6.5	5.7	7.2	950 / 0072
16.0	9.6	6.5	7.7	7.2	950 / 0092
20.0	10.5	5.0	8.4	6.2	950 / 0105
18.0	10.6	8.5	9.0	9.2	950 / 0106
20.0	12.6	8.0	11.0	9.2	950 / 0126
22.0	13.1	8.0	11.5	9.2	950 / 0131
22.0	14.7	10.0	13.1	11.2	950 / 0147
20.0	15.7	8.0	13.5	8.9	950 / 0157
24.0	16.8	8.5	15.5	9.2	950 / 0168
24.0	18.0	7.2	16.0	8.0	950 / 0180
28.0	18.8	10.0	17.5	11.2	950 / 0188
28.0	19.3	10.0	17.7	11.2	950 / 0193
30.0	20.8	10.0	19.5	11.2	950 / 0208
31.8	22.9	10.0	21.7	11.4	950 / 0229
33.5	25.1	10.0	23.6	11.3	950 / 0250

Size in mm

Additional dimensions, heat-resistant types, and bespoke designs available on request, see "Materials and Colours" on page 100.



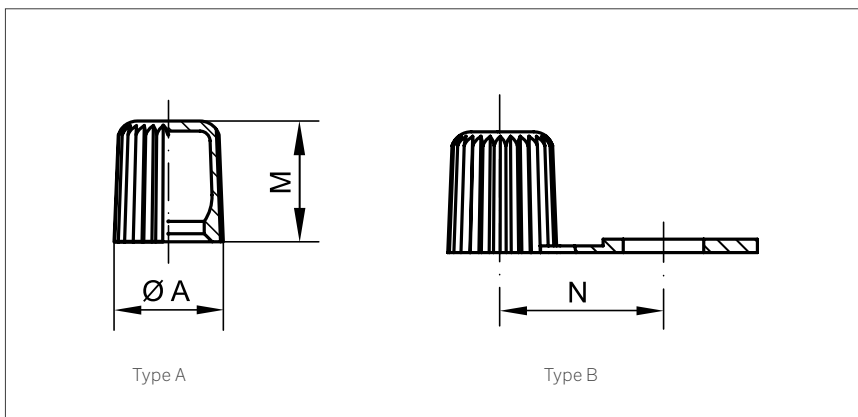
PÖPPELMANN

We will be happy to advise you: +49 4442 982-9100

KAPSTO®

Grease Nipple Caps

GPN 980



Type A (without tab)

Dimensions		Colour	Order no.
A	M		
8.2	9.0	Yellow	980 / 0100
8.2	9.0	Red	980 / 0101
8.2	9.0	Green	980 / 0102
8.2	9.0	Black	980 / 0103

Size in mm

Additional dimensions, heat-resistant types, and bespoke designs available on request, see "Materials and Colours" on page 100.



Type B (with tab)

Dimensions			Colour	Order no.
A	M	N		
8.2	9.0	12.0	Yellow	980 / 0200
8.2	9.0	12.0	Red	980 / 0201
8.2	9.0	12.0	Green	980 / 0202
8.2	9.0	12.0	Black	980 / 0203

Size in mm

Additional dimensions, heat-resistant types, and bespoke designs available on request, see "Materials and Colours" on page 100.

Your KAPSTO® quality benefits:



Standard protection:

Protection for grease nipples in accordance with DIN EN 71412.



Additional information:

Protect the tapered head of grease nipples against contamination and visibly mark lubrication points. Caps are knurled for ease of grip.
design A: without tab –
design B: with tab.

Material:

Polyethylene (PE-LLD)

Colours:

Yellow, Red, Green, Black



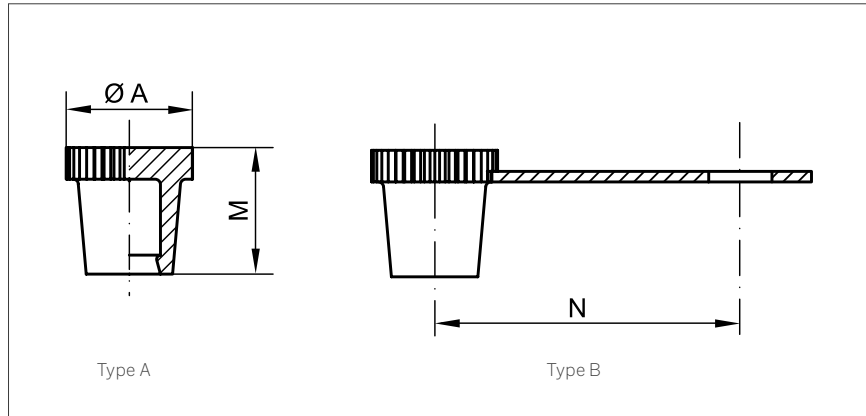
PÖPPELMANN

Contact, product search and sample requests: www.poeppelmann.com

KAPSTO®

Grease Nipple Caps

GPN 985



Type A (without tab)

Dimensions		Colour	Order no.
A	M		
12.0	12.0	Yellow	985 / 0100
12.0	12.0	Red	985 / 0101
12.0	12.0	Green	985 / 0102
12.0	12.0	Black	985 / 0103

Size in mm

Additional dimensions, heat-resistant types, and bespoke designs available on request, see "Materials and Colours" on page 100.

Your KAPSTO® quality benefits:



Standard protection:

Protection for the tapered heads of grease nipples in accordance with DIN EN 71412.



Additional information:

Protect the tapered head of grease nipples against contamination and visibly mark lubrication points. Caps are knurled for ease of grip. design A: without tab – design B: with tab.

Material:

Polyethylene (PE-LLD)

Colours:

Yellow, Red, Green, Black

Type B (with tab)

Dimensions			Colour	Order no.
A	M	N		
12.0	12.0	29.0	Yellow	985 / 0200
12.0	12.0	29.0	Red	985 / 0201
12.0	12.0	29.0	Green	985 / 0202
12.0	12.0	29.0	Black	985 / 0203

Size in mm

Additional dimensions, heat-resistant types, and bespoke designs available on request, see "Materials and Colours" on page 100.



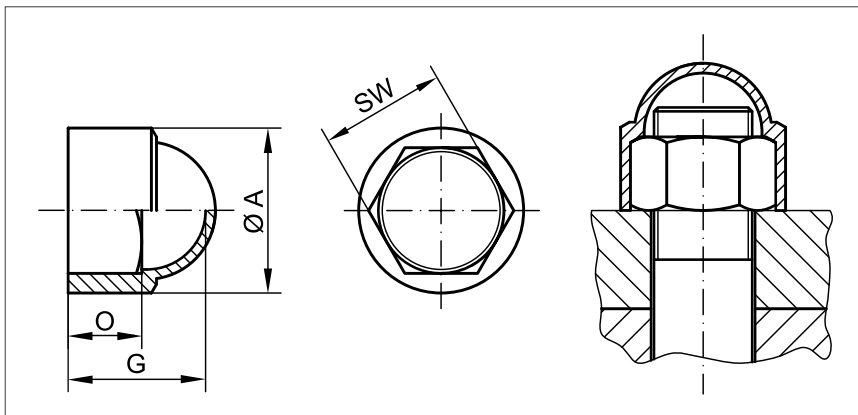
PÖPPELMANN

We will be happy to advise you: +49 4442 982-9100

KAPSTO®

Hexagonal Caps

GPN 1000



Dimensions			Suitable for hexagon nuts				Order no.
A	G	O	Spanner width (width across flat)	Metric threads		Pipe thread	
9.0	7.5	8.0	7	M 4			1000 / 1916
10.9	8.0	5.0	8	M 5			1000 / 1068
12.9	12.0	6.0	10	M 6			1000 / 1069
16.8	14.0	7.5	13	M 8	M 8 x 1		1000 / 0893
18.0	14.0	7.5	14				1000 / 1071
21.3	18.0	9.0	16	M 10			1000 / 8267
21.3	18.5	9.0	17	M 10	M 10 x 1		1000 / 1072
23.0	19.4	11.0	18	M 12			1000 / 0857
23.6	20.0	11.0	19	M 12	M 12 x 1.5		1000 / 1073
26.0	22.5	12.0	21	M 14	M 14 x 1.5		1000 / 0190
27.5	22.5	12.0	22	M 14	M 14 x 1.5		1000 / 1074
29.8	25.5	14.0	24	M 16	M 16 x 1.5		1000 / 1075
34.0	29.0	16.0	27	M 18	M 18 x 1.5	M 18 x 2	3/8 1000 / 1076
37.4	31.0	17.0	30	M 20	M 20 x 1.5	M 20 x 2	1000 / 1077
39.7	34.0	19.0	32	M 22	M 22 x 1.5	M 22 x 2	1/2 1000 / 1078
44.4	38.0	20.0	36	M 24	M 24 x 1.5	M 24 x 2	5/8 1000 / 1079
50.1	44.0	23.0	41	M 27	M 26 x 1.5		1000 / 1080
					M 27 x 1.5	M 27 x 2	3/4 1000 / 1080
					M 28 x 1.5		1000 / 1080
55.9	49.0	25.0	46	M 30	M 30 x 1.5	M 30 x 2	7/8 1000 / 1081
60.5	53.0	27.0	50		M 32 x 1.5		1000 / 1414
					M 33 x 1.5	M 33 x 2	1000 / 1414
67.0	55.5	30.0	55		M 35 x 1.5		1000 / 1811
				M 36	M 36 x 1.5	M 36 x 3	1000 / 1811
72.0	60.0	38.0	60	M 39	M 38 x 1.5		1000 / 3762
					M 39 x 1.5	M 39 x 3	1000 / 3762
					M 40 x 1.5		1000 / 3762
76.6	63.0	42.0	65	M 42	M 42 x 1.5	M 42 x 3	1000 / 3763
85.5	73.0	38.0	70	M 45			1000 / 6706
91.6	78.5	41.0	75				1 1/2 1000 / 8638
98.0	83.4	43.5	80				1 3/4 1000 / 8639
116.7	102.0	55.0	95				2 1/4 1000 / 8641

Size in mm

Additional dimensions, heat-resistant types, and bespoke designs available on request, see "Materials and Colours" on page 100.



Your KAPSTO® quality benefits:



Robust: Thick-walled design for higher demands.



Additional information: Protection for nuts and bolts. Optimum corrosion protection. The cylindrical outer contour prevents the application of spanners.

Material: Polyethylene (PE-LD)

Colour: Black



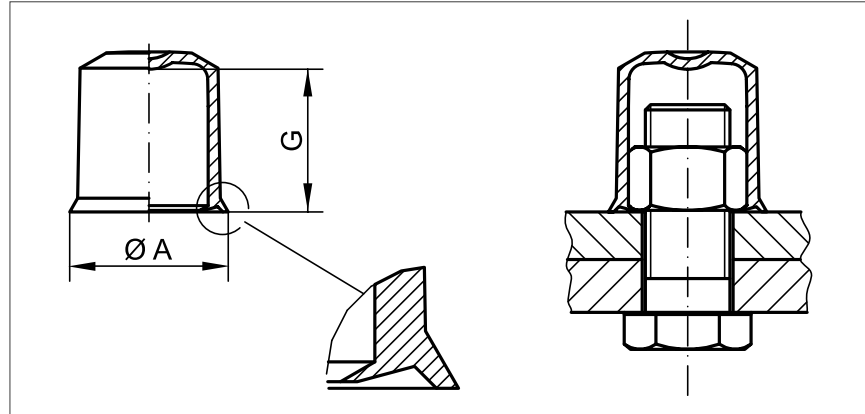
PÖPPELMANN

Contact, product search and sample requests: www.poeppelmann.com

KAPSTO®

Snap-on Caps

GPN 1010



Dimensions		Suitable for hexagon nuts				Order no.
A	G	Spanner width (width across flat)	Metric threads		Pipe thread	
12.0	10.2	8	M 5			1010 SW 8
15.0	13.5	10	M 6			1010 SW 10
19.0	18.5	13	M 8	M 8 x 1		1010 SW 13
24.4	25.0	17	M 10	M 10 x 1		1010 SW 17
27.0	27.7	19	M 12	M 12 x 1.5		1010 SW 19
30.5	33.0	22	M 14	M 14 x 1.5	1/4	1010 SW 22
33.5	36.6	24	M 16	M 16 x 1.5		1010 SW 24
41.0	47.0	30	M 20	M 20 x 1.5	M 20 x 2	1010 SW 30
49.3	56.5	36	M 24	M 24 x 1.5	M 24 x 2	1010 SW 36

Size in mm

Additional dimensions, heat-resistant types, and bespoke designs available on request, see "Materials and Colours" on page 100.



Additional information:

Protection for nuts and bolts.
Optimum corrosion protection.
Designed for greater bolt length. The circumferential rim snaps in place beneath the nut.

Material:

Polyethylene (PE-LD)

Colour:

Black



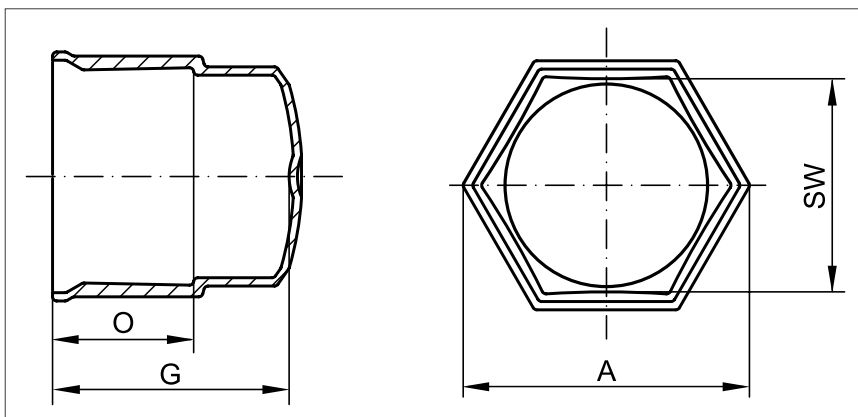
PÖPPELMANN

We will be happy to advise you: +49 4442 982-9100

KAPSTO®

Hexagonal Caps

GPN 1050



Dimensions			Suitable for Spanner width (width across flat)	Order no.
A	G	O		
19.6	26.3	14.5	14	1050 SW 14
23.1	26.3	14.5	17	1050 SW 17
25.2	27.1	15.5	19	1050 SW 19
28.7	26.9	15.5	22	1050 SW 22
30.5	28.5	17.0	24	1050 SW 24
34.5	28.2	17.0	27	1050 SW 27
38.0	28.4	17.0	30	1050 SW 30
40.3	28.4	17.0	32	1050 SW 32
44.9	28.3	17.0	36	1050 SW 36
50.7	29.5	18.0	41	1050 SW 41
56.4	30.0	19.0	46	1050 SW 46
61.0	30.5	19.5	50	1050 SW 50
72.6	31.0	20.0	60	1050 SW 60

Size in mm

Additional dimensions, heat-resistant types, and bespoke designs available on request, see "Materials and Colours" on page 100.



Additional information:

For hose ends with union nut and hexagonal nut. These products provide effective protection against contamination, damage, corrosion and injuries.

Material:

Polyethylene (PE-LLD)

Colour:

Black



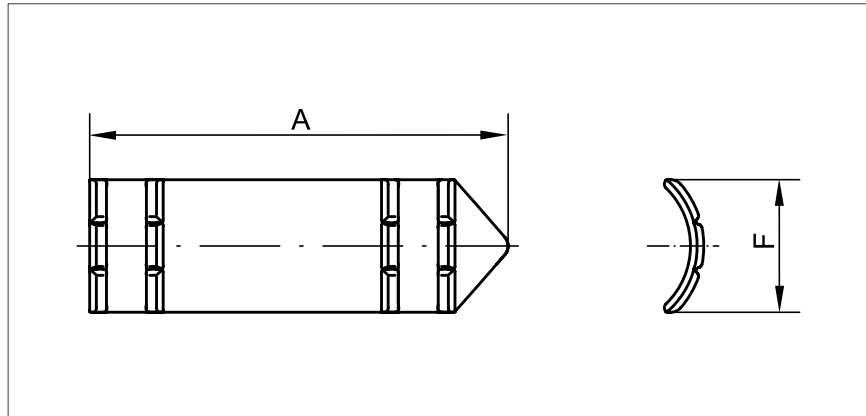
PÖPPELMANN

Contact, product search and sample requests: www.poeppelmann.com

KAPSTO®

Identification Plates

GPN 1070



Dimensions		Colour	Order no.
A	F		
63.0	20.0	Yellow	1070 / 0392
63.0	20.0	Orange	1070 / 0393
63.0	20.0	Red	1070 / 0394
63.0	20.0	Blue	1070 / 0395
63.0	20.0	Green	1070 / 0396
63.0	20.0	Gray	1070 / 0397
63.0	20.0	White	1070 / 0398

Size in mm

Additional dimensions, heat-resistant types, and bespoke designs available on request, see "Materials and Colours" on page 100.

Your KAPSTO® quality benefits:



Robust: Highly tear-resistant material for increased demands.



Multi Functional: For marking and labelling tubes and hoses of various diameters.



Additional information:
To be fitted with cable ties.
Laser labeling possible for permanent marking.

Material:

Polyethylene (PE-HD)

Colours:

Yellow, Orange, Red, Blue, Green, Gray, White



PÖPPELMANN

We will be happy to advise you: +49 4442 982-9100

KAPSTO®

Grip Caps



Flexible. Like our delivery quantities.

We work to your requirements: **No minimum order quantities;** Pöppelmann KAPSTO® does not have standard packaging sizes!

Discover what's behind it! Our unique **Product and service benefits:**

- ⊕ Standard product range with more than 3,000 versions – available from stock.
- ⊕ No minimum order quantities, no standard packaging sizes.
- ⊕ Free samples.
- ⊕ Development and production of bespoke solutions on request.
- ⊕ Application advice, catalogue requests and orders: **+49 4442 982-9100.**



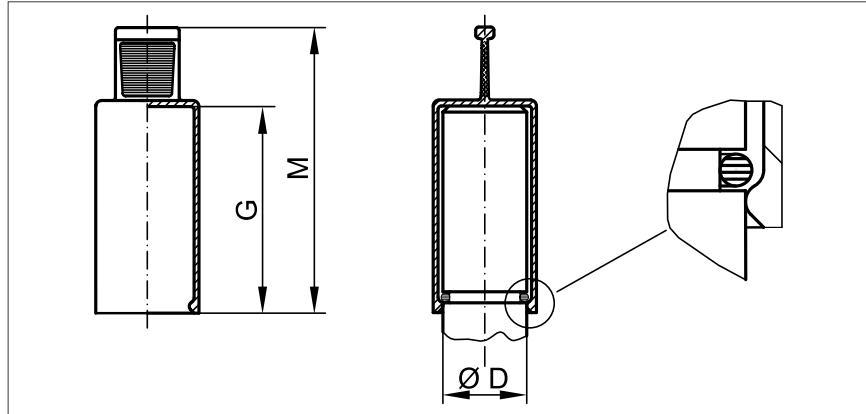
PÖPPELMANN

Contact, product search and sample requests: www.poeppelmann.com

KAPSTO®

Grip Caps

GPN 210



Suitable for External diameter D	G	M	Order no.
4.0	21.1	34.2	210 ZL 4 x 21
5.0	20.0	36.5	210 ZL 5 x 20
6.0	20.0	36.5	210 ZL 6 x 20
7.0	20.0	37.0	210 ZL 7 x 20
8.0	20.0	36.5	210 ZL 8 x 20
9.0	20.0	36.5	210 ZL 9 x 20
10.0	20.0	36.5	210 ZL 10 x 20
11.0	20.0	36.5	210 ZL 11 x 20
12.0	20.0	36.5	210 ZL 12 x 20
13.0	20.0	36.5	210 ZL 13 x 20
14.0	20.0	36.5	210 ZL 14 x 20
15.0	20.0	36.5	210 ZL 15 x 20
16.0	20.0	36.5	210 ZL 16 x 20
17.0	20.0	36.5	210 ZL 17 x 20
18.0	20.0	36.5	210 ZL 18 x 20
20.0	20.0	36.5	210 ZL 20 x 20
20.0	30.0	46.5	210 ZL 20 x 30
22.0	20.0	36.5	210 ZL 22 x 20
24.0	20.0	36.5	210 ZL 24 x 20

Your KAPSTO® quality benefits:



Time-saving: With ergonomically designed removal tab for easy handling.



Additional information: Suitable for pipe ends, hoses, and studs. With circumferential sealing lip for a firm fit.

Material:

Ethylene vinyl acetate (EVA), free from plasticisers

Colour:

Yellow

Size in mm

Additional dimensions, heat-resistant types, and bespoke designs available on request, see "Materials and Colours" on page 100.



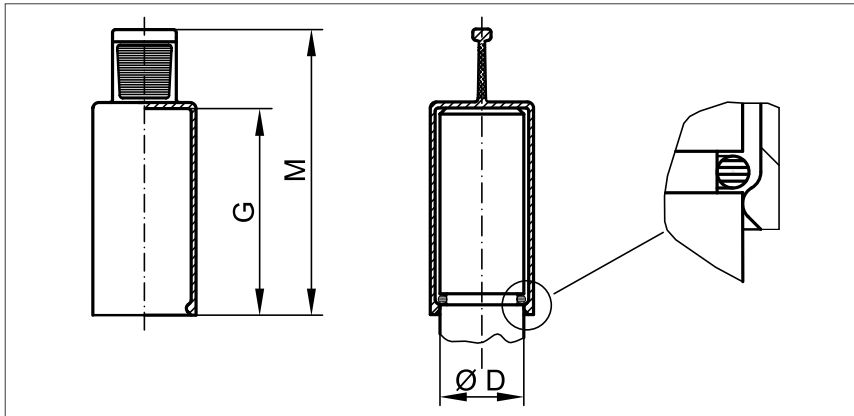
PÖPPELMANN

We will be happy to advise you: +49 4442 982-9100

KAPSTO®

Flexible Grip Caps

GPN 211



Suitable for External diameter D	G	M	Order no.
4.0 – 5.0	21.0	34.0	211 ZL 4 x 21
5.0 – 6.0	20.0	36.0	211 ZL 5 x 20
6.0 – 7.5	20.0	36.0	211 ZL 6 x 20
7.0 – 8.0	20.0	37.0	211 ZL 7 x 20
8.0 – 9.0	20.0	36.0	211 ZL 8 x 20
9.0 – 10.5	20.0	36.0	211 ZL 9 x 20
10.0 – 11.5	20.0	36.0	211 ZL 10 x 20
11.0 – 12.5	20.0	36.0	211 ZL 11 x 20
12.0 – 13.0	20.0	36.0	211 ZL 12 x 20
13.0 – 15.0	20.0	36.0	211 ZL 13 x 20
14.0 – 16.0	20.0	36.0	211 ZL 14 x 20
15.0 – 17.0	20.0	36.0	211 ZL 15 x 20
16.0 – 18.0	20.0	36.0	211 ZL 16 x 20
17.0 – 19.0	20.0	36.0	211 ZL 17 x 20
18.0 – 20.0	20.0	36.0	211 ZL 18 x 20
20.0 – 22.0	20.0	36.0	211 ZL 20 x 20
20.0 – 22.0	30.0	45.0	211 ZL 20 x 30
22.0 – 24.0	20.0	36.0	211 ZL 22 x 20
24.0 – 26.0	20.0	35.0	211 ZL 24 x 20

Size in mm

Additional dimensions, heat-resistant types, and bespoke designs available on request, see "Materials and Colours" on page 100.

Dimension G and M are not subject to DIN ISO 3302-1.



Your KAPSTO® quality benefits:



Time-saving: With ergonomically designed removal tab for easy handling.



Temperature resistant: Heat resistant to 150 °C. More details: page 101, "Physical properties".



Multi Functional: Suitable for different diameters due to flexible material.



Additional information: Suitable for pipe ends, hoses, and studs. With circumferential sealing lip for a firm fit.

Material:

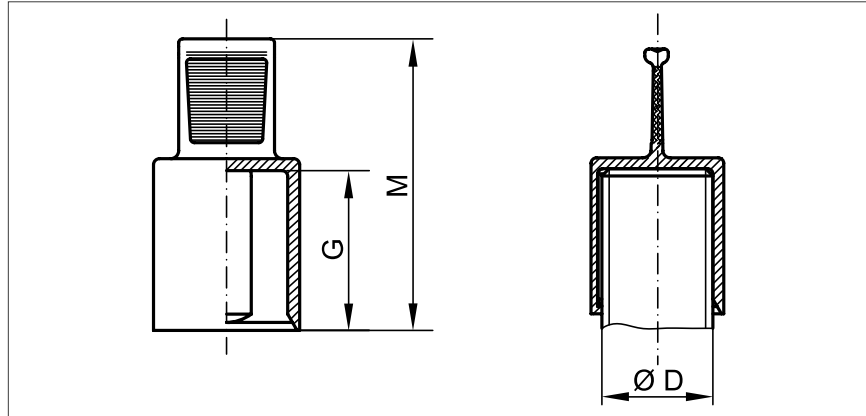
Thermoplastic polyolefin elastomer (TPE), free from plasticisers

Colour:

Yellow

Grip Caps

GPN 215



Suitable for External diameter D	G	M	Order no.
8,0	20,0	36,5	215 ML 8 x 20
10,0	20,0	36,5	215 ML 10 x 20
12,0	20,0	36,5	215 ML 12 x 20
14,0	20,0	36,5	215 ML 14 x 20
16,0	20,0	36,5	215 ML 16 x 20
17,0	20,0	36,5	215 ML 17 x 20
18,0	20,0	36,5	215 ML 18 x 20
20,0	20,0	36,5	215 ML 20 x 20
22,0	20,0	36,5	215 ML 22 x 20
24,0	20,0	36,5	215 ML 24 x 20

Size in mm

Additional dimensions, heat-resistant types, and bespoke designs available on request, see "Materials and Colours" on page 100.

Your KAPSTO® quality benefits:



Time-saving: With ergonomically designed removal tab for easy handling.



Multi Functional: Interior surfaces accommodate major tolerances, ensuring a tight fit.



Additional information: Suitable for external threads and studs.

Material:

Ethylene vinyl acetate (EVA), free from plasticisers

Colour:

Black

Application Guide

Suitable for metric threads					Order no.
Standard thread	Fine thread				
M 8	M 8 x 1				215 ML 8 x 20
M 10	M 10 x 1	M 10 x 1,25			215 ML 10 x 20
M 12	M 12 x 1	M 12 x 1,25	M 12 x 1,5		215 ML 12 x 20
M 14	M 14 x 1		M 14 x 1,5		215 ML 14 x 20
M 16	M 16 x 1		M 16 x 1,5		215 ML 16 x 20
	M 17 x 1		M 17 x 1,5		215 ML 17 x 20
M 18	M 18 x 1		M 18 x 1,5		215 ML 18 x 20
M 20	M 20 x 1		M 20 x 1,5		215 ML 20 x 20
M 22	M 22 x 1		M 22 x 1,5	M 22 x 2	215 ML 22 x 20
M 24	M 24 x 1		M 24 x 1,5	M 24 x 2	215 ML 24 x 20

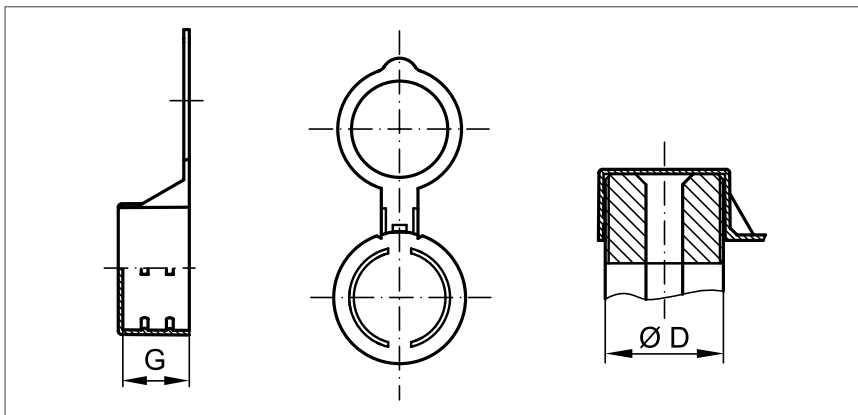


PÖPPELMANN

We will be happy to advise you: +49 4442 982-9100

KAPSTO®

Fast-fit Caps GPN 940



Suitable for		G	Order no.
External diameter D	External threads		
21.3	W 21.80 x1/14	14.5	940 SV 21.3
23.9	W 24.32 x1/14	14.5	940 SV 23.9
26.0	G 3/4	14.5	940 SV 26

Size in mm

Additional dimensions, heat-resistant types, and bespoke designs available on request, see "Materials and Colours" on page 100.



Your KAPSTO® quality benefits:



Standard protection:

Tamper-evident closure for valves in accordance with DIN 477-1.



Time-saving: Particularly fast and easy to remove.



Additional information:

With ventilation tab for safe leakage. Also suitable for external threads and studs.

Material:

Polyethylene (PE-LD)

Colour:

Yellow



PÖPPELMANN

Contact, product search and sample requests: www.poeppelmann.com

KAPSTO®

Screw Caps



Efficient. Like the way we handle our customers and their orders.

At Pöppelmann KAPSTO®, **friendly and competent employees** will be happy to answer all your questions and give advice on application issues.

Discover what's behind it! Our unique **Product and service benefits:**

- ⊕ Standard product range with more than 3,000 versions – available from stock.
- ⊕ No minimum order quantities, no standard packaging sizes.
- ⊕ Free samples.
- ⊕ Development and production of bespoke solutions on request.
- ⊕ Application advice, catalogue requests and orders: **+49 4442 982-9100.**



PÖPPELMANN

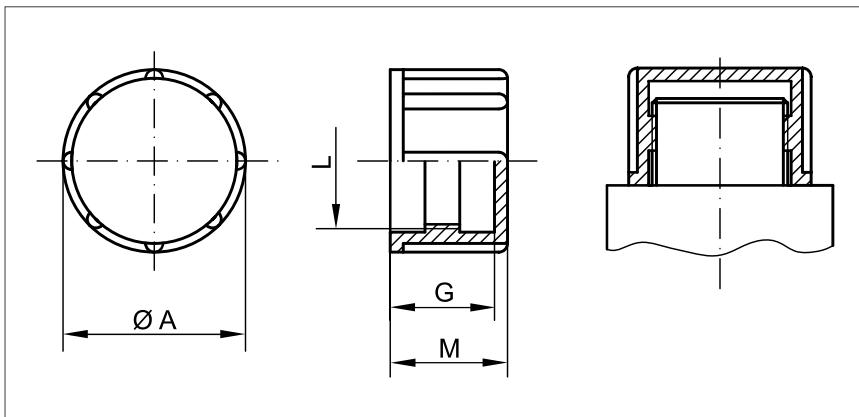
We will be happy to advise you: **+49 4442 982-9100**

KAPSTO®

Screw Caps

GPN 800

with metric thread



Thread L	Dimensions			Order no.
	A	G	M	
M 8	12.0	8.0	9.0	800 M 8
M 10	14.0	8.0	9.0	800 M 10
M 12	16.0	12.0	13.5	800 M 12
M 14	18.0	12.0	13.5	800 M 14
M 16	21.0	12.0	13.5	800 M 16
M 18	22.0	12.0	13.5	800 M 18
M 20	25.0	14.0	15.5	800 M 20
M 22	28.0	14.0	15.5	800 M 22
M 24	32.0	14.0	16.0	800 M 24
M 27	35.0	14.0	16.0	800 M 27
M 30	38.0	14.0	16.0	800 M 30
M 8 x 1	12.0	8.0	9.0	800 M 8 x 1
M 10 x 1	14.0	8.0	9.0	800 M 10 x 1
M 12 x 1	16.0	12.0	13.5	800 M 12 x 1
M 12 x 1.5	16.0	12.0	13.5	800 M 12 x 1.5
M 14 x 1.5	18.0	12.0	13.5	800 M 14 x 1.5
M 16 x 1.5	21.0	12.0	13.5	800 M 16 x 1.5
M 18 x 1.5	22.0	12.0	13.5	800 M 18 x 1.5
M 20 x 1.5	25.0	14.0	15.5	800 M 20 x 1.5
M 22 x 1.5	28.0	14.0	15.5	800 M 22 x 1.5
M 23 x 1.5	29.0	22.0	23.5	800 M 23 x 1.5
M 24 x 1.5	30.0	14.0	15.5	800 M 24 x 1.5
M 25 x 1.5	33.0	14.0	16.0	800 M 25 x 1.5
M 26 x 1.5	34.0	11.0	13.0	800 M 26 x 1.5
M 28 x 1.5	34.5	28.0	30.0	800 M 28 x 1.5
M 30 x 1.5	36.0	14.0	15.5	800 M 30 x 1.5
M 36 x 1.5	44.0	17.0	19.0	800 M 36 x 1.5
M 45 x 1.5	53.0	15.0	17.0	800 M 45 x 1.5
M 22 x 2	28.0	14.0	15.5	800 M 22 x 2
M 30 x 2	38.0	14.0	16.0	800 M 30 x 2
M 36 x 2	44.0	17.0	19.0	800 M 36 x 2
M 42 x 2	50.0	15.0	17.0	800 M 42 x 2
M 45 x 2	53.0	15.0	17.0	800 M 45 x 2
M 52 x 2	60.0	15.0	17.0	800 M 52 x 2

Size in mm

Additional dimensions, heat-resistant types, and bespoke designs available on request, see "Materials and Colours" on page 100.

**Additional information:**

Suitable for a variety of different thread types. Easy-to-grip external rib for easy mounting and removal by hand.

Material:

Polyethylene (PE-HD)

Colour:

Yellow

**PÖPPELMANN**Contact, product search and sample requests: www.poeppelelmann.com**KAPSTO®**

Screw Caps

GPN 800

with Pipe thread

Material:

Polyethylene (PE-HD)

Colour:

Yellow

Thread L	Dimensions			Order no.
	A	G	M	
G 1/8	14.0	8.0	9.0	800 G 1/8
G 1/4	18.0	12.0	13.5	800 G 1/4
G 3/8	21.0	12.0	13.5	800 G 3/8
G 1/2	25.0	14.0	15.5	800 G 1/2
G 5/8	28.0	14.0	15.5	800 G 5/8
G 3/4	32.0	14.0	16.0	800 G 3/4
G 1	39.0	14.0	16.0	800 G 1
G 1 1/4	47.7	17.7	19.7	800 G 1 1/4
G 1 1/2	56.0	17.0	19.0	800 G 1 1/2
G 2	68.0	18.0	20.0	800 G 2
G 2 1/2	80.9	18.0	20.0	800 G 2 1/2

Size in mm

Additional dimensions, heat-resistant types, and bespoke designs available on request, see "Materials and Colours" on page 100.

Screw Caps

GPN 800

with imperial thread

Material:

Polyethylene (PE-HD)

Colour:

Yellow

Thread L	Dimensions			Order no.
	A	G	M	
1/4 - 28 UNF	12.0	8.0	9.0	800 1/4 - 28 UNF
7/16 - 20 UNF	15.0	12.0	13.5	800 7/16 - 20 UNF
1/2 - 20 UNF	18.0	15.0	16.5	800 1/2 - 20 UNF
9/16 - 18 UNF	18.0	12.0	13.5	800 9/16 - 18 UNF
5/8 - 18 UNF	19.3	14.2	15.0	800 5/8 - 18 UNF
3/4 - 16 UNF	24.0	18.0	19.5	800 3/4 - 16 UNF
13/16 - 16 UN	26.0	12.0	14.0	800 13/16 - 16 UN
7/8 - 14 UNF	27.0	20.0	21.5	800 7/8 - 14 UNF
1 - 14 UNF	33.0	14.0	16.0	800 1 - 14 UNS
1 1/16 - 12 UN	34.0	23.0	25.0	800 1 1/16 - 12 UN
1 1/16 - 16 UN	34.0	14.0	16.0	800 1 1/16 - 16 UN
1 3/16 - 20 UN	38.0	14.0	16.0	800 1 3/16 - 20 UN
1 1/4 - 12 UNF	38.0	14.0	16.0	800 1 1/4 - 12 UNF
1 5/16 - 12 UN	40.0	24.0	26.0	800 1 5/16 - 12 UN
1 5/8 - 12 UN	50.0	17.0	19.0	800 1 5/8 - 12 UN
1 7/8 - 12 UN	55.0	17.0	19.0	800 1 7/8 - 12 UN
2 1/4 - 12 UN	66.0	18.0	20.0	800 2 1/4 - 12 UN
2 1/2 - 12 UN	72.0	18.0	20.0	800 2 1/2 - 12 UN

Size in mm

Additional dimensions, heat-resistant types, and bespoke designs available on request, see "Materials and Colours" on page 100.



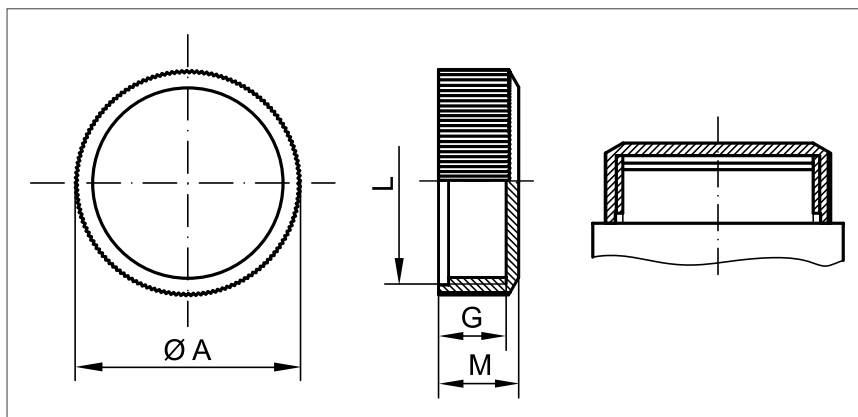
PÖPPELMANN

We will be happy to advise you: +49 4442 982-9100

KAPSTO®

Screw Caps

GPN 801



Thread L	Dimensions			Order no.
	A	G	M	
M 16 x 1	19.0	5.0	6.5	801 M 16 x 1
M 12 x 1.5	15.0	7.0	8.5	801 M 12 x 1.5
M 14 x 1.5	17.0	7.0	8.5	801 M 14 x 1.5
M 16 x 1.5	20.0	7.0	8.5	801 M 16 x 1.5
M 18 x 1.5	21.0	9.0	10.5	801 M 18 x 1.5
M 22 x 1.5	25.0	9.0	10.5	801 M 22 x 1.5
M 26 x 1.5	29.0	10.0	11.5	801 M 26 x 1.5
M 30 x 1.5	33.0	10.0	11.5	801 M 30 x 1.5
M 30 x 2	33.0	10.0	11.5	801 M 30 x 2
M 36 x 2	39.0	10.0	11.5	801 M 36 x 2

Size in mm

Additional dimensions, heat-resistant types, and bespoke designs available on request, see "Materials and Colours" on page 100.



Your KAPSTO® quality benefits:



Time-saving: Flat design for faster installation.

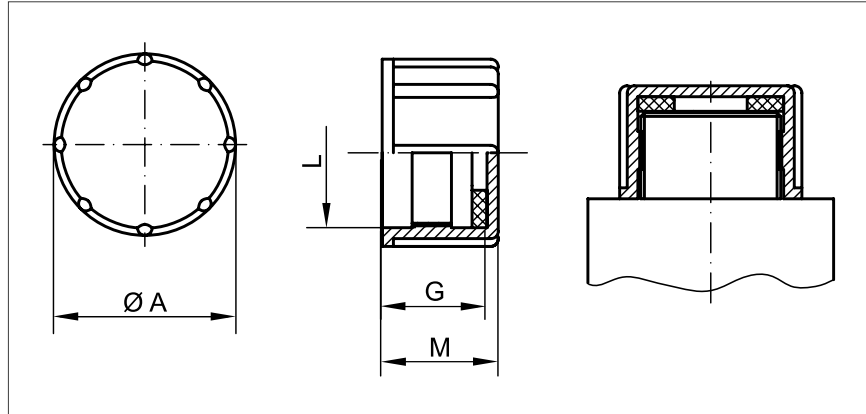


Additional information: Suitable for outer threads. Easy-to-grip external rib for easy mounting and removal by hand.

Material:
Polyethylene (PE-LD)
Colour:
Natural

Screw Cap with Sealing Ring

GPN 804



Thread L	Dimensions			Order no.
	A	G	M	
M 12 x 1	16.0	12.0	13.5	804 M 12 x 1
M 12 x 1.5	16.0	12.0	13.5	804 M 12 x 1.5
M 14 x 1.5	18.0	12.0	13.5	804 M 14 x 1.5
M 16 x 1.5	21.0	12.0	13.5	804 M 16 x 1.5
M 18 x 1.5	22.0	12.0	13.5	804 M 18 x 1.5
M 20 x 1.5	25.0	14.0	15.5	804 M 20 x 1.5
M 24 x 1.5	29.0	22.0	23.5	804 M 24 x 1.5
M 26 x 1.5	30.0	14.0	15.5	804 M 26 x 1.5
M 30 x 2	38.0	14.0	16.0	804 M 30 x 2
M 36 x 2	44.0	17.0	19.0	804 M 36 x 2
M 42 x 2	50.0	15.0	17.0	804 M 42 x 2
M 45 x 2	53.0	15.0	17.0	804 M 45 x 2
M 52 x 2	60.0	15.0	17.0	804 M 52 x 2
G 1/4	18.0	12.0	13.5	804 G 1/4
G 3/8	21.0	12.0	13.5	804 G 3/8
G 1/2	25.0	14.0	15.5	804 G 1/2
G 3/4	32.0	14.0	16.0	804 G 3/4
G 1	39.0	14.0	16.0	804 G 1
G 1 1/4	47.7	17.7	19.7	804 G 1 1/4
9/16 18 UNF	18.0	12.0	13.5	804 9/16 18 UNF
3/4 16 UNF	24.0	18.0	19.5	804 3/4 16 UNF

Your KAPSTO® quality benefits:



Leak Proof: Same design as GPN 800 but with sealing ring for increased sealing properties.



Additional information: Suitable for a variety of different thread types. Easy-to-grip external rib for easy mounting and removal by hand.

Material:

Polyethylene (PE-HD)

Colour:

Yellow

Size in mm

Additional dimensions, heat-resistant types, and bespoke designs available on request, see "Materials and Colours" on page 100.



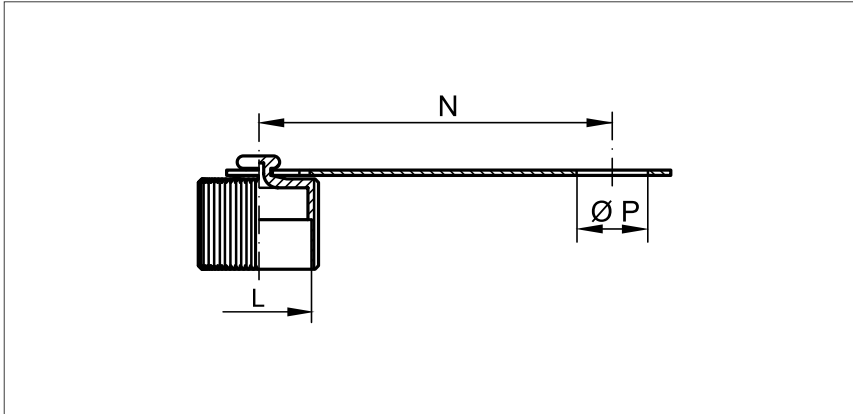
PÖPPELMANN

We will be happy to advise you: +49 4442 982-9100

KAPSTO®

Protective Dust Caps

GPN 930 Type B



Suitable for nominal size	Dimensions			Order no.
	L	N	P	
DN 6 + 8	M 28 x 2	100.0	20.0	930 / 10074*
DN 10 + 12	M 36 x 2	110.0	24.0	930 / 10078*
DN 10 + 12	M 36 x 2	135.0	29.5	930 / 10031
DN 16 + 20	RD 48 x 3	145.0	41.0	930 / 10082*
DN 25 + 32	RD 70 x 3	200.0	55.0	930 / 10086*

Size in mm

Additional dimensions, heat-resistant types, and bespoke designs available on request, see "Materials and Colours" on page 100.



Your KAPSTO® quality benefits:



Standard protection:

Protect open couplings, and particularly their thread.



Leak Proof: Prevents damage and contamination and provides limited sealing action.



Additional information:

Threaded.

Material:

Polyethylene (PE-HD)

Strap material:

Polyethylene (PE-LLD)

Colour:

Red

Protective Plugs



Multi Functional. Like our application advice.

At Pöppelmann KAPSTO®, **friendly and competent employees** will be happy to answer all your questions and give advice on application issues.

Discover what's behind it! Our unique **Product and service benefits:**

- ⊕ Standard product range with more than 3,000 versions – available from stock.
- ⊕ No minimum order quantities, no standard packaging sizes.
- ⊕ Free samples.
- ⊕ Development and production of bespoke solutions on request.
- ⊕ Application advice, catalogue requests and orders: **+49 4442 982-9100.**

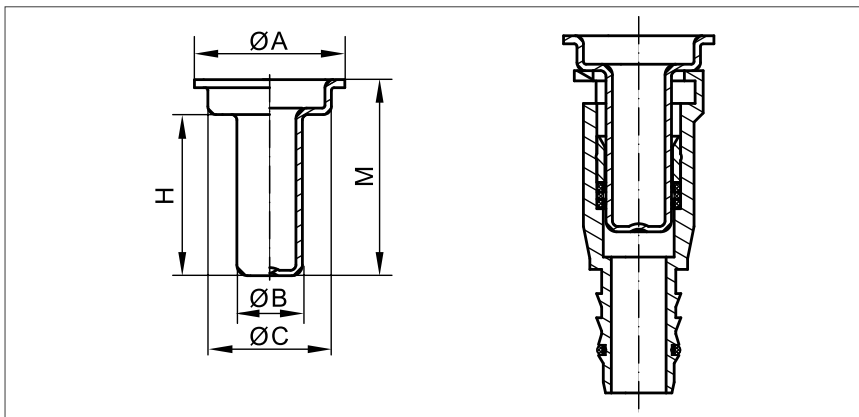


PÖPPELMANN

We will be happy to advise you: **+49 4442 982-9100**

KAPSTO®

QC-Plugs GPN 245



Suitable for SAE couplings nominal size	Dimensions					Order no.
	A	B	C	H	M	
8.0	26.0	7.6	22.0	27.0	33.0	245 QC 8
10.0	23.0	9.6	18.0	30.0	34.0	245 QC 10
12.7	28.0	12.2	23.0	30.0	36.5	245 QC 12.7
14.2	32.0	13.4	28.0	28.0	34.5	245 QC 14.2

Size in mm

Additional dimensions, heat-resistant types, and bespoke designs available on request, see "Materials and Colours" on page 100.



Protective
Plugs

Your KAPSTO® quality benefits:



Standard protection:
Suitable for SAE quick connectors.



Leak Proof: Suitable for limited pressure testing.

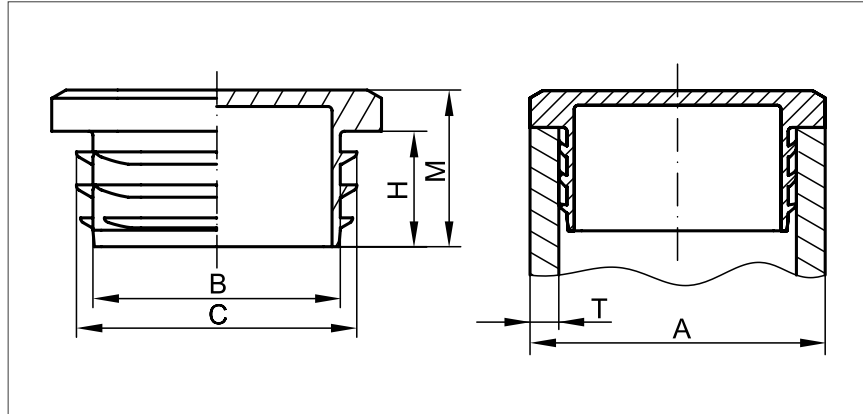


Additional information:
Clamping is carried out gently and safely on the internal sealing rings of the connector.

Material:
Polyethylene (PE-HD)
Colour:
Natural

Square Plugs

GPN 260



Your KAPSTO® quality benefits:



Robust: Reinforced head area for higher demands.



Additional information:
For closing of section tubes. Distinctive external ribs provide a secure press fit. High visual appeal due to grained top surface finish and chamfered edges.

Material:

Polyethylene (PE-LLD)

Colour:

Black

Suitable for pipe dimensions		Dimensions				Order no.	
External A	Wall thickness T	B	C	H	M		
12 x 12	1.5 - 2	7.0	10.0	11.0	15.0	260 Q 1212	1.5 - 2
15 x 15	1.5 - 2	10.0	13.0	11.0	15.0	260 Q 1515	1.5 - 2
16 x 16	1.5 - 2	11.0	14.0	11.0	15.0	260 Q 1616	1.5 - 2
18 x 18	1.5 - 2	13.0	16.0	11.0	15.0	260 Q 1818	1.5 - 2
20 x 20	1.5 - 2	15.0	18.0	11.0	15.0	260 Q 2020	1.5 - 2
22 x 22	1.5 - 2	16.0	20.0	14.0	19.0	260 Q 2222	1.5 - 2
25 x 25	1.5 - 2	19.0	23.0	14.0	19.0	260 Q 2525	1.5 - 2
25 x 25	3	17.0	21.0	14.0	19.0	260 Q 2525	3
30 x 30	1.5 - 2	24.0	28.0	14.0	19.0	260 Q 3030	1.5 - 2
30 x 30	3	22.0	26.0	14.0	19.0	260 Q 3030	3
34 x 34	1.5 - 2	28.0	32.0	14.0	19.0	260 Q 3434	1.5 - 2
34 x 34	3	26.0	30.0	14.0	19.0	260 Q 3434	3
40 x 40	1.5 - 2	34.0	38.0	14.0	19.0	260 Q 4040	1.5 - 2
40 x 40	3	32.0	36.0	14.0	19.0	260 Q 4040	3
40 x 40	4	30.0	34.0	14.0	19.0	260 Q 4040	4
40 x 40	5	28.0	32.0	14.0	19.0	260 Q 4040	5
45 x 45	1.5 - 2	39.0	43.0	14.0	19.0	260 Q 4545	1.5 - 2
50 x 50	1.5 - 2	44.0	48.0	14.0	19.0	260 Q 5050	1.5 - 2
50 x 50	3	42.0	46.0	14.0	19.0	260 Q 5050	3
50 x 50	5	38.0	42.0	14.0	19.0	260 Q 5050	5
60 x 60	1.5 - 2	54.0	58.0	14.0	19.0	260 Q 6060	1.5 - 2
60 x 60	4	50.0	54.0	14.0	19.0	260 Q 6060	4
60 x 60	5	48.0	52.0	14.0	19.0	260 Q 6060	5
70 x 70	3	61.0	66.0	17.0	22.0	260 Q 7070	3
70 x 70	4	59.0	64.0	17.0	22.0	260 Q 7070	4
80 x 80	3	71.0	76.0	17.0	22.0	260 Q 8080	3
90 x 90	1.5 - 2	83.0	88.0	17.0	22.0	260 Q 9090	1.5 - 2
90 x 90	5	77.0	82.0	17.0	22.0	260 Q 9090	5
100 x 100	3	91.0	96.0	17.0	22.0	260 Q 100100	3
100 x 100	5	87.0	92.0	17.0	22.0	260 Q 100100	5
120 x 120	5	107.0	112.0	17.0	22.0	260 Q 120120	5

Size in mm

Additional dimensions, heat-resistant types, and bespoke designs available on request, see "Materials and Colours" on page 100.

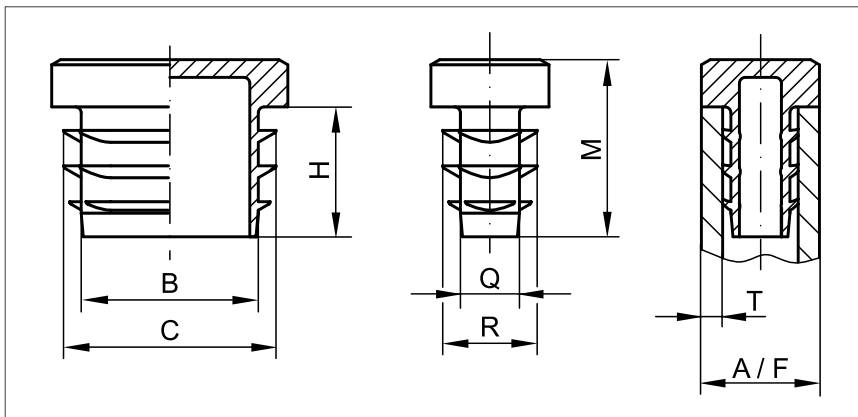


PÖPPELMANN

We will be happy to advise you: +49 4442 982-9100

KAPSTO®

Rectangular Plugs GPN 270



Suitable for pipe dimensions		Dimensions						Order no.	
External A/F	Wall thickness T	B	C	H	M	Q	R		
20 x 10	1.5 - 2	15.0	18.0	11.0	15.0	5.0	8.0	270 R 2010	1.5 - 2
20 x 15	1.5 - 2	15.0	18.0	11.0	15.0	10.0	13.0	270 R 2015	1.5 - 2
25 x 10	1.5 - 2	20.0	23.0	11.0	15.0	5.0	8.0	270 R 2510	1.5 - 2
25 x 15	1.5 - 2	20.0	23.0	11.0	15.0	10.0	13.0	270 R 2515	1.5 - 2
25 x 20	1.5 - 2	20.0	23.0	11.0	15.0	15.0	18.0	270 R 2520	1.5 - 2
30 x 10	1.5 - 2	25.0	28.0	11.0	15.0	5.0	8.0	270 R 3010	1.5 - 2
30 x 15	1.5 - 2	25.0	28.0	11.0	15.0	10.0	13.0	270 R 3015	1.5 - 2
30 x 20	1.5 - 2	25.0	28.0	11.0	15.0	15.0	18.0	270 R 3020	1.5 - 2
30 x 20	3	23.0	26.0	11.0	15.0	13.0	16.0	270 R 3020	3
30 x 25	1.5 - 2	24.0	28.0	14.0	19.0	19.0	23.0	270 R 3025	1.5 - 2
35 x 20	1.5 - 2	29.0	33.0	14.0	19.0	14.0	18.0	270 R 3520	1.5 - 2
35 x 25	1.5 - 2	29.0	33.0	14.0	19.0	19.0	23.0	270 R 3525	1.5 - 2
35 x 30	1.5 - 2	29.0	33.0	14.0	19.0	24.0	28.0	270 R 3530	1.5 - 2
40 x 10	1.5 - 2	34.0	38.0	14.0	19.0	4.0	8.0	270 R 4010	1.5 - 2
40 x 15	1.5 - 2	34.0	38.0	14.0	19.0	9.0	13.0	270 R 4015	1.5 - 2
40 x 20	1.5 - 2	34.0	38.0	14.0	19.0	14.0	18.0	270 R 4020	1.5 - 2
40 x 20	3	32.0	36.0	14.0	19.0	12.0	16.0	270 R 4020	3
40 x 25	1.5 - 2	34.0	38.0	14.0	19.0	19.0	23.0	270 R 4025	1.5 - 2
40 x 30	1.5 - 2	34.0	38.0	14.0	19.0	24.0	28.0	270 R 4030	1.5 - 2
40 x 30	3	32.0	36.0	14.0	19.0	22.0	26.0	270 R 4030	3
45 x 15	1.5 - 2	39.0	43.0	14.0	19.0	9.0	13.0	270 R 4515	1.5 - 2
45 x 20	1.5 - 2	39.0	43.0	14.0	19.0	14.0	18.0	270 R 4520	1.5 - 2
45 x 25	1.5 - 2	39.0	43.0	14.0	19.0	19.0	23.0	270 R 4525	1.5 - 2
48 x 38	1.5 - 2	42.0	46.0	14.0	19.0	32.0	36.0	270 R 4838	1.5 - 2
50 x 20	1.5 - 2	44.0	48.0	14.0	19.0	14.0	18.0	270 R 5020	1.5 - 2
50 x 25	1.5 - 2	44.0	48.0	14.0	19.0	19.0	23.0	270 R 5025	1.5 - 2
50 x 30	1.5 - 2	44.0	48.0	14.0	19.0	24.0	28.0	270 R 5030	1.5 - 2
50 x 30	3	42.0	46.0	14.0	19.0	22.0	26.0	270 R 5030	3
50 x 34	1.5 - 2	44.0	48.0	14.0	19.0	28.0	32.0	270 R 5034	1.5 - 2
50 x 40	1.5 - 2	44.0	48.0	14.0	19.0	34.0	38.0	270 R 5040	1.5 - 2
60 x 20	1.5 - 2	54.0	58.0	14.0	19.0	14.0	18.0	270 R 6020	1.5 - 2
60 x 30	1.5 - 2	54.0	58.0	14.0	19.0	24.0	28.0	270 R 6030	1.5 - 2
60 x 30	3	52.0	56.0	14.0	19.0	22.0	26.0	270 R 6030	3
60 x 40	1.5 - 2	54.0	58.0	14.0	19.0	34.0	38.0	270 R 6040	1.5 - 2
60 x 40	4	50.0	54.0	14.0	19.0	30.0	34.0	270 R 6040	4
60 x 40	5	48.0	52.0	14.0	19.0	28.0	32.0	270 R 6040	5
70 x 30	1.5 - 2	63.0	68.0	17.0	22.0	23.0	28.0	270 R 7030	1.5 - 2
70 x 40	1.5 - 2	63.0	68.0	17.0	22.0	33.0	38.0	270 R 7040	1.5 - 2
70 x 40	4	59.0	64.0	17.0	22.0	29.0	34.0	270 R 7040	4
80 x 20	1.5 - 2	73.0	78.0	17.0	22.0	13.0	18.0	270 R 8020	1.5 - 2
80 x 30	1.5 - 2	73.0	78.0	17.0	22.0	23.0	28.0	270 R 8030	1.5 - 2
80 x 40	1.5 - 2	73.0	78.0	17.0	22.0	33.0	38.0	270 R 8040	1.5 - 2

► Continued on page 48

Your KAPSTO® quality benefits:



Robust: Reinforced head area for higher demands.



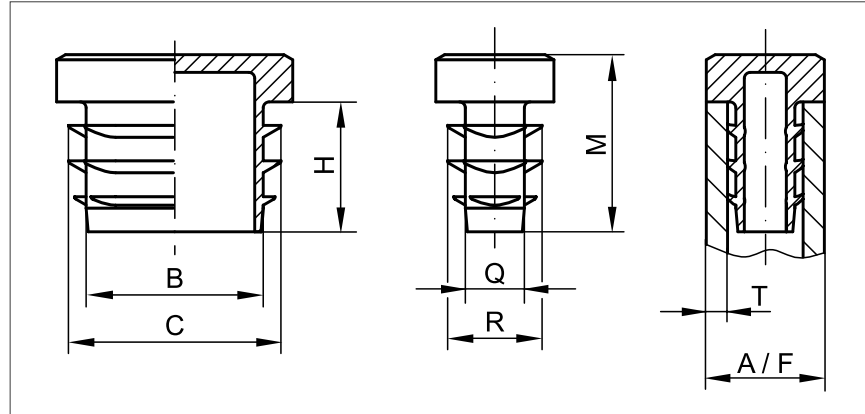
Additional information: For closing of section tubes. Distinctive external ribs provide a secure press fit. High visual appeal due to grained top surface finish and chamfered edges.

Material: Polyethylene (PE-LLD)

Colour: Black

Rectangular Plugs

GPN 270



◀ Continued from page 47

Suitable for pipe dimensions		Dimensions						Order no.	
External A/F	Wall thickness T	B	C	H	M	Q	R		
80 x 40	4	69.0	74.0	17.0	22.0	29.0	34.0	270 R 8040	4
80 x 40	5	67.0	72.0	17.0	22.0	27.0	32.0	270 R 8040	5
80 x 50	1.5 - 2	73.0	78.0	17.0	22.0	43.0	48.0	270 R 8050	1.5 - 2
80 x 50	4	69.0	74.0	17.0	22.0	39.0	44.0	270 R 8050	4
80 x 60	3	71.0	76.0	17.0	22.0	51.0	56.0	270 R 8060	3
80 x 60	5	67.0	72.0	17.0	22.0	47.0	52.0	270 R 8060	5
100 x 40	1.5 - 2	93.0	98.0	17.0	22.0	33.0	38.0	270 R 10040	1.5 - 2
100 x 40	3	91.0	96.0	17.0	22.0	31.0	36.0	270 R 10040	3
100 x 50	3	91.0	96.0	17.0	22.0	41.0	46.0	270 R 10050	3
100 x 50	4	89.0	94.0	17.0	22.0	39.0	44.0	270 R 10050	4
100 x 50	5	87.0	92.0	17.0	22.0	37.0	42.0	270 R 10050	5
120 x 40	3	111.0	116.0	17.0	22.0	31.0	36.0	270 R 12040	3
120 x 60	3	111.0	116.0	17.0	22.0	51.0	56.0	270 R 12060	3
120 x 60	4	109.0	114.0	17.0	22.0	49.0	54.0	270 R 12060	4
120 x 60	5	107.0	112.0	17.0	22.0	47.0	52.0	270 R 12060	5
120 x 80	1.5 - 2	113.0	118.0	17.0	22.0	73.0	78.0	270 R 12080	1.5 - 2
140 x 80	4	129.0	134.0	17.0	22.0	69.0	74.0	270 R 14080	4

Size in mm

Additional dimensions, heat-resistant types, and bespoke designs available on request, see "Materials and Colours" on page 100.

Your KAPSTO® quality benefits:



Robust: Reinforced head area for higher demands.



Additional information:
For closing of section tubes. Distinctive external ribs provide a secure press fit. High visual appeal due to grained top surface finish and chamfered edges.

Material:
Polyethylene (PE-LLD)
Colour:
Black



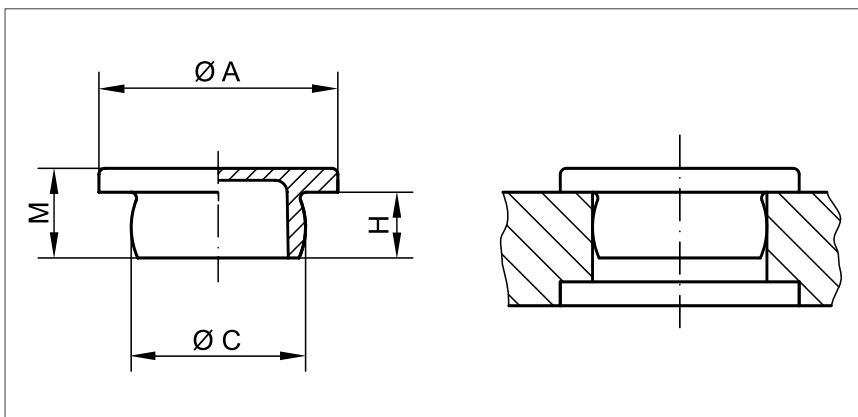
PÖPPELMANN

We will be happy to advise you: +49 4442 982-9100

KAPSTO®

Closure Plugs

GPN 300 F



Dimensions				Order no.
A	C	H	M	
5.0	3.1	2.0	3.0	300 F 1
7.0	4.7	1.8	2.6	300 F 011
9.0	6.6	4.0	5.2	300 F 012
14.0	7.2	6.0	8.0	300 F 2
14.0	8.4	6.0	8.0	300 F 3
14.0	8.6	4.5	6.5	300 F 031
18.0	8.6	6.0	8.0	300 F 0315
13.0	8.8	7.5	9.5	300 F 032
14.0	9.2	4.5	6.5	300 F 4
14.0	9.4	4.5	6.5	300 F 041
13.0	10.3	5.5	7.5	300 F 042
14.0	10.7	5.5	7.5	300 F 5
16.0	11.7	7.0	9.0	300 F 7
16.0	12.3	7.0	9.0	300 F 9
16.0	13.0	7.0	9.0	300 F 091
20.0	13.7	8.0	10.0	300 F 10
20.0	14.6	5.5	7.5	300 F 11
20.0	15.0	8.0	10.0	300 F 111
20.0	15.0	5.5	7.5	300 F 112
20.0	15.6	8.0	10.0	300 F 12
22.0	16.7	5.5	7.5	300 F 14
22.0	16.5	5.5	7.5	300 F 141
20.0	16.5	5.5	7.5	300 F 142
22.0	17.1	8.0	10.5	300 F 15
25.0	18.4	8.0	10.5	300 F 17
25.0	19.3	8.0	10.8	300 F 18
25.0	21.4	7.5	9.5	300 F 181
25.0	21.7	8.0	10.5	300 F 182
25.0	19.6	8.0	10.5	300 F 183
25.0	21.2	8.0	10.0	300 F 184
25.0	20.7	8.0	10.5	300 F 19
28.0	22.4	9.0	12.0	300 F 21
28.0	23.6	9.0	12.0	300 F 211

Size in mm

Additional dimensions, heat-resistant types, and bespoke designs available on request, see "Materials and Colours" on page 100.

Dimensions				Order no.
A	C	H	M	
28.0	24.0	9.0	12.0	300 F 22
28.0	24.6	9.0	12.0	300 F 23
27.0	24.5	8.5	11.0	300 F 231
28.0	25.5	7.5	9.5	300 F 232
28.0	26.5	9.0	12.0	300 F 233
36.0	29.0	12.0	15.0	300 F 24
36.0	30.5	12.0	15.0	300 F 241
36.0	31.0	12.0	15.0	300 F 242
36.0	32.0	10.0	12.5	300 F 25
36.0	33.5	12.0	14.0	300 F 26
42.0	34.8	15.0	18.0	300 F 27
42.0	35.5	15.0	18.0	300 F 271
42.0	36.5	15.0	18.0	300 F 28
42.0	38.4	10.0	12.5	300 F 30
42.0	39.0	15.0	18.0	300 F 301
42.0	40.0	15.0	18.0	300 F 31
45.0	40.7	15.0	18.0	300 F 311
48.0	42.3	15.0	18.0	300 F 312
55.0	46.0	18.0	21.0	300 F 32
55.0	48.5	12.0	15.0	300 F 33
55.0	51.5	18.0	21.0	300 F 35
63.0	55.0	18.0	21.0	300 F 37
63.0	55.8	18.0	21.0	300 F 38
63.0	58.0	18.0	21.0	300 F 40
71.0	66.0	18.0	21.5	300 F 401
63.0	59.0	18.0	21.3	300 F 402
78.0	71.0	18.0	22.0	300 F 41
86.0	75.8	19.0	22.0	300 F 411
95.0	86.0	18.0	19.3	300 F 42
124.0	102.5	18.0	21.5	300 F 44
152.0	123.5	18.0	21.5	300 F 47
165.0	152.0	17.5	20.0	300 F 52
200.0	182.0	19.5	22.0	300 F 55

► Application guide data, see page 51



Your KAPSTO® quality benefits:



Multi Functional: Multi functional use for internal threads and bore holes.



Additional information: Flat-headed design. Firm fit due to crowned shank.

Material:

Polyethylene (PE-LD)

Material from GPN 300 F 52:

Polyethylene (PE-LLD)

Colour:

Natural



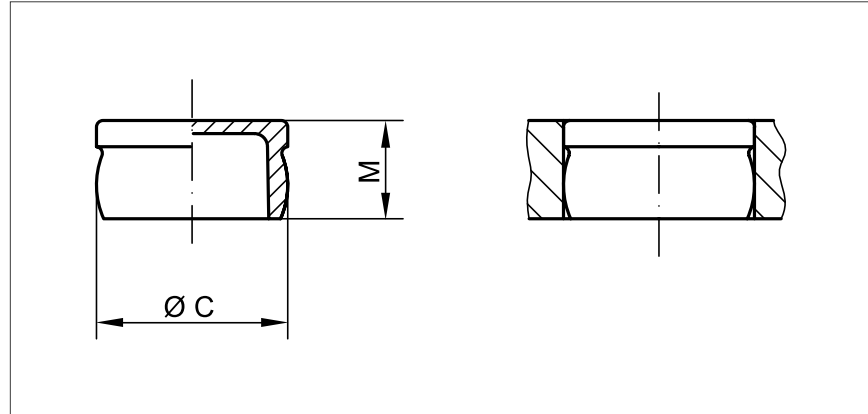
PÖPPELMANN

Contact, product search and sample requests: www.poepelmann.com

KAPSTO®

Closure Plugs

GPN 300 V



Your KAPSTO® quality benefits:



Multi Functional: Multi functional use for internal threads and bore holes.



Additional information: Application as for F-type but with smaller head diameter for recessed mounting.

Material:

Polyethylene (PE-LD)

Colour:

Natural

Dimensions		Order no.
C	M	
6.2	8.0	300 V 011
7.2	8.0	300 V 2
8.4	8.0	300 V 3
8.6	6.5	300 V 031
9.2	6.5	300 V 4
9.4	6.5	300 V 041
10.7	7.5	300 V 5
11.7	9.0	300 V 7
12.3	9.0	300 V 9
13.0	9.0	300 V 091
13.7	10.0	300 V 10
14.6	7.5	300 V 11
15.0	10.0	300 V 111
15.0	7.5	300 V 112
15.6	10.0	300 V 12
16.5	7.5	300 V 142
16.7	7.5	300 V 14
17.1	10.5	300 V 15
18.4	10.5	300 V 17
19.3	10.8	300 V 18
21.4	9.5	300 V 181
21.7	10.5	300 V 182
19.6	10.5	300 V 183
21.2	10.0	300 V 184
20.7	10.5	300 V 19
22.4	11.5	300 V 21

Size in mm

Dimensions		Order no.
C	M	
23.6	12.0	300 V 211
24.0	12.0	300 V 22
24.6	12.0	300 V 23
24.5	11.0	300 V 231
25.5	9.5	300 V 232
26.5	12.0	300 V 233
29.0	15.0	300 V 24
30.5	15.0	300 V 241
32.0	12.5	300 V 25
33.5	15.0	300 V 26
34.8	18.0	300 V 27
35.5	18.0	300 V 271
36.5	18.0	300 V 28
38.4	12.5	300 V 30
39.0	18.0	300 V 301
40.0	18.0	300 V 31
40.7	18.0	300 V 311
42.3	18.0	300 V 312
46.0	21.0	300 V 32
48.5	15.0	300 V 33
51.5	21.0	300 V 35
55.0	21.0	300 V 37
55.8	21.0	300 V 38
58.0	21.0	300 V 40
66.0	21.5	300 V 401
71.0	22.0	300 V 41

► Application guide data, see page 51

Additional dimensions, heat-resistant types, and bespoke designs available on request, see "Materials and Colours" on page 100.



PÖPPELMANN

We will be happy to advise you: +49 4442 982-9100

KAPSTO®

Closure Plugs

GPN 300

Application Guide

Metric threads				Pipe thread	Order no.	
Standard thread	Fine thread				F-Type	V-Type
M 3.5					300 F 1	
	M 5 x 0.5				300 F 011	
M 7						300 V 011
	M 7.5 x 1				300 F 012	
M 8	M 8 x 1			1/16	300 F 2	300 V 2
	M 9 x 1				300 F 3	300 V 3
M 10					300 F 031	300 V 031
M 10					300 F 0315	
M 10	M 9.5 x 1			1/8	300 F 032	
	M 10 x 1			1/8	300 F 4	300 V 4
	M 10 x 1				300 F 041	300 V 041
M 12	M 11 x 1				300 F 042	
M 12		M 12 x 1.5			300 F 5	300 V 5
	M 12 x 1	M 13 x 1.5		1/4	300 F 7	300 V 7
M 14	M 13 x 1			1/4	300 F 9	300 V 9
	M 13.5 x 1	M 14 x 1.5			300 F 091	300 V 091
		M 15 x 1.5			300 F 10	300 V 10
M 16	M 15 x 1				300 F 11	300 V 11
		M 16 x 1.5			300 F 111	300 V 111
		M 16 x 1.5			300 F 112	300 V 112
M 18	M 16 x 1			3/8	300 F 12	300 V 12
		M 18 x 1.5			300 F 14	300 V 14
	M 17 x 1	M 18 x 1.5			300 F 141	
	M 17 x 1	M 18 x 1.5			300 F 142	300 V 142
		M 18 x 1.5			300 F 15	300 V 15
	M 19 x 1		M 20 x 2		300 F 17	300 V 17
	M 20 x 1		M 21 x 2	1/2	300 F 18	300 V 18
M 24	M 22 x 1		M 23 x 2		300 F 181	300 V 181
	M 22 x 1				300 F 182	300 V 182
M 22		M 21 x 1.5			300 F 183	300 V 183
M 24	M 22 x 1			5/8	300 F 184	300 V 184
		M 22 x 1.5			300 F 19	300 V 19
	M 23 x 1		M 24 x 2		300 F 21	300 V 21
	M 24 x 1	M 25 x 1.5	M 25 x 2		300 F 211	300 V 211
M 27		M 25 x 1.5			300 F 22	300 V 22
	M 25 x 1	M 26 x 1.5	M 26 x 2	3/4	300 F 23	300 V 23
M 25	M 25 x 1		M 26 x 2		300 F 231	300 V 23
	M 26 x 1		M 27 x 2		300 F 232	300 V 232
M 30	M 27 x 1		M 28 x 2		300 F 233	300 V 233
		M 30 x 1.5			300 F 24	300 V 24
	M 31 x 1		M 32 x 2	1	300 F 241	300 V 241
		M 32 x 1.5		1	300 F 242	
M 36		M 33 x 1.5			300 F 25	300 V 25
	M 34 x 1		M 35 x 2	M 36 x 3	300 F 26	300 V 26
		M 36 x 1.5			300 F 27	300 V 27
M 39	M 36 x 1		M 37 x 2	M 38 x 3	300 F 271	300 V 271
	M 37 x 1		M 38 x 2	M 39 x 3	300 F 28	300 V 28
	M 39 x 1		M 40 x 2		300 F 30	300 V 30
		M 40 x 1.5		M 42 x 3	300 F 301	300 V 301
M 45		M 42 x 1.5	M 42 x 2		300 F 311	300 V 311
				M 45 x 3	300 F 312	300 V 312
				M 50 x 4	300 F 32	
			M 50 x 2		300 F 33	300 V 33
	M 52 x 1			1 3/4	300 F 35	300 V 35
		M 56 x 1.5			300 F 37	300 V 37
	M 56 x 1				300 F 38	300 V 38
M 64				M 62 x 4	300 F 40	300 V 40
				M 70 x 4	300 F 401	300 V 401
		M 60 x 1.5			300 F 402	
		M 72 x 1.5		M 75 x 4	300 F 41	300 V 41
				M 90 x 4	300 F 42	
				M 105 x 3	300 F 44	
			M 125 x 2		300 F 47	
				M 155 x 3	300 F 52	
				M 185 x 3	300 F 55	

◀ For product dimensions refer to page 49 (F-Type) and 25 (V-Type), respectively 50



F-Type



V-Type



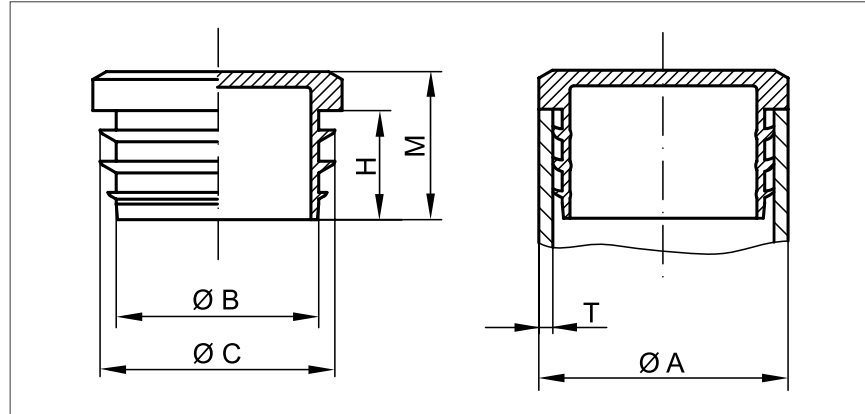
Additional information:

When making your selection, please note that the shaft diameter C must be approximately 0.2 to 0.8 mm larger (depending on nominal dimension) than the bore or core diameter of the thread you wish to close. This application table is a guide only. We will be happy to send you free samples for testing.



Finned Plugs

GPN 320



Your KAPSTO® quality benefits:



Standard protection: To close off round pipes in accordance with DIN EN 10220, DIN EN 10255, and DIN EN ISO 1127.



Robust: Solid design for increased demands.



Multi Functional: Ribs on the shank provide a secure fit even with varying tube tolerances.



Additional information: High visual appeal due to grained top surface finish and chamfered edges.

Material:

Polyethylene (PE-LLD)

Colour:

Black

Suitable for pipe dimensions		Dimensions				Order no.
External A	Wall thickness T	B	C	H	M	
10.0	1-2	5.0	8.5	11.0	15.0	320 GL 10 1-2
12.0	1-2	7.0	10.5	11.0	15.0	320 GL 12 1-2
13.0	1-2	8.0	11.5	11.0	15.0	320 GL 13 1-2
14.0	1-2	9.0	12.5	11.0	15.0	320 GL 14 1-2
15.0	1-2	10.0	13.5	11.0	15.0	320 GL 15 1-2
16.0	1-2	11.0	14.5	11.0	15.0	320 GL 16 1-2
18.0	1-2	13.0	16.5	11.0	15.0	320 GL 18 1-2
20.0	1-2	15.0	18.5	11.0	15.0	320 GL 20 1-2
22.0	1-2	16.0	20.5	14.0	19.0	320 GL 22 1-2
25.0	1-2	19.0	23.5	14.0	19.0	320 GL 25 1-2
27.0	1-2	21.0	25.5	14.0	19.0	320 GL 27 1-2
28.0	1-2	22.0	26.5	14.0	19.0	320 GL 28 1-2
30.0	1-2	24.0	28.5	14.0	19.0	320 GL 30 1-2
32.0	1-2	26.0	30.5	14.0	19.0	320 GL 32 1-2
34.0	1-2	28.0	32.5	14.0	19.0	320 GL 34 1-2
35.0	1-2	29.0	33.5	14.0	19.0	320 GL 35 1-2
36.0	1-2	30.0	34.5	14.0	19.0	320 GL 36 1-2
38.0	1-2	32.0	36.5	14.0	19.0	320 GL 38 1-2
40.0	1-2	34.0	38.5	14.0	19.0	320 GL 40 1-2
42.0	1-2	36.0	40.5	14.0	19.0	320 GL 42 1-2
45.0	1-2	39.0	43.5	14.0	19.0	320 GL 45 1-2
48.0	1-2	42.0	46.5	14.0	19.0	320 GL 48 1-2
50.0	1-2	43.0	48.5	17.0	22.0	320 GL 50 1-2
55.0	1-2	48.0	53.5	17.0	22.0	320 GL 55 1-2
60.0	1-2	53.0	58.5	17.0	22.0	320 GL 60 1-2
60.0	2-3	51.0	56.5	17.0	22.0	320 GL 60 2-3
70.0	2-3	61.0	66.5	17.0	22.0	320 GL 70 2-3
70.0	3-4	59.0	64.5	17.0	22.0	320 GL 70 3-4
76.0	2-3	67.0	72.5	17.0	22.0	320 GL 76 2-3
76.0	3-4	65.0	70.5	17.0	22.0	320 GL 76 3-4
90.0	2-3	81.0	86.5	17.0	22.0	320 GL 90 2-3
90.0	3-4	79.0	84.5	17.0	22.0	320 GL 90 3-4
102.0	2-3	93.0	98.5	17.0	22.0	320 GL 102 2-3
102.0	3-4	91.0	96.5	17.0	22.0	320 GL 102 3-4

Size in mm

Additional dimensions, heat-resistant types, and bespoke designs available on request, see "Materials and Colours" on page 100.



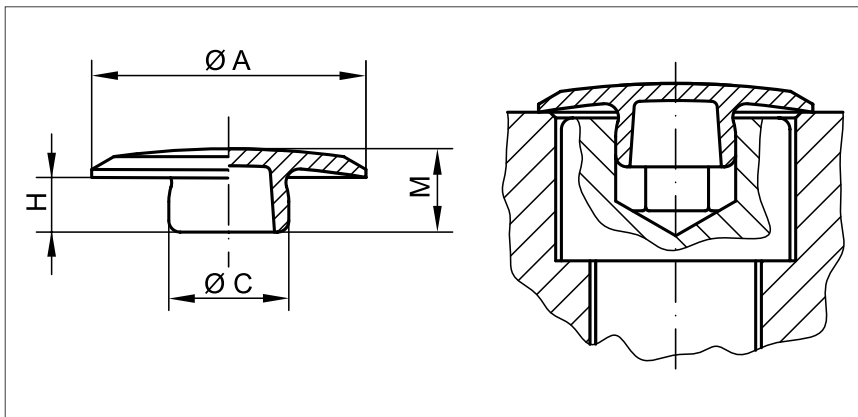
PÖPPELMANN

We will be happy to advise you: +49 4442 982-9100

KAPSTO®

Covers

GPN 340



Suitable for screws						Order no.
Thread	Hexagon socket width across flats	A	C	H	M	
M 3	2,5	10,0	2,8	2,2	4,0	340 SW 2,5
M 4	3	12,0	3,3	2,3	4,3	340 SW 3
M 5	4	14,0	4,4	2,9	4,9	340 SW 4
M 6	5	15,0	5,4	3,3	5,3	340 SW 5
M 8	6	19,0	6,3	4,0	6,1	340 SW 6
M 10	8	22,0	8,5	4,5	7,0	340 SW 8
M 12	10	24,0	10,5	5,0	7,3	340 SW 10
M 16	14	30,0	14,5	7,1	9,7	340 SW 14
M 20	17	36,5	17,5	9,0	11,6	340 SW 17

Size in mm

Additional dimensions, heat-resistant types, and bespoke designs available on request, see "Materials and Colours" on page 100.



Protective
Plugs

Your KAPSTO® quality benefits:



Standard protection:

Suitable for countersunk hexagonal socket head screws in accordance with DIN EN ISO 4762 and locking screws conforming to DIN 908.

Material:

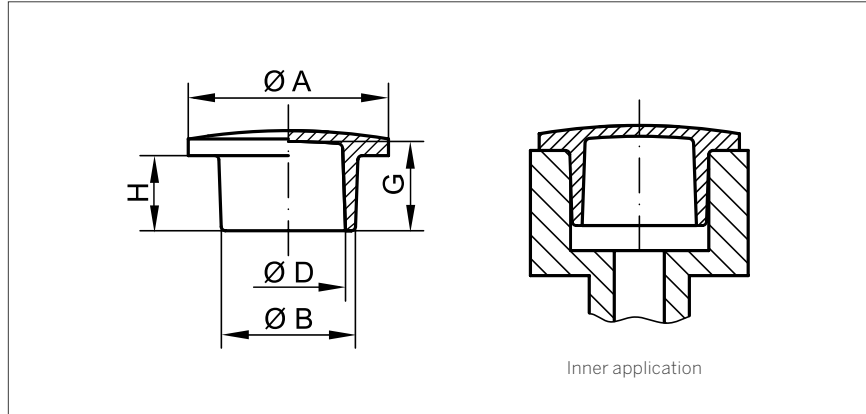
Polyethylene (PE-LD)

Colour:

Gray

Closures

GPN 350



Your KAPSTO® quality benefits:



Multi Functional: Can be used as plug or cap.



Additional information: Suitable for apertures, studs, conductors, and threads.

Material:

Polyethylene (PE-LD)

Colour:

Natural

Dimensions					
A	Inner application		D	G	Order no.
	B	H			
13.0	6.2	6.0	3.8	7.3	350 2
13.0	6.4	9.0	5.0	10.8	350 3
13.0	7.1	6.0	4.7	7.8	350 4
13.0	8.2	6.0	5.8	7.8	350 5
13.0	7.8	9.0	6.0	10.8	350 6
13.0	9.3	6.0	7.7	7.3	350 7
16.0	10.4	8.0	8.1	9.2	350 8
16.0	10.4	11.0	8.0	12.8	350 9
16.0	10.8	8.0	8.8	9.8	350 10
16.0	11.3	8.0	9.4	9.3	350 11
16.0	11.9	13.0	9.7	14.5	350 12
16.0	11.9	8.0	9.7	9.2	350 13
19.0	12.9	8.0	10.9	9.8	350 14
19.0	13.9	8.0	11.7	9.8	350 15
19.0	14.0	16.0	11.7	17.7	350 16
19.0	14.5	8.0	12.5	9.3	350 17
19.0	15.0	8.0	13.0	9.3	350 18
24.0	15.9	9.0	13.7	10.7	350 20
24.0	17.0	9.0	14.7	10.6	350 21
24.0	17.8	22.0	14.7	23.3	350 22
24.0	17.7	9.0	15.7	10.7	350 23
24.0	18.3	9.0	16.5	10.7	350 24
26.0	19.9	10.0	17.7	12.2	350 25
26.0	20.9	10.0	18.7	12.2	350 26
26.0	21.5	26.0	18.7	28.2	350 27
26.0	22.0	10.0	19.7	12.2	350 28
26.0	22.7	10.0	20.5	12.2	350 29
29.0	23.2	10.0	21.2	12.2	350 30
29.0	23.7	10.0	21.7	12.2	350 31
29.0	24.4	10.0	23.0	12.2	350 32
29.0	25.0	10.0	23.7	12.2	350 33
33.0	26.3	11.0	24.9	13.2	350 35
33.0	27.2	11.0	25.2	13.2	350 36
33.0	28.3	11.0	25.7	13.2	350 37
33.0	29.3	11.0	26.9	12.5	350 38
36.0	30.1	11.0	27.9	12.6	350 39
36.0	30.4	11.0	28.3	13.2	350 40
36.0	32.0	11.0	29.7	12.5	350 41

Size in mm

► Continued on page 55

Additional dimensions, heat-resistant types, and bespoke designs available on request, see "Materials and Colours" on page 100.



PÖPPELMANN

We will be happy to advise you: +49 4442 982-9100

KAPSTO®

Closures

GPN 350

◀ Continued from page 54

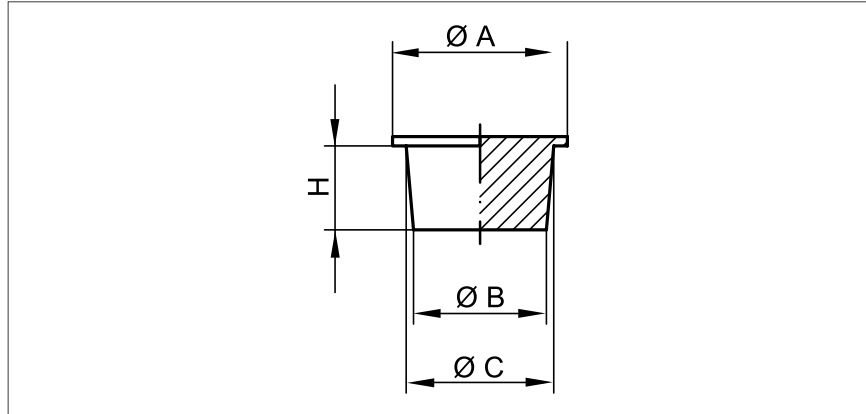
Dimensions					
A	Internal application		D	G	Order no.
	B	H			
36.0	32.8	11.0	30.5	13.2	350142
42.0	33.9	12.0	31.5	14.2	350143
42.0	34.5	12.0	32.5	14.2	350144
42.0	35.3	12.0	32.4	14.2	350145
42.0	36.5	12.0	34.7	14.2	350146
45.0	38.0	12.0	35.7	14.2	350147
45.0	38.9	12.0	36.7	14.2	350148
45.0	39.4	12.0	37.5	14.2	350149
45.0	40.2	12.0	38.5	14.2	350150
50.0	41.8	12.0	39.5	13.7	350151
50.0	43.7	12.0	41.5	14.2	350152
50.0	44.8	12.0	42.0	14.2	350153
56.0	46.8	12.0	44.5	13.7	350154
55.0	48.3	12.0	46.3	14.2	3501541
56.0	48.7	12.0	46.7	14.2	350155
56.0	50.5	20.0	47.5	22.2	350156
62.0	54.0	13.0	51.5	14.2	350157
65.0	59.4	15.0	56.9	15.0	3501570
65.0	60.8	18.0	58.0	18.0	3501571
72.0	62.5	14.0	59.2	16.0	350158
85.0	79.5	18.0	76.5	18.0	3501581
88.0	75.6	14.0	72.9	16.5	350159
92.0	88.5	20.0	85.0	20.0	350160

Size in mm

Additional dimensions, heat-resistant types, and bespoke designs available on request, see "Materials and Colours" on page 100.

Tapered Plugs

GPN 500



Suitable for thread	Dimensions				Order no.
	A	B	C	H	
M 4	5.5	3.2	3.5	3.0	500 B 31
M 5	7.5	4.1	4.5	3.0	500 B 41
M 5 x 0.5	8.0	4.4	4.7	3.0	500 B 43
M 6	8.0	4.9	5.4	4.0	500 B 47
M 6 x 0.5	8.5	5.4	5.6	3.0	500 B 53
M 7	9.0	5.8	6.1	4.0	500 B 58
M 8	9.0	6.4	6.8	4.0	500 B 64
M 8 x 1	10.0	6.8	7.2	4.0	500 B 68
M 9 x 1	11.0	7.8	8.2	4.0	500 B 78

Size in mm

Additional dimensions, heat-resistant types, and bespoke designs available on request, see "Materials and Colours" on page 100.

Your KAPSTO® quality benefits:



Robust: Solid design for increased demands.



Multi Functional: Tapered plug to accommodate tolerances.



Additional information: For closing internal threads and bore holes.

Material:

Polyethylene (PE-LD)

Colour:

Natural



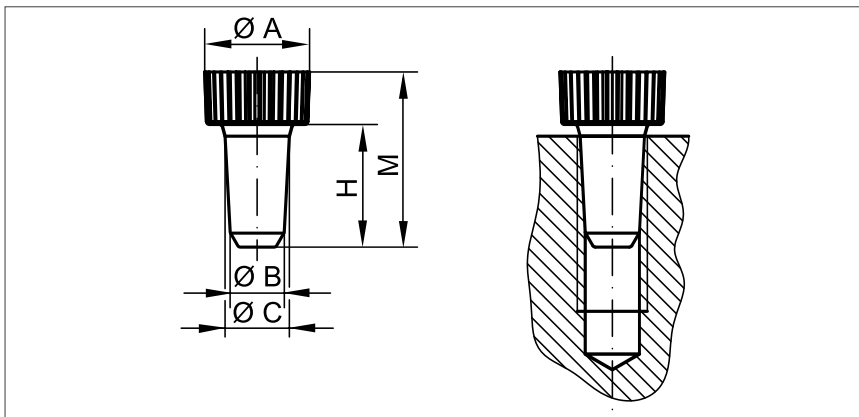
PÖPPELMANN

We will be happy to advise you: +49 4442 982-9100

KAPSTO®

Screw-in Plugs

GPN 550



Suitable for thread	Dimensions					Order no.
	A	B	C	H	M	
M 2	7.0	1.3	2.0	7.0	14.0	550 / 002
M 3	7.0	2.1	3.0	12.0	19.0	550 / 003
M 4	8.0	2.8	4.0	15.0	22.0	550 / 004
M 5	9.0	3.6	5.0	18.0	27.0	550 / 005
M 6	11.0	4.3	5.8	18.0	27.0	550 / 006
M 7	11.0	5.0	6.5	18.0	27.0	550 / 007
M 8	14.0	6.0	7.5	18.0	27.0	550 / 008
M 9	14.0	6.5	8.5	18.0	27.0	550 / 009
M 10	16.0	7.6	9.3	21.0	30.0	550 / 010
M 12	18.0	9.3	11.0	21.0	30.0	550 / 012

Size in mm

Additional dimensions, heat-resistant types, and bespoke designs available on request, see "Materials and Colours" on page 100.



Protective
Plugs

Your KAPSTO® quality benefits:



Robust: Thick-walled shaft for increased demands.



Multi Functional: Tapered plug to accommodate tolerances.



Additional information: Self-tapping plug for tight closure of threads or bore holes. Ideal for painting processes.

Material:

Polyethylene (PE-LD)

Colour:

Yellow



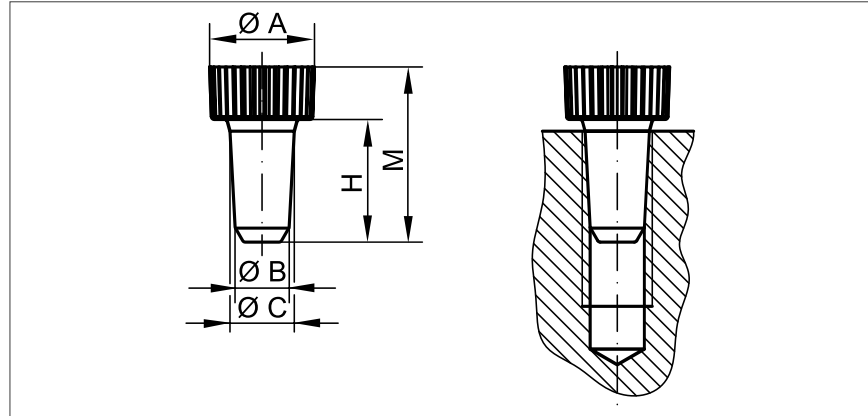
PÖPPELMANN

Contact, product search and sample requests: www.poeppelmann.com

KAPSTO®

Screw-in Plugs

GPN 551



Suitable for thread	Dimensions					Order no.
	A	B	C	H	M	
M2	7.0	1.3	2.0	7.0	14.0	551 / 002
M3	7.0	2.1	3.0	12.0	19.0	551 / 003
M4	8.0	2.8	4.0	15.0	22.0	551 / 004
M5	9.0	3.6	5.0	18.0	27.0	551 / 005
M6	11.0	4.3	5.8	18.0	27.0	551 / 006
M7	11.0	5.0	6.5	18.0	27.0	551 / 007
M8	14.0	6.0	7.5	18.0	27.0	551 / 008
M9	14.0	6.5	8.5	18.0	27.0	551 / 009
M10	16.0	7.6	9.3	21.0	30.0	551 / 010
M12	18.0	9.3	11.0	21.0	30.0	551 / 012

Size in mm

Additional dimensions, heat-resistant types, and bespoke designs available on request, see "Materials and Colours" on page 100.

Your KAPSTO® quality benefits:



Temperature resistant:

Heat resistant to 180 °C.
More details: page 101,
"Physical properties".



Robust: Thick-walled shaft
for increased demands.



Multi Functional:

Tapered plug to
accommodate tolerances.



Additional information:

Self-tapping plug for tight
closure of threads or bore
holes. Ideal for painting
processes.

Material:

Thermoplastic polyester elastomer (PHT)

Colour:

Red

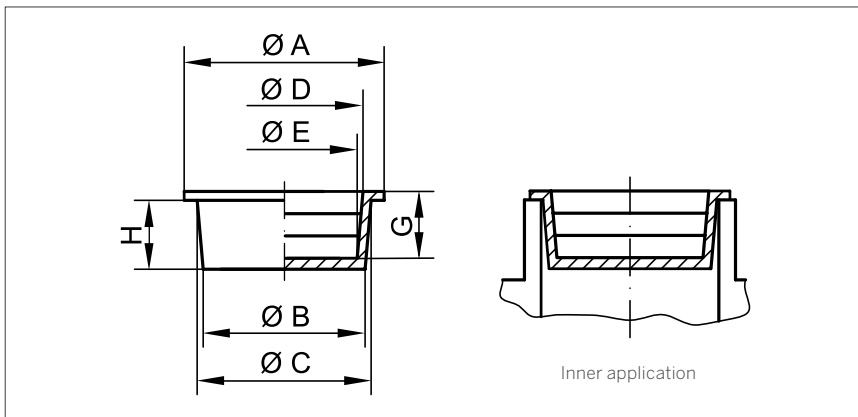


PÖPPELMANN

We will be happy to advise you: +49 4442 982-9100

KAPSTO®

Tapered Closures GPN 600



Dimensions							
A	Inner application			D	E	G	Order no.
	B	C	H				
11.0	8.1	9.2	7.2	7.8	6.6	7.0	600 B 81
12.0	9.8	11.0	7.2	9.6	8.4	7.0	600 B 98
14.0	10.6	11.6	7.0	10.0	8.8	6.9	600 B 106
15.0	11.4	12.4	7.0	11.2	10.0	6.8	600 B 114
16.0	13.3	14.4	7.0	12.8	11.6	6.8	600 B 133
17.0	14.0	15.1	7.2	13.6	12.4	6.9	600 B 140
18.0	14.6	15.6	7.2	14.5	13.3	6.9	600 B 146
18.0	15.3	16.4	7.0	14.8	13.6	7.0	600 B 153
20.0	16.0	17.3	9.0	16.2	14.6	8.8	600 B 160
21.0	17.4	18.8	9.2	18.0	16.4	8.8	600 B 174
22.0	18.2	19.6	9.0	18.8	17.2	8.8	600 B 182
24.0	18.7	20.0	9.2	19.0	17.7	8.7	600 B 187
24.0	19.8	21.2	8.8	19.7	18.3	8.8	600 B 198
25.0	20.3	22.6	14.0	20.8	18.4	13.8	600 B 203
26.0	21.2	23.3	14.2	22.0	19.6	14.0	600 B 212
28.0	23.0	25.0	14.0	24.0	21.6	13.8	600 B 230
30.0	24.3	26.4	14.0	25.0	22.6	13.6	600 B 243
30.0	25.7	27.8	14.2	26.8	24.4	13.8	600 B 257
32.0	27.2	29.3	14.0	27.0	24.6	13.8	600 B 272
35.0	30.0	32.0	14.0	30.6	28.4	13.8	600 B 300
38.0	32.0	34.0	14.0	32.0	29.6	14.0	600 B 320
40.0	33.6	36.0	14.0	34.0	31.6	14.0	600 B 336
41.0	34.5	37.0	14.0	35.0	32.6	14.0	600 B 345
42.0	35.5	38.1	14.0	35.5	33.1	14.0	600 B 355
42.0	36.0	38.4	14.0	36.0	33.6	14.0	600 B 360
44.0	37.9	40.0	13.8	38.0	35.6	13.8	600 B 379
43.0	38.5	41.0	14.0	39.5	37.1	14.0	600 B 385
46.0	39.8	42.0	14.0	39.5	37.1	14.0	600 B 398
47.0	41.3	43.5	14.0	41.5	39.1	14.0	600 B 413
51.5	43.9	46.0	13.5	42.0	40.2	13.6	600 B 439
52.0	45.5	47.5	13.5	45.0	43.0	13.6	600 B 455
54.0	47.9	50.0	13.5	46.5	44.1	13.6	600 B 479
56.0	49.8	51.6	13.3	48.5	46.1	13.5	600 B 498
55.0	50.5	53.3	14.0	51.3	48.8	14.2	600 B 505
58.0	52.5	54.9	13.5	52.5	50.6	13.5	600 B 525
60.0	54.5	56.2	13.5	54.0	51.6	13.5	600 B 545
61.0	55.5	58.0	13.6	55.0	52.6	13.5	600 B 555
63.0	57.0	59.0	13.4	56.8	54.5	13.5	600 B 570
64.0	58.5	60.8	13.5	58.0	55.6	13.5	600 B 585
66.0	60.5	63.0	13.5	60.0	57.6	14.0	600 B 605
67.0	61.3	63.5	13.0	61.0	58.6	13.5	600 B 613
68.0	62.5	64.8	13.2	62.0	59.6	13.5	600 B 625
69.0	63.5	65.7	13.0	63.0	60.1	13.5	600 B 635
71.0	65.0	67.3	13.0	64.5	62.3	13.3	600 B 650
72.0	66.0	67.5	13.0	65.0	62.6	13.0	600 B 660
74.0	67.9	69.5	13.0	67.0	64.6	13.5	600 B 679
75.0	69.8	71.7	13.0	68.0	66.0	13.5	600 B 698
77.0	71.5	73.4	13.0	70.0	67.6	13.0	600 B 715
79.0	72.8	74.0	13.0	70.0	67.6	13.5	600 B 728
85.0	74.0	76.6	17.0	73.0	69.9	17.0	600 B 740
87.0	76.5	79.0	16.8	76.5	73.4	17.0	600 B 765
88.0	77.5	80.0	17.0	76.0	72.9	17.2	600 B 775

Size in mm

► Continued on page 60

Additional dimensions, heat-resistant types, and bespoke designs available on request, see "Materials and Colours" on page 100.

Your KAPSTO® quality benefits:



Multi Functional: Can be used universally as plug or cap. The tapered design is ideal for accommodating tolerances.



Additional information: To close off bore holes and internal threads, or to protect studs and external threads.

Material:
Polyethylene (PE-LD)
Material from GPN 600 B 915:
Polyethylene (PE-LLD)
Colour:
Natural



PÖPPELMANN

Contact, product search and sample requests: www.poeppelemann.com

KAPSTO®

Tapered Closures

GPN 600



Your KAPSTO® quality benefits:



Multi Functional: Can be used universally as plug or cap. The tapered design is ideal for accommodating tolerances.



Additional information: To close off bore holes and internal threads, or to protect studs and external threads.

Material:

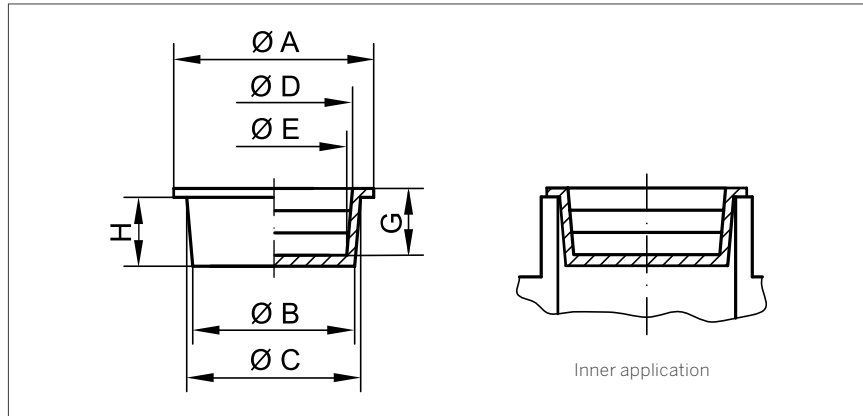
Polyethylene (PE-LD)

Material from GPN 600 B 915:

Polyethylene (PE-LLD)

Colour:

Natural



◀ Continued from page 59

Dimensions							
A	Inner application			D	E	G	Order no.
	B	C	H				
90.0	79.0	82.0	17.0	78.0	75.4	17.2	600 B 790
92.0	81.5	83.6	16.5	80.0	76.9	17.0	600 B 815
89.5	82.0	86.0	23.0	83.9	79.7	23.5	600 B 820
95.0	84.0	87.1	16.5	83.0	79.9	17.0	600 B 840
97.0	86.5	89.0	17.5	86.0	82.9	18.0	600 B 865
100.0	89.0	91.5	17.0	89.0	86.5	17.5	600 B 890
102.0	91.5	94.0	17.0	92.0	88.9	17.5	600 B 915
105.0	94.0	96.0	17.0	92.0	90.0	17.5	600 B 940
107.0	96.5	99.0	17.0	96.0	92.9	17.5	600 B 965
110.0	99.0	102.5	17.0	99.0	95.9	17.5	600 B 990
112.0	101.5	104.0	17.0	102.0	98.9	17.3	600 B 1015
115.0	104.0	106.5	17.0	104.0	100.9	17.5	600 B 1040
117.0	106.5	109.0	17.0	106.0	102.9	17.2	600 B 1065
120.0	109.0	111.0	17.0	108.0	105.0	17.5	600 B 1090
123.0	112.0	114.5	17.0	112.5	109.4	17.0	600 B 1120
125.0	114.0	117.0	16.6	114.5	111.4	17.2	600 B 1140
124.5	114.3	119.2	28.0	117.1	112.1	28.7	600 B 1143
130.0	119.0	123.0	23.0	120.2	116.1	23.0	600 B 1190
134.0	124.0	128.0	23.0	123.0	119.1	23.0	600 B 1240
137.6	127.5	130.6	23.0	127.6	123.6	22.5	600 B 1275
140.0	129.0	133.0	23.0	130.2	126.1	23.5	600 B 1290
143.0	133.0	137.0	23.0	133.0	129.0	22.5	600 B 1330
149.0	139.0	143.0	23.0	139.0	135.0	23.0	600 B 1390
159.5	146.8	152.6	33.0	149.9	144.0	33.5	600 B 1468
159.0	149.0	153.0	23.0	148.0	144.1	23.3	600 B 1490
163.6	153.5	157.5	23.0	153.6	149.6	23.0	600 B 1535
169.0	159.0	162.0	23.0	158.0	154.0	23.0	600 B 1590
170.0	160.0	164.0	23.0	160.0	156.0	23.0	600 B 1600
179.0	169.0	172.0	23.0	168.0	164.0	23.0	600 B 1690
184.0	174.0	177.0	23.0	173.0	169.0	22.5	600 B 1740
189.0	179.0	182.0	23.0	178.0	174.0	23.0	600 B 1790
192.0	181.5	184.5	23.0	180.5	176.5	23.0	600 B 1815
199.5	183.6	190.6	33.0	187.9	182.0	33.8	600 B 1836
209.0	199.0	202.0	22.5	198.0	194.0	22.5	600 B 1990
212.0	202.0	205.0	23.0	202.1	198.1	23.0	600 B 2020
213.0	203.0	205.0	23.0	202.0	199.0	23.0	600 B 2030
216.0	206.0	210.6	23.5	206.0	201.6	23.5	600 B 2060
235.0	218.0	222.0	22.5	217.4	213.5	22.5	600 B 2180
242.0	225.0	229.0	23.5	225.4	221.3	23.0	600 B 2250 *
249.5	231.2	238.2	33.0	235.6	228.6	33.5	600 B 2312
267.0	249.0	252.0	22.5	248.0	244.1	22.5	600 B 2490
265.0	253.0	258.0	18.0	253.0	249.2	18.0	600 B 2530
314.0	293.4	300.2	32.5	296.7	289.8	33.0	600 B 2934
315.0	299.0	304.0	22.5	298.0	294.1	22.5	600 B 2990
326.0	308.0	313.0	21.8	308.0	303.4	21.8	600 B 3080
329.0	311.0	316.0	22.0	311.0	306.4	21.7	600 B 3110
358.0	338.0	343.0	22.0	338.0	333.4	21.8	600 B 3380
399.0	371.9	381.0	32.5	377.7	368.4	32.8	600 B 3719*
415.0	398.0	406.0	30.0	399.0	392.7	29.8	600 B 3980
455.0	435.0	443.0	30.0	437.0	430.7	30.0	600 B 4350
499.0	465.4	476.7	32.0	472.8	461.3	33.0	600 B 4654
506.0	484.0	491.0	30.0	486.0	479.7	30.0	600 B 4840

Size in mm

► Application Guide Data for Internal Use, see page 61

Additional dimensions, heat-resistant types, and bespoke designs available on request, see "Materials and Colours" on page 100.

*These sizes are supplied with bore.



PÖPPELMANN

We will be happy to advise you: +49 4442 982-9100

KAPSTO®

Tapered Closures

GPN 600

Application Guide Data for Internal Use

Metric threads						Pipe thread	Order no.	
Standard thread	Fine thread							
M 10	M10x1					1/8	600 B 81	
M 12		M12x1.5					600 B 98	
	M12x1						600 B 106	
M 14						1/4	600 B 114	
M 16	M15x1						600 B 133	
							600 B 140	
M 18						3/8	600 B 146	
	M17x1		M18x2				600 B 153	
							600 B 160	
		M20x1.5	M20x2				600 B 174	
	M20x1					1/2	600 B 182	
M 22							600 B 187	
M 24		M22x1.5				5/8	600 B 198	
			M24x2				600 B 203	
		M24x1.5					600 B 212	
M 27		M26x1.5	M26x2			3/4	600 B 230	
	M27x1	M27x1.5	M28x2				600 B 243	
M 30	M28x1	M28x1.5		M30x3			600 B 257	
		M30x1.5	M30x2	M32x3		7/8	600 B 272	
	M32x1	M33x1.5	M33x2	M34x3			600 B 300	
	M34x1	M35x1.5	M35x2	M36x3			600 B 320	
M 39	M36x1	M36x1.5	M37x2	M38x3		1 1/8	600 B 336	
	M37x1	M37x1.5	M38x2	M39x3	M40x4		600 B 345	
M 42	M38x1	M38x1.5	M39x2	M40x3			600 B 355	
M 42		M39x1.5	M39x2		M42x4		600 B 360	
	M40x1	M40x1.5	M42x2	M42x3		1 1/4	600 B 379	
M 45		M42x1.5					600 B 385	
	M42x1			M45x3	M45x4		600 B 398	
M 48			M45x2			1 3/8	600 B 413	
				M48x3		1 1/2	600 B 439	
M 52	M48x1	M48x1.5		M50x3			600 B 455	
	M50x1	M50x1.5		M52x3		1 3/4	600 B 479	
	M52x1				M55x4		600 B 498	
				M55x3	M56x4		600 B 505	
M 60	M55x1	M55x1.5	M56x2		M58x4		600 B 525	
					M60x4		600 B 545	
	M58x1	M58x1.5		M60x3		2	600 B 555	
		M60x1.5	M60x2		M62x4		600 B 570	
			M62x2		M64x4		600 B 585	
M 68			M64x2	M65x3			600 B 605	
		M64x1.5	M65x2			2 1/4	600 B 613	
	M64x1				M64x4	M68x4	600 B 625	
				M68x3			600 B 635	
			M68x2				600 B 650	
				M72x3			600 B 679	
			M75x2			2 1/2	600 B 715	
			M76x2				600 B 728	
					M80x4		600 B 740	
			M80x2				600 B 765	
						M85x6	2 3/4	600 B 775
					M85x4		600 B 790	
			M85x2				600 B 815	
						3	600 B 820	
				M90x4	M90x6		600 B 840	
			M90x2		M95x6		600 B 865	
				M95x4		3 1/4	600 B 890	
			M95x2		M100x6		600 B 915	
					M100x4		600 B 940	
			M100x2		M105x6	3 1/2	600 B 965	
				M105x4			600 B 990	
			M105x2		M110x6		600 B 1015	
				M110x4			600 B 1040	
			M110x2		M115x6		600 B 1065	
				M115x4		4	600 B 1090	
			M115x2		M120x6		600 B 1120	
				M120x4			600 B 1140	
			M120x2		M125x6		600 B 1143	
				M125x4			600 B 1190	
				M130x4			600 B 1240	
					M135x6		600 B 1275	
				M140x4		5	600 B 1330	
					M155x6	5 1/2	600 B 1468	
			M155x3				600 B 1490	
			M160x3				600 B 1535	
						6	600 B 1590	
			M165x3		M170x6		600 B 1600	
					M190x6		600 B 1815	
			M190x3		M195x6		600 B 1836	
					M210x6		600 B 2020	



Additional information:

This application table is a guide only. We will be happy to send you free samples for testing. For apertures and bore holes without thread, please use dimensions B and C. Other dimensions and bespoke designs available on request, see "Materials and Colours" on page 100.

◀ Dimensions on pages 59/60



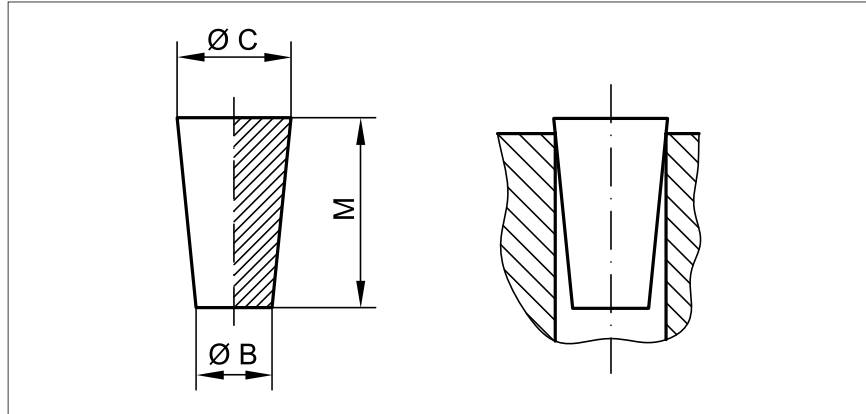
PÖPPELMANN

Contact, product search and sample requests: www.poeppelmann.com

KAPSTO®

Tapered Plugs

GPN 605



Your KAPSTO® quality benefits:



Temperature resistant:
Extremely heat resistant to 250 °C. More details: page 101, "Physical properties".



Robust: Solid design for increased demands.



Multi Functional:
The tapered design is ideal for accommodating large tolerances.



Additional information:
Suitable for closing off apertures, bore holes and internal threads.

Material:
Silicone (SI)
Colour:
Natural

Dimensions			Order no.
B	C	M	
0.8	3.2	16.0	605 / 0832
1.6	3.2	16.0	605 / 1632
1.6	4.8	16.0	605 / 1648
3.2	6.3	19.0	605 / 3263
4.8	8.7	16.0	605 / 4887
6.3	9.5	19.0	605 / 6395
6.3	9.5	12.7	605 / 6312
9.0	12.0	20.7	605 / 9012
10.0	15.0	25.0	605 / 1015
13.0	17.0	25.0	605 / 1317
14.0	19.0	25.0	605 / 1419
16.0	20.0	25.0	605 / 1620
18.0	24.0	25.0	605 / 1824
20.0	26.0	25.0	605 / 2026
23.0	27.0	25.0	605 / 2327
24.0	28.0	25.0	605 / 2428
26.0	32.0	25.0	605 / 2632
27.0	34.0	25.0	605 / 2734
30.0	37.0	25.0	605 / 3037
31.0	39.0	25.0	605 / 3139
33.0	41.0	25.0	605 / 3341
36.0	43.0	25.0	605 / 3643
37.0	45.0	25.0	605 / 3745
38.0	46.0	25.0	605 / 3846
42.0	50.0	25.0	605 / 4250
45.0	53.0	25.0	605 / 4553
48.0	56.0	25.0	605 / 4856
62.0	75.0	35.0	605 / 6275

Size in mm

Additional dimensions, heat-resistant types, and bespoke designs available on request, see "Materials and Colours" on page 100.



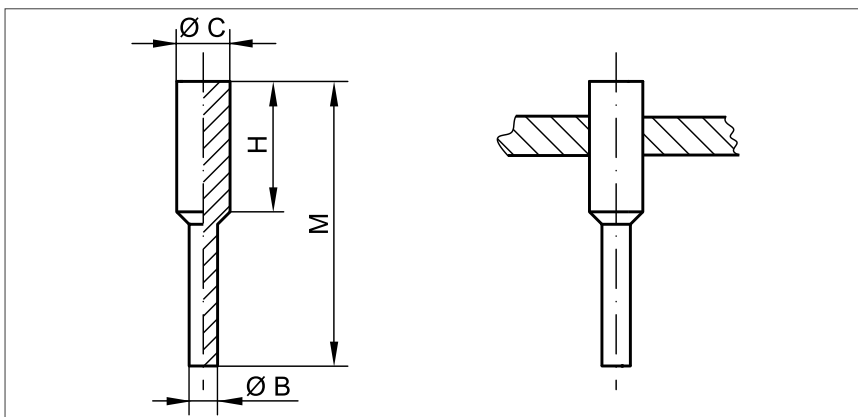
PÖPPELMANN

We will be happy to advise you: +49 4442 982-9100

KAPSTO®

Pull Plugs

GPN 606



Dimensions				Order no.
B	C	H	M	
2.4	3.3	15.9	32.3	606 / 0033
2.5	4.1	15.9	31.5	606 / 0041
3.3	5.5	25.4	51.4	606 / 0055
3.2	7.0	23.8	47.6	606 / 0070
3.9	8.5	25.4	53.2	606 / 0085
4.0	9.5	25.4	51.2	606 / 0095
4.9	10.4	25.6	53.8	606 / 0104
6.4	12.6	25.4	53.8	606 / 0126
9.5	16.3	25.4	54.5	606 / 0163
9.5	17.8	31.8	56.4	606 / 0178
9.5	19.6	25.4	56.3	606 / 0196

Size in mm

Additional dimensions, heat-resistant types, and bespoke designs available on request, see "Materials and Colours" on page 100.

Application Guide

Standard thread	Metric threads		Pipe thread	Order no.
	Fine thread			
M 4				606 / 0033
M 5				606 / 0041
M 6				606 / 0055
M 8	M 8 x 1		G 1/16	606 / 0070
M 10	M 9 x 1			606 / 0085
	M 10 x 1		G 1/8	606 / 0095
M 11				606 / 0095
M 12	M 11 x 1	M 12 x 1.5		606 / 0104
M 14	M 13 x 1	M 14 x 1.5	G 1/4	606 / 0126
M 18	M 16 x 1	M 17 x 1	M 18 x 2	606 / 0163
M 20	M 18 x 1	M 19 x 1.5		606 / 0178
M 22	M 20 x 1	M 20 x 1.5	G 1/2	606 / 0196

This application table is a guide only. We will be happy to send you free samples for testing. For apertures and bore holes without thread, please use dimensions B and C. Other dimensions and bespoke designs available on request, see "Materials and Colours" on page 100.



Your KAPSTO® quality benefits:



Time-saving:

With pull tab Ø B for easy fitting and removal.



Temperature resistant:

Extremely heat resistant to 250 °C. More details: page 101, "Physical properties".



Robust: Solid design for increased demands.



Additional information:

Suitable for through holes with or without thread. Ø C closes off, Ø B is used as pull tab.

Material:

Silicone (SI)

Colour:

Natural



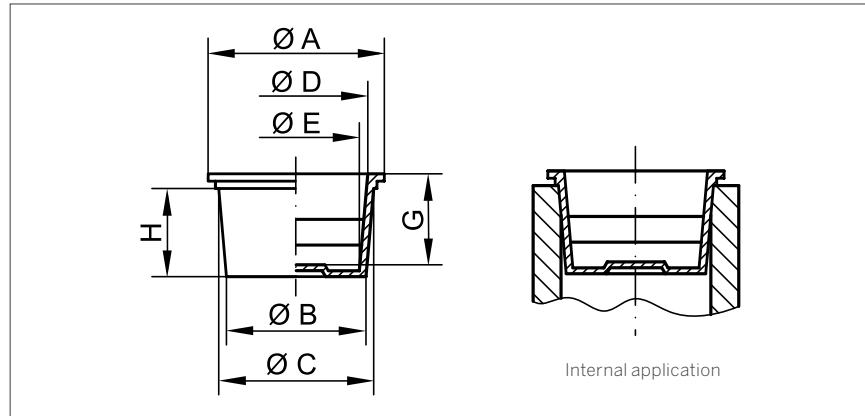
PÖPPELMANN

Contact, product search and sample requests: www.poeppelmann.com

KAPSTO®

Universal Protection

GPN 610



Your KAPSTO® quality benefits:



Multi Functional: Can be used universally as plug or cap. The tapered design is ideal for accommodating tolerances.



Additional information: To close off bore holes and internal threads, or to protect studs and external threads.

Material:
Polyethylene (PE-LD)
Colour:
Yellow

Dimensions							
A	Internal application			D	E	G	Order no.
	B	C	H				
10.0	4.4	6.2	10.0	4.6	2.8	10.8	610 U 1
11.0	6.0	7.8	10.0	6.2	4.4	10.8	610 U 2
13.0	7.6	9.4	10.0	7.8	6.0	10.0	610 U 3
14.0	8.4	10.2	10.0	8.6	6.8	10.0	610 U 4
14.0	9.2	11.0	10.0	9.3	7.5	10.0	610 U 5
15.0	9.9	11.7	10.0	10.1	8.3	10.0	610 U 6
16.0	10.6	12.4	10.0	10.8	9.0	10.0	610 U 7
17.0	11.3	13.1	10.0	11.2	9.5	10.0	610 U 8
18.0	12.0	14.1	12.0	12.5	10.4	12.0	610 U 9
18.0	12.5	14.6	12.0	13.3	11.2	12.0	610 U 10
19.0	13.5	15.6	12.0	14.0	11.9	12.0	610 U 11
19.0	14.0	16.1	12.0	14.5	12.4	12.0	610 U 12
21.0	15.0	17.0	13.0	15.5	13.2	13.0	610 U 13
22.0	16.3	18.6	13.0	17.0	14.7	13.0	610 U 14
22.0	17.3	19.4	13.0	17.6	15.5	13.0	610 U 15
24.0	17.5	20.1	15.0	18.5	15.9	15.0	610 U 16
25.0	18.4	21.0	15.0	19.4	16.8	15.0	610 U 17
25.0	19.0	21.6	15.0	20.0	17.4	15.0	610 U 18
27.0	20.4	23.2	16.0	21.6	18.8	16.0	610 U 19
28.0	20.7	23.5	16.0	21.9	19.1	16.0	610 U 20
29.0	22.0	24.8	16.0	23.0	20.4	16.0	610 U 21
30.0	23.2	26.3	18.0	24.4	21.2	18.0	610 U 22
32.0	24.5	27.8	19.0	26.2	22.9	19.0	610 U 23
33.0	25.2	29.2	19.0	27.7	23.7	19.0	610 U 24
33.0	26.4	30.4	19.0	28.9	24.9	19.0	610 U 241
35.0	27.8	31.1	19.0	29.5	26.2	19.0	610 U 25
37.0	29.8	32.6	16.0	31.1	28.3	16.0	610 U 26
38.0	31.4	35.1	21.0	33.4	29.7	21.0	610 U 27
41.0	33.3	37.1	22.0	35.5	31.7	22.0	610 U 28
45.0	36.7	40.5	22.0	39.0	35.2	22.0	610 U 29
45.0	38.4	40.7	13.0	39.2	36.9	13.0	610 U 291
48.0	38.2	43.0	23.0	41.4	36.6	23.0	610 U 30
48.0	39.6	42.9	19.0	41.3	38.0	19.0	610 U 31
49.0	41.4	44.7	19.0	43.0	39.7	19.0	610 U 32
51.0	44.4	47.7	19.0	46.1	42.8	19.0	610 U 33
54.0	45.2	49.6	25.0	48.0	43.6	25.0	610 U 34
55.0	46.6	51.0	25.0	48.7	45.2	25.0	610 U 35
62.0	52.5	56.9	25.0	55.2	50.8	25.0	610 U 36
65.0	54.0	59.3	25.0	57.8	52.5	25.0	610 U 37
65.0	54.2	58.6	25.0	57.0	52.6	25.0	610 U 38
67.0	58.4	62.8	25.0	61.1	56.7	25.0	610 U 39
71.0	60.7	67.1	29.0	64.3	57.5	28.5	610 U 40
75.0	67.1	70.4	19.0	68.7	65.4	19.0	610 U 41
83.0	72.4	75.7	19.0	74.1	70.8	19.0	610 U 42
92.0	84.5	87.8	19.0	85.7	82.4	19.0	610 U 43

Size in mm

► [Application Guide Data for Internal Use, see page 65](#)

Additional dimensions, heat-resistant types, and bespoke designs available on request, see "Materials and Colours" on page 100.



PÖPPELMANN

We will be happy to advise you: +49 4442 982-9100

KAPSTO®

Universal Protection GPN 610

Application Guide Data for Internal Use

Standard thread	Metric threads			Pipe thread	Order no.	
	Fine thread					
M 6	M 6 x 0.5	M 6 x 0.75			610 U 1	
M 8	M 8 x 1				610 U 2	
M 10	M 9.5 x 1	M 10 x 1.25		1/8	610 U 3	
M 11	M 10.5 x 1				610 U 4	
M 12	M 11 x 1	M 12 x 1.5			610 U 5	
	M 12 x 1	M 12 x 1.25			610 U 6	
M 14	M 12.5 x 1			1/4	610 U 7	
	M 13.5 x 1	M 14 x 1.5			610 U 8	
	M 14 x 1	M 15 x 1.5			610 U 9	
M 16	M 14.5 x 1	M 15 x 1			610 U 10	
	M 16 x 1	M 16 x 1.5	M 17 x 2		610 U 11	
M 18		M 17 x 1.5		3/8	610 U 12	
	M 17 x 1	M 18 x 1.5			610 U 13	
M 20		M 19 x 1.5	M 20 x 2		610 U 14	
		M 20 x 1.5		1/2	610 U 15	
M 22	M 20 x 1		M 21 x 2	1/2	610 U 16	
	M 21 x 1		M 22 x 2		610 U 17	
M 24		M 22 x 1.5		5/8	610 U 18	
	M 23 x 1		M 24 x 2		610 U 19	
		M 24 x 1.5			610 U 20	
M 27		M 25 x 1.5	M 26 x 2		610 U 21	
	M 26 x 1		M 27 x 2	M 28 x 3	3/4	610 U 22
M 30	M 27 x 1	M 28 x 1.5			610 U 23	
	M 29 x 1	M 29 x 1.5	M 30 x 2		7/8	610 U 24
M 33	M 30 x 1	M 30 x 1.5		M 32 x 3		610 U 241
M 33	M 31 x 1	M 31 x 1.5	M 32 x 2		1	610 U 25
M 36	M 32 x 1	M 33 x 1.5				610 U 26
	M 34 x 1	M 35 x 1.5	M 36 x 2			610 U 27
M 39	M 36 x 1	M 37 x 1.5		M 39 x 3	1 1/8	610 U 28
	M 40 x 1	M 40 x 1.5		M 42 x 3	1 1/4	610 U 29
			M 42 x 2			610 U 291
M 45	M 42 x 1	M 42 x 1.5		M 45 x 4		610 U 30
	M 42 x 1			M 45 x 3	1 3/8	610 U 31
	M 44 x 1	M 45 x 1.5		M 48 x 4		610 U 32
M 52		M 48 x 1.5	M 48 x 2	M 50 x 3		610 U 33
		M 50 x 1.5	M 50 x 2	M 52 x 4		610 U 34
M 56	M 50 x 1	M 50 x 1.5		M 52 x 3		610 U 35
M 60	M 56 x 1	M 56 x 1.5		M 58 x 3		610 U 36
M 64	M 58 x 1	M 58 x 1.5		M 60 x 3	2	610 U 37
M 64	M 58 x 1	M 58 x 1.5		M 60 x 3	2	610 U 38
M 68	M 62 x 1	M 62 x 1.5		M 64 x 3		610 U 39
	M 65 x 1	M 65 x 1.5		M 68 x 4		610 U 40
	M 70 x 1	M 70 x 1.5		M 72 x 3		610 U 41
	M 75 x 1	M 76 x 1.5				610 U 42
				M 90 x 3		610 U 43

◀ Dimensions on page 64



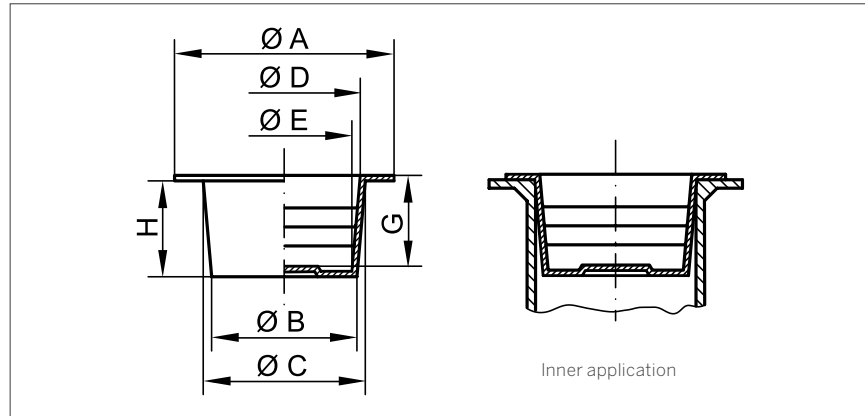
Additional information:

This application table is a guide only. We will be happy to send you free samples for testing. For apertures and bore holes without thread, please use dimensions B and C. Other dimensions and bespoke designs available on request, see "Materials and Colours" on page 100.



Universal Protection

GPN 620



Your KAPSTO® quality benefits:



Multi Functional: Can be used as a plug or cap for a wide range of applications. Tapered design for accommodating tolerances.



Additional information: Same design as GPN 610 but with larger cover flange.

Material:

Polyethylene (PE-LD)

Colour:

Yellow

Dimensions							
A	Inner application			D	E	G	Order no.
	B	C	H				
22.0	4.4	6.3	11.0	4.6	2.7	11.2	620 U 1 B
23.0	6.0	7.9	11.0	6.1	4.3	11.2	620 U 2 B
25.0	7.6	9.5	11.0	7.8	5.9	11.0	620 U 3 B
26.0	8.4	10.3	11.0	8.6	6.8	10.0	620 U 4 B
26.0	9.2	11.0	11.0	9.3	7.5	10.0	620 U 5 B
27.0	9.9	11.7	11.0	10.0	8.3	10.0	620 U 6 B
28.0	10.6	12.4	11.0	10.6	8.8	10.0	620 U 7 B
29.0	11.3	13.2	11.0	11.6	9.8	10.0	620 U 8 B
30.0	12.0	14.2	13.0	12.5	10.4	12.0	620 U 9 B
30.0	12.5	14.6	13.0	13.1	11.2	12.0	620 U 10 B
31.0	13.8	15.9	13.0	14.1	12.0	12.0	620 U 11 B
31.0	14.0	16.4	13.0	14.5	12.2	12.0	620 U 12 B
33.0	15.0	17.2	14.0	15.5	13.4	13.0	620 U 13 B
34.0	16.5	18.8	14.0	17.1	14.8	13.0	620 U 14 B
34.0	17.4	19.6	14.0	17.8	15.6	13.0	620 U 15 B
36.0	17.7	20.3	16.0	18.6	16.0	15.0	620 U 16 B
37.0	18.6	21.2	16.0	19.5	16.9	15.0	620 U 17 B
37.0	19.3	21.9	16.0	20.1	17.6	15.0	620 U 18 B
39.0	20.8	23.5	17.0	21.8	18.9	16.0	620 U 19 B
40.0	21.2	24.0	17.0	22.1	19.3	16.0	620 U 20 B
41.0	22.3	25.2	17.0	23.4	20.4	16.0	620 U 21 B
42.0	23.7	27.0	19.0	24.1	20.9	18.0	620 U 22 B
44.0	25.0	28.3	20.0	26.4	23.0	19.0	620 U 23 B
45.0	26.4	29.5	20.0	27.7	24.7	19.0	620 U 24 B
47.0	28.3	31.4	20.0	29.7	26.4	19.0	620 U 25 B
49.0	29.8	32.9	20.0	31.2	28.1	19.0	620 U 26 B
50.0	32.0	35.5	22.0	33.6	29.8	21.0	620 U 27 B
52.0	33.8	37.8	23.0	36.0	31.9	22.0	620 U 28 B
54.0	36.4	40.2	22.0	38.4	34.5	21.0	620 U 29 B
60.0	39.2	43.1	23.0	41.3	37.2	22.0	620 U 31 B
70.0	41.3	44.8	20.0	43.0	39.5	19.0	620 U 32 B
64.0	44.4	47.9	20.0	46.1	42.6	18.0	620 U 33 B
66.0	50.5	53.1	14.0	51.1	48.8	13.7	620 U 351 B
74.3	52.7	56.6	25.0	54.6	51.0	24.7	620 U 36 B
85.0	62.5	67.5	20.5	66.0	60.4	20.5	620 U 401 B

Size in mm

Additional dimensions, heat-resistant types, and bespoke designs available on request, see "Materials and Colours" on page 100.



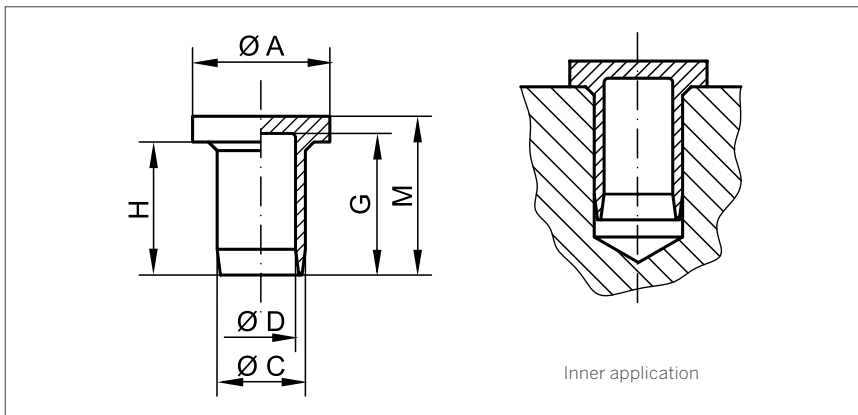
PÖPPELMANN

We will be happy to advise you: +49 4442 982-9100

KAPSTO®

Closures

GPN 900



Dimensions						
A	Inner application		D	G	M	Order no.
	C	H				
13.0	7.2	9.0	5.2	10.5	12.0	900 A 7
12.0	8.3	16.0	6.0	17.0	18.5	900 A 8.5
12.0	8.9	9.5	5.8	10.5	12.0	900 A 8.9
11.0	9.0	9.5	7.4	10.5	12.0	900 A 9
16.0	10.3	15.5	8.0	16.5	18.5	900 A 10.5
16.0	10.8	15.8	8.0	17.0	18.8	900 A 11
18.0	12.0	10.0	9.8	11.2	13.0	900 A 12
20.0	12.4	16.2	10.0	17.6	19.2	900 A 12.5
15.0	12.8	9.5	11.3	10.5	12.0	900 A 12.5 x 9.5
18.0	13.4	10.0	11.5	10.0	12.0	900 A 13.5
17.0	14.7	9.5	11.7	10.5	12.0	900 A 14
20.0	14.5	20.8	11.5	21.1	22.6	900 A 14.5
20.0	15.2	12.7	12.8	13.7	14.7	900 A 15
22.0	16.6	21.0	13.5	22.0	23.0	900 A 16.5
24.0	16.6	9.0	13.5	10.5	12.0	900 A 16.5 x 9
20.0	17.0	9.5	14.5	10.5	12.0	900 A 16.9
20.0	17.0	24.0	14.5	25.5	27.0	900 A 17
21.0	18.4	25.0	15.5	26.0	27.0	900 A 18.5 x 21
28.0	18.4	25.0	15.5	26.0	27.0	900 A 18.5
25.0	18.9	10.5	16.5	11.0	12.5	900 A 19
21.5	19.3	9.5	17.4	10.5	12.0	900 A 19.5
28.0	20.2	21.0	17.8	21.5	23.0	900 A 20
22.0	20.7	9.5	17.7	10.5	12.0	900 A 21
25.0	22.5	12.0	19.7	12.5	14.0	900 A 22.5
28.0	23.9	29.0	20.3	29.5	31.0	900 A 24
32.0	24.5	10.0	21.2	10.5	12.0	900 A 24.5
26.0	24.6	25.0	21.5	26.0	28.0	900 A 24.5 x 25
29.0	24.7	31.5	23.1	32.0	33.5	900 A 24.7
28.0	25.5	17.0	22.3	18.5	20.0	900 A 25.5
31.0	27.0	20.5	24.8	21.8	23.5	900 A 27
32.0	28.4	9.5	26.0	10.0	11.5	900 A 28.5
33.0	30.0	19.0	27.3	20.5	22.0	900 A 30
34.0	31.0	9.5	28.0	10.5	12.0	900 A 31
36.0	32.5	21.0	29.6	22.5	24.0	900 A 32
37.0	32.8	19.0	29.4	20.0	21.5	900 A 33
47.0	38.8	21.0	35.4	22.0	23.5	900 A 39
43.0	40.5	9.5	37.5	11.0	12.5	900 A 41
50.0	44.8	19.0	41.4	20.0	21.5	900 A 45
53.5	51.0	24.0	48.3	25.5	27.0	900 A 51
54.5	52.0	9.5	49.0	10.5	12.0	900 A 52
61.0	58.0	12.5	55.0	12.5	14.0	900 A 58
69.0	64.0	29.0	61.5	30.5	32.0	900 A 64
72.0	69.5	29.0	66.5	29.5	31.0	900 A 69
80.0	76.0	20.0	70.0	20.5	22.0	900 A 76

Size in mm

Additional dimensions, heat-resistant types, and bespoke designs available on request, see "Materials and Colours" on page 100.



Your KAPSTO® quality benefits:



Multi Functional: Cylindrical closure – can be used as plug or cap.

Material:
Polyethylene (PE-LD)
Colour:
Natural



PÖPPELMANN

Contact, product search and sample requests: www.poeppelmann.com

KAPSTO®

Covers

GPN 910

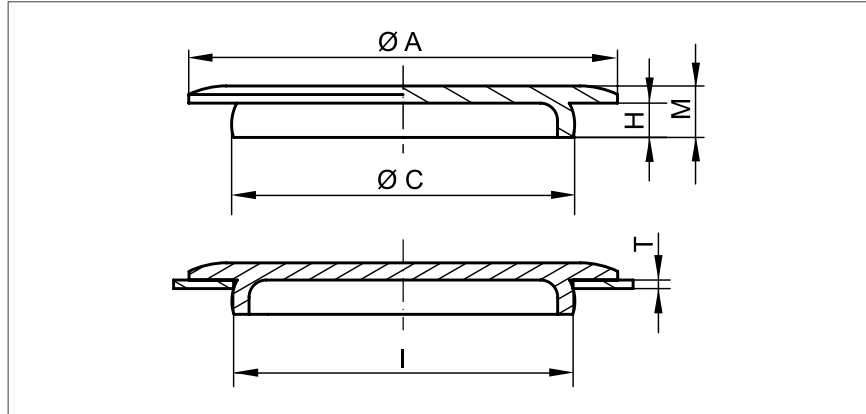


Your KAPSTO® quality benefits:



Additional information:
Flat design, ideal for closing apertures in cover panels.

Material:
Polyethylene (PE-LLD)
Colour:
Black



Suitable for casings		Dimensions				Order no.
Aperture I	Wall thickness T	A	C	H	M	
12.0	1.0	16.0	12.3	3.0	5.0	910 / 3280
15.0	1.0	18.0	15.4	4.0	5.0	910 / 2179
17.3	1.0	20.0	17.6	4.0	6.0	910 / 3759
20.0	1.0	35.0	20.5	5.0	7.5	910 / 2967
20.5	1.0	25.0	21.1	2.5	4.0	910 / 0766
25.0	1.5	28.0	26.0	4.0	6.2	910 / 4015
25.5	1.0	38.0	26.0	5.3	7.4	910 / 3040
26.3	2.2	38.0	27.0	7.5	9.5	910 / 3043
26.5	1.5	38.0	27.0	4.3	6.3	910 / 0763
33.0	1.5	36.0	33.5	4.0	6.0	910 / 3790
36.0	2.0	53.0	36.5	5.0	7.0	910 / 5539
39.5	0.9	50.0	40.0	4.0	6.0	910 / 3205
39.7	0.8	50.0	40.4	2.4	4.2	910 / 4010
50.0	1.0	55.0	50.6	4.0	6.0	910 / 3097
53.0	1.5	62.0	53.8	4.0	6.0	910 / 0715
60.8	2.2	66.0	61.5	7.8	9.8	910 / 3044
61.0	1.5	68.0	62.0	4.0	5.8	910 / 0714
64.0	1.5	85.0	64.6	4.1	6.1	910 / 3791
71.0	1.5	76.0	71.5	5.0	7.5	910 / 2713
72.0	3.0	90.0	72.8	7.5	9.5	910 / 3042
74.5	1.5	83.0	75.0	8.0	10.0	910 / 3223
81.5	1.5	90.0	82.0	8.0	10.0	910 / 3222
92.0	3.0	103.0	93.0	7.7	9.7	910 / 3277
100.0	2.0	109.0	101.0	5.0	7.0	910 / 4395

Size in mm

Additional dimensions, heat-resistant types, and bespoke designs available on request, see "Materials and Colours" on page 100.



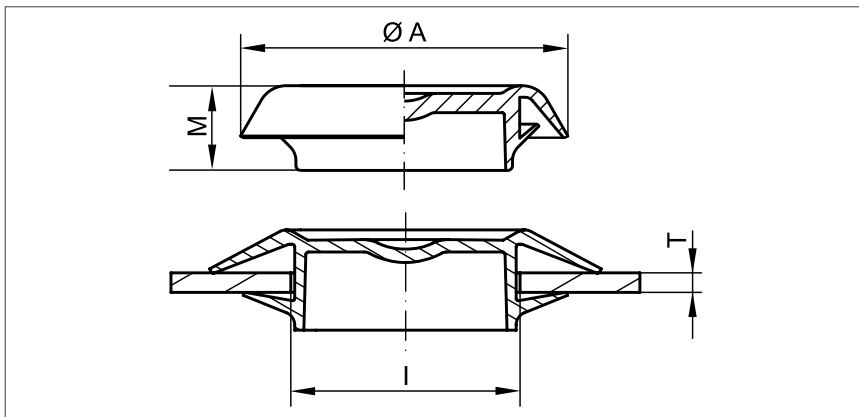
PÖPPELMANN

We will be happy to advise you: +49 4442 982-9100

KAPSTO®

Sealing Plugs

GPN 915



Suitable for casings		Dimensions		Order no.
Aperture l	Wall thickness T	A	M	
12.0 - 13.0	0.5 - 3.0	20.8	9.0	915 / 12
15.0 - 17.0	0.5 - 3.0	23.8	8.9	915 / 15
19.5 - 21.5	0.5 - 3.0	27.9	8.8	915 / 20
25.0 - 27.0	0.5 - 3.0	34.0	8.6	915 / 25
30.0 - 31.0	0.5 - 3.0	39.0	8.9	915 / 30
34.5 - 36.5	0.5 - 3.0	48.0	11.0	915 / 35
50.0 - 52.0	0.5 - 3.0	59.0	8.8	915 / 50



Your KAPSTO® quality benefits:


Temperature resistant:

Heat resistant to 180 °C.
More details: page 101,
"Physical properties".



Leak Proof: Provides limited
sealing action against an
ingress or outflow of fluids.



Multi Functional: Suitable for
various wall thicknesses and
diameters.



Additional information:
Ideal for closing of holes in
cover panels.

Material:

Thermoplastic
polyester elastomer (PHT)

Colour:

Black



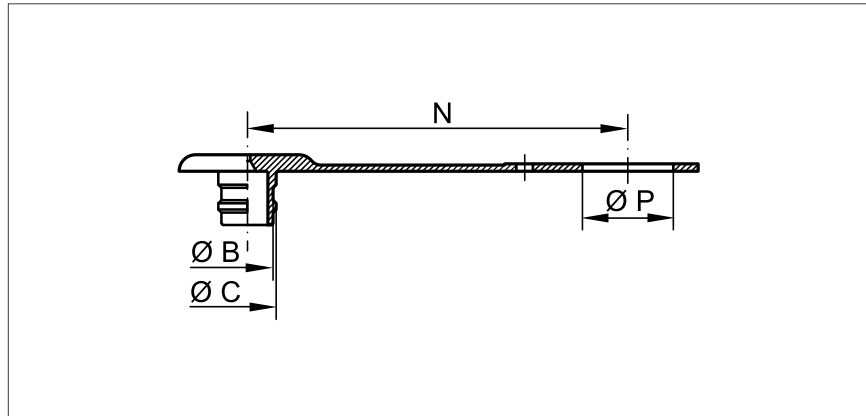
PÖPPELMANN

Contact, product search and sample requests: www.poeppele.com

KAPSTO®

Protective Dust Plugs

GPN 920 Type A



Suitable for nominal size	Dimensions				Order no.
	B	C	N	P	
1/4	11.0	12.0	125.0	22.0	920 / 9998
3/8	16.0	18.0	125.0	22.0	920 / 9996
1/2	20.0	23.6	135.0	29.0	920 / 4982
1/2	20.0	23.6	135.0	27.0	920 / 5370

Size in mm

Additional dimensions, heat-resistant types, and bespoke designs available on request, see "Materials and Colours" on page 100.

Your KAPSTO® quality benefits:



Standard protection:

Protects open plug-in couplings from damage and contamination.



Leak Proof: Provides limited sealing action against an ingress or outflow of fluids.



Additional information:

Self-retaining design due to integral strap.

Material:

Polyethylene (PE-LD)

Colour:

Red



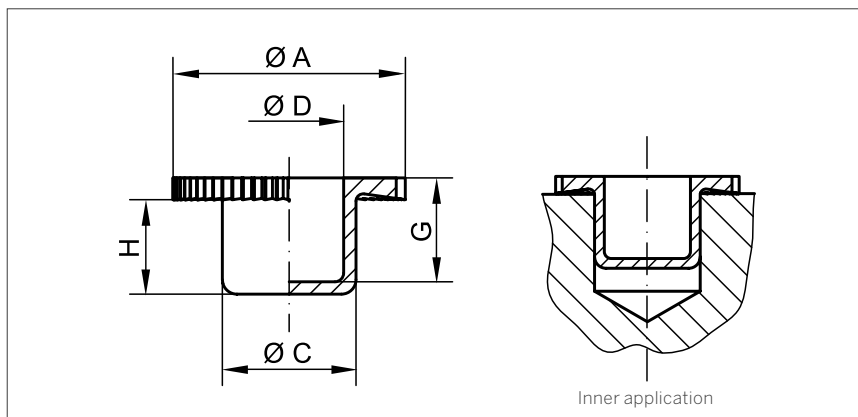
PÖPPELMANN

We will be happy to advise you: +49 4442 982-9100

KAPSTO®

Protective Plugs

GPN 950



Dimensions					
A	Inner application		D	G	Order no.
	C	H			
10.0	5.4	6.0	3.9	7.3	950 / 0054
10.5	6.7	7.0	5.2	7.8	950 / 0067
14.0	7.2	6.5	5.7	7.2	950 / 0072
16.0	9.6	6.5	7.7	7.2	950 / 0092
20.0	10.5	5.0	8.4	6.2	950 / 0105
18.0	10.6	8.5	9.0	9.2	950 / 0106
20.0	12.6	8.0	11.0	9.2	950 / 0126
22.0	13.1	8.0	11.5	9.2	950 / 0131
22.0	14.7	10.0	13.1	11.2	950 / 0147
20.0	15.7	8.0	13.5	8.9	950 / 0157
24.0	16.8	8.5	15.5	9.2	950 / 0168
24.0	18.0	7.2	16.0	8.0	950 / 0180
28.0	18.8	10.0	17.5	11.2	950 / 0188
28.0	19.3	10.0	17.7	11.2	950 / 0193
30.0	20.8	10.0	19.5	11.2	950 / 0208
31.8	22.9	10.0	21.7	11.4	950 / 0229
33.5	25.1	10.0	23.6	11.3	950 / 0250

Size in mm

Additional dimensions, heat-resistant types, and bespoke designs available on request, see "Materials and Colours" on page 100.



Your KAPSTO® quality benefits:



Multi Functional: Can be used as cap or plug.



Additional information: With knurled collar. Suitable for bore holes, internal and external threads, or pipe ends.

Material:
Polyethylene (PE-LD)
Colour:
Natural

Grip Plugs



Practical. Like our tailored solutions.

You have some special requirements? No problem: We also develop and manufacture **individual bespoke solutions for your application**. For details, see page 102.

Discover what's behind it! Our unique **Product and service benefits:**

- ⊕ Standard product range with more than 3,000 versions – available from stock.
- ⊕ No minimum order quantities, no standard packaging sizes.
- ⊕ Free samples.
- ⊕ Development and production of bespoke solutions on request.
- ⊕ Application advice, catalogue requests and orders: **+49 4442 982-9100**.

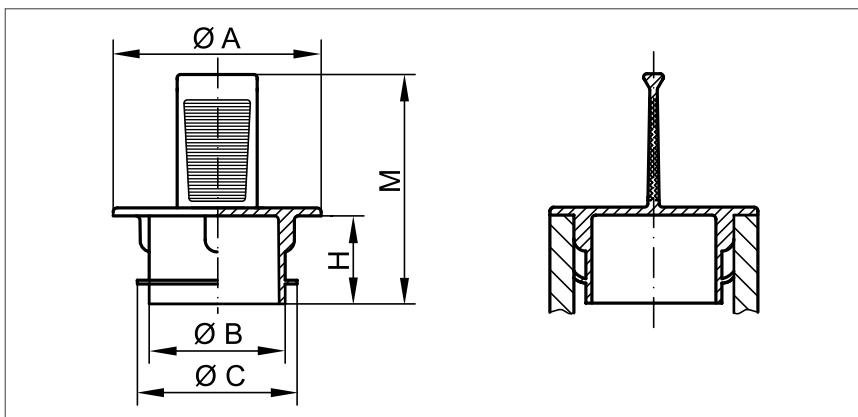


PÖPPELMANN

We will be happy to advise you: **+49 4442 982-9100**

KAPSTO®

Grip Plugs GPN 305



Dimensions					Order no.
A	B	C	H	M	
11.0	3.0	5.3	11.0	24.0	305 GV 5
10.0	5.0	7.1	13.0	27.0	305 GV 7
18.0	8.5	10.4	11.0	24.0	305 GV 10
19.0	9.5	11.4	11.0	24.0	305 GV 11
18.0	10.0	12.5	10.0	31.0	305 GV 12
15.0	11.0	13.5	10.0	26.0	305 GV 13
20.0	11.5	14.0	7.5	20.5	305 GV 14
21.5	14.0	15.4	11.0	24.0	305 GV 15
23.5	15.8	18.3	7.5	20.5	305 GV 18
28.5	17.0	19.4	11.0	24.0	305 GV 19

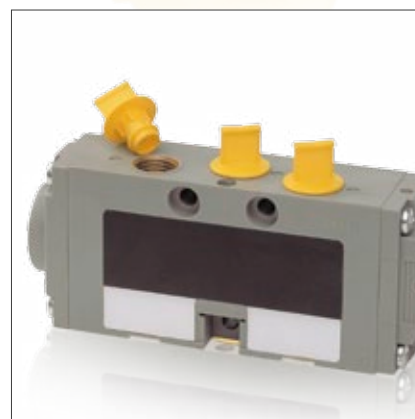
Size in mm

Additional dimensions, heat-resistant types, and bespoke designs available on request, see "Materials and Colours" on page 100.

Application Guide

Metric threads		Order no.
Standard thread	Fine thread	
M 6	M 6 x 0.75	305 GV 5
M 8		305 GV 7
M 12		305 GV 10
M 14		305 GV 11
		305 GV 12
		305 GV 14
	M 16 x 1	305 GV 15
		305 GV 18
	M 20 x 1	305 GV 19

This application table is a guide only. We will be happy to send you free samples for testing. For apertures and bore holes without thread, please use dimensions B and C. Other dimensions and bespoke designs available on request, see "Materials and Colours" on page 100.



Grip Plugs

Your KAPSTO® quality benefits:



Time-saving: Practical tab for easy removal.



Additional information: Protection for hoses, bore holes, and internal threads. With circumferential ribs and centring segments for firm fit.

Material:

Ethylene vinyl acetate (EVA), free from plasticisers

Colour:

Yellow



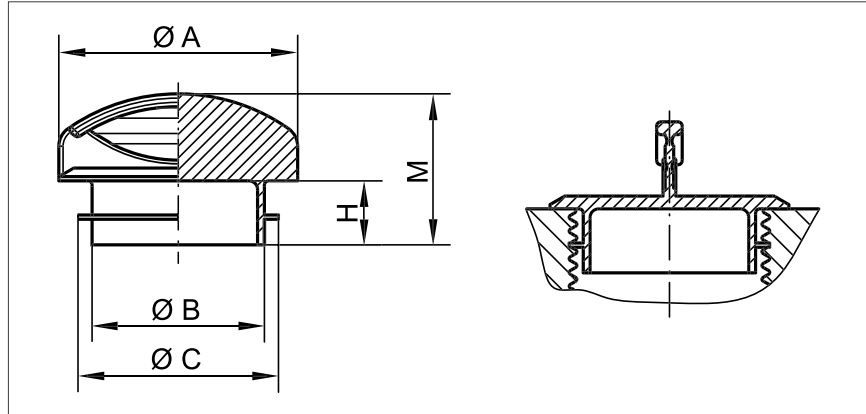
PÖPPELMANN

Contact, product search and sample requests: www.poeppelmann.com

KAPSTO®

Grip Plugs

GPN 310



Dimensions					Order no.
A	B	C	H	M	
14.0	4.0	7.0	5.5	15.0	310 G 8
16.0	5.0	10.5	5.5	15.0	310 G 11
15.6	8.0	13.0	5.5	14.7	310 G 13
19.6	11.4	16.5	5.5	15.2	310 G 16
22.8	15.6	21.3	7.5	17.1	310 G 21
25.7	17.3	22.3	7.5	18.5	310 G 22
28.0	20.2	23.5	7.5	17.7	310 G 23
30.0	20.6	25.5	7.5	19.7	310 G 25
35.0	22.5	27.5	7.5	19.0	310 G 28
38.0	24.5	29.7	7.5	19.0	310 G 30

Size in mm

Additional dimensions, heat-resistant types, and bespoke designs available on request, see "Materials and Colours" on page 100.

Your KAPSTO® quality benefits:



Time-saving: Practical tab for easy handling.



Multi Functional: Flexible ribs for accommodating large tolerances.



Additional information: Protection for bore holes and internal threads.

Material:

Polyethylene (PE-LD)

Colour:

Red

Application Guide

Metric threads				Pipe thread	Order no.
Standard thread	Fine thread				
M 7					310 G 8
M 11	M 10 x 1				310 G 11
		M 12 x 1.5			310 G 13
	M 13 x 1	M 13 x 1.5		1/4	310 G 13
M 14		M 14 x 1.5			310 G 13
	M 16 x 1				310 G 16
		M 17 x 1.5		3/8	310 G 16
M 18					310 G 16
	M 20 x 1	M 20 x 1.5			310 G 21
	M 21 x 1	M 21 x 1.5		1/2	310 G 21
M 22			M 22 x 2		310 G 21
M 24	M 22 x 1	M 22 x 1.5		5/8	310 G 22
	M 23 x 1	M 24 x 1.5	M 24 x 2		310 G 23
	M 25 x 1	M 25 x 1.5			310 G 25
		M 26 x 1.5	M 26 x 2	3/4	310 G 25
M 27					310 G 25
M 30	M 27 x 1	M 28 x 1.5	M 28 x 2		310 G 28
	M 29 x 1	M 30 x 1.5	M 30 x 2	7/8	310 G 30

This application table is a guide only. We will be happy to send you free samples for testing. For apertures and bore holes without thread, please use dimensions B and C. Other dimensions and bespoke designs available on request, see "Materials and Colours" on page 100.



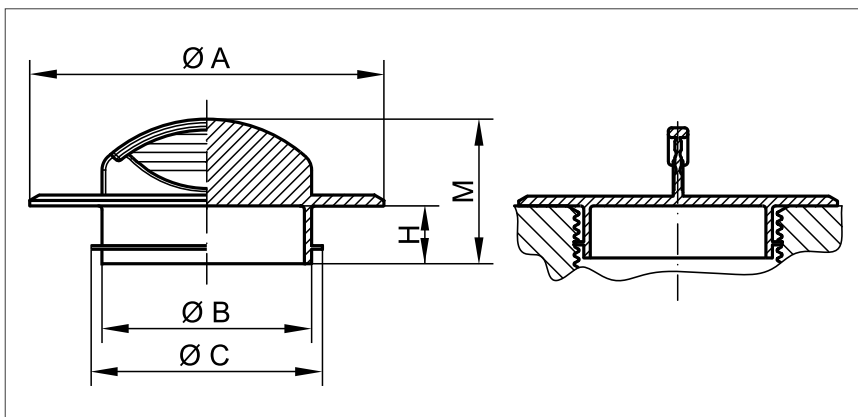
PÖPPELMANN

We will be happy to advise you: +49 4442 982-9100

KAPSTO®

Grip Plugs

GPN 315



Dimensions					Order no.
A	B	C	H	M	
25.0	5.0	8.0	8.0	20.0	315 GS 8
27.0	7.0	10.0	8.0	20.0	315 GS 10
29.0	9.0	12.0	8.0	20.0	315 GS 12
31.0	11.0	14.0	8.0	20.0	315 GS 14
33.0	12.0	15.0	8.0	20.0	315 GS 15
33.0	13.0	16.0	8.0	20.0	315 GS 16
35.0	15.0	18.0	8.0	20.0	315 GS 18
39.0	19.0	22.0	8.0	20.0	315 GS 22
43.0	23.0	26.0	8.0	20.0	315 GS 26
47.0	27.0	30.0	8.0	20.0	315 GS 30
49.0	29.0	32.0	8.0	20.0	315 GS 32
51.0	31.0	34.0	8.0	20.0	315 GS 34
58.0	38.0	41.0	8.0	22.5	315 GS 41
64.0	44.0	47.0	8.0	22.5	315 GS 47
75.0	55.0	58.0	8.0	22.5	315 GS 58
99.0	79.0	82.0	8.0	22.5	315 GS 82
103.0	83.0	86.0	8.0	22.5	315 GS 86

Size in mm

Additional dimensions, heat-resistant types, and bespoke designs available on request, see "Materials and Colours" on page 100.

Application Guide

Standard thread	Metric threads		Pipe thread	Order no.	
	Fine thread				
M 8	M 8 x 1		1/16	315 GS 8	
M 10	M 10 x 1		1/8	315 GS 10	
	M 12 x 1	M 12 x 1.25		315 GS 12	
M 16	M 14 x 1	M 14 x 1.5		315 GS 14	
	M 15 x 1	M 15 x 1.5		315 GS 15	
	M 16 x 1	M 16 x 1.5	3/8	315 GS 16	
M 24	M 18 x 1	M 18 x 1.5		315 GS 18	
	M 22 x 1	M 22 x 1.5	5/8	315 GS 22	
		M 26 x 1.5	3/4	315 GS 26	
		M 30 x 1.5		315 GS 30	
		M 32 x 1.5	M 33 x 2	1	315 GS 32
		M 34 x 1.5			315 GS 34
			M 42 x 2		315 GS 41
			M 48 x 2		315 GS 47
		M 58 x 1.5		2	315 GS 58
			M 85 x 4		315 GS 82
				3	315 GS 86

This application table is a guide only. We will be happy to send you free samples for testing. For apertures and bore holes without thread, please use dimensions B and C. Other dimensions and bespoke designs available on request, see "Materials and Colours" on page 100.



Your KAPSTO® quality benefits:



Time-saving: Practical tab for easy handling.



Multi Functional: Flexible ribs for accommodating large tolerances.



Additional information: Protection for bore holes and internal threads.

Material: Polyethylene (PE-LLD)
Colour: Yellow

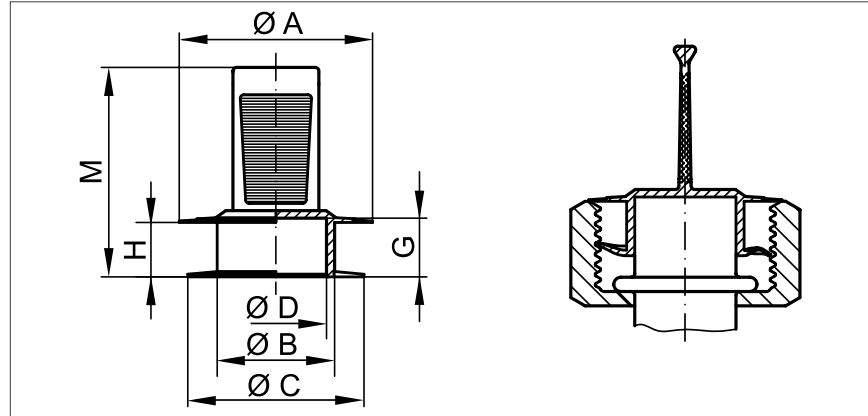


PÖPPELMANN

Contact, product search and sample requests: www.poepelmann.com

KAPSTO®

Grip Plugs GPN 330



Dimensions							Order no.
A	B	C	D	G	H	M	
14.3	6.4	12.3	4.4	5.5	4.1	26.5	330 L 12
16.3	8.4	14.3	6.4	5.5	4.1	26.5	330 L 14
18.3	10.4	16.3	8.4	5.5	4.1	26.5	330 L 16
21.0	10.4	18.5	8.4	5.5	4.1	26.5	330 L 18
21.0	13.6	19.7	11.6	8.3	6.1	29.3	330 L 19
22.5	13.6	20.7	11.6	8.3	6.1	29.3	330 L 20
25.0	16.4	22.9	14.4	8.3	7.6	29.3	330 L 22
27.0	16.4	24.9	14.4	8.3	7.6	29.3	330 L 24
30.0	19.6	27.9	17.6	8.3	8.1	29.3	330 L 27
31.0	19.6	28.8	17.6	8.3	7.9	29.3	330 L 28

Size in mm

Additional dimensions, heat-resistant types, and bespoke designs available on request, see "Materials and Colours" on page 100.

Your KAPSTO® quality benefits:



Time-saving: Practical tab for easy removal.



Multi Functional: Flexible shaft ribs for accommodating large tolerances.



Additional information: Suitable for bore holes and internal threads. Can also be used for special pipes with union nut. The ribs engage into the thread and position the union nut at the end of the conductor.

Material:
Polyethylene (PE-LD)
Colour:
Yellow

Application Guide

Standard thread	Metric threads			Pipe thread	Order no.
	Fine thread				
	M 10 x 1			1/8	330 L 12
M 12	M 12 x 1	M 12 x 1.5		1/4	330 L 12
M 14	M 14 x 1	M 14 x 1.5		1/4	330 L 14
M 16	M 16 x 1	M 16 x 1.5		3/8	330 L 16
			M 17 x 2		330 L 16
M 18	M 18 x 1	M 18 x 1.5	M 18 x 2	3/8	330 L 18
		M 19 x 1.5	M 19 x 2		330 L 18
	M 18 x 1			1/2	330 L 19
M 20	M 20 x 1	M 20 x 1.5	M 20 x 2		330 L 19
	M 20 x 1	M 20 x 1.5	M 20 x 2	1/2	330 L 20
	M 22 x 1	M 22 x 1.5	M 22 x 2	5/8	330 L 22
M 24					330 L 22
	M 22 x 1	M 22 x 1.5	M 22 x 2	5/8	330 L 24
M 24	M 24 x 1	M 24 x 1.5	M 24 x 2		330 L 24
	M 25 x 1	M 25 x 1.5	M 25 x 2		330 L 24
	M 26 x 1	M 26 x 1.5	M 26 x 2	3/4	330 L 27
M 27	M 27 x 1	M 27 x 1.5	M 27 x 2		330 L 27
		M 28 x 1.5	M 28 x 2		330 L 27
	M 27 x 1	M 27 x 1.5	M 27 x 2	7/8	330 L 28
M 30	M 28 x 1	M 28 x 1.5	M 28 x 2		330 L 28
		M 29 x 1.5	M 30 x 2		330 L 28

This application table is a guide only. We will be happy to send you free samples for testing. For apertures and bore holes without thread, please use dimensions B and C. Other dimensions and bespoke designs available on request, see "Materials and Colours" on page 100.



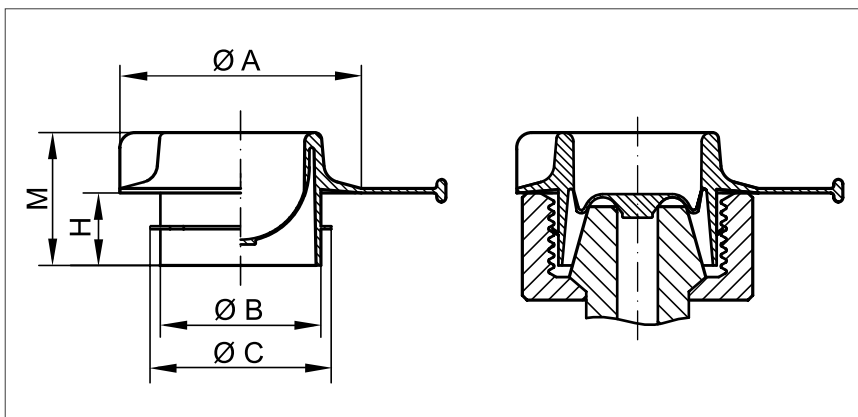
PÖPPELMANN

We will be happy to advise you: +49 4442 982-9100

KAPSTO®

Grip Closures

GPN 335



Dimensions					Order no.
A	B	C	H	M	
14.0	10.1	12.0	7.5	17.5	335 M 12 x 1.5
17.0	12.1	14.0	7.5	17.5	335 M 14 x 1.5
19.0	14.1	16.0	7.5	17.5	335 M 16 x 1.5
22.0	15.8	18.0	8.7	18.7	335 M 18 x 1.5
24.0	17.8	20.0	8.7	18.7	335 M 20 x 1.5
27.0	19.9	22.0	8.7	18.7	335 M 22 x 1.5
30.0	21.8	24.0	10.7	20.2	335 M 24 x 1.5
32.0	22.5	27.5	8.5	18.5	335 M 26 x 1.5
40.0	26.6	30.0	10.0	20.0	335 M 30 x 2
45.0	32.6	36.0	12.0	24.5	335 M 36 x 2
55.0	38.5	41.5	12.0	24.5	335 M 42 x 2
55.0	41.5	45.0	12.0	24.5	335 M 45 x 2
65.0	48.5	51.5	12.0	26.0	335 M 52 x 2

Size in mm

Additional dimensions, heat-resistant types, and bespoke designs available on request, see "Materials and Colours" on page 100.

Application Guide

Standard thread	Metric threads		Pipe thread	Order no.	
	Fine thread				
M 12	M 12 x 1	M 12 x 1.5		335 M 12 x 1.5	
	M 14 x 1	M 14 x 1.5		335 M 14 x 1.5	
	M 16 x 1	M 16 x 1.5	3/8	335 M 16 x 1.5	
	M 18 x 1	M 18 x 1.5		335 M 18 x 1.5	
	M 20 x 1	M 20 x 1.5	M 21 x 2	1/2	335 M 20 x 1.5
	M 22 x 1	M 22 x 1.5			335 M 22 x 1.5
M 24	M 24 x 1	M 24 x 1.5		335 M 24 x 1.5	
		M 25 x 1.5	3/4	335 M 26 x 1.5	
		M 26 x 1.5		335 M 26 x 1.5	
		M 27 x 1.5	M 27 x 2		335 M 26 x 1.5
M 30		M 30 x 1.5	M 30 x 2	7/8	335 M 30 x 2
		M 36 x 1.5	M 36 x 2	1 1/8	335 M 36 x 2
					335 M 36 x 2
M 39		M 42 x 1.5	M 42 x 2		335 M 42 x 2
					335 M 42 x 2
M 45		M 45 x 1.5	M 45 x 2		335 M 45 x 2
		M 52 x 1.5	M 52 x 2		335 M 52 x 2
M 56					335 M 52 x 2

This application table is a guide only. We will be happy to send you free samples for testing. For apertures and bore holes without thread, please use dimensions B and C. Other dimensions and bespoke designs available on request, see "Materials and Colours" on page 100.



Grip Plugs

Your KAPSTO® quality benefits:



Standard protection:

For transport and storage of hose fittings in accordance with DIN ISO 12151.



Time-saving: With tab on the side for fast removal.



Leak Proof: A thin-walled cone prevents penetration and leaking of liquids within certain limits.



Multi Functional: Flexible rib for accommodating larger tolerances.



Additional information: Also suitable for bore holes and internal threads.

Material:
Polyethylene (PE-LD)
Colour:
Yellow



PÖPPELMANN

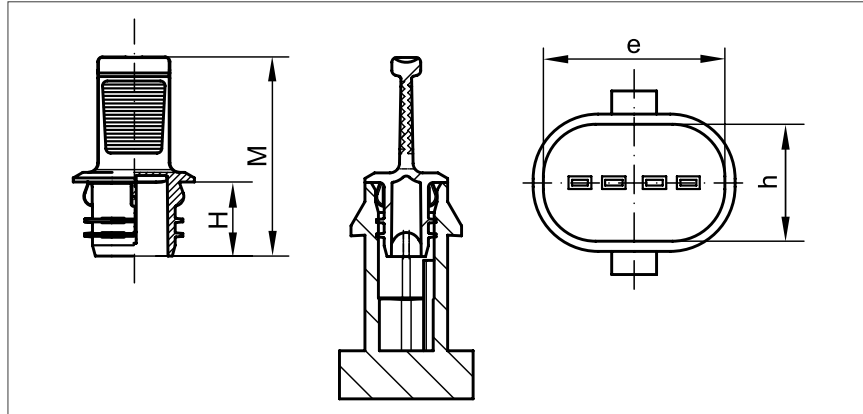
Contact, product search and sample requests: www.poeppelelmann.com

KAPSTO®

Contact Protection GPN 360



Type A



Type B

Type	Suitable for internal contour		Dimensions		Order no.
	e	h	H	M	
A	9.80	5.80	7.7	20.7	360 KS 1006
A	13.80	5.80	7.7	20.7	360 KS 1406
B	17.48	11.48	7.7	20.7	360 KS 1812
A	19.50	7.15	7.7	20.7	360 KS 2008
A	20.20	9.87	7.7	20.7	360 KS 2009
B	22.48	11.48	7.7	20.7	360 KS 2312
A	23.15	7.15	7.7	20.7	360 KS 2408
A	27.15	7.15	7.7	20.7	360 KS 2808
B	27.48	11.48	7.7	20.7	360 KS 2812
A	35.15	7.15	7.7	20.7	360 KS 3608
A	36.20	14.50	7.7	20.7	360 KS 3715
A	41.90	17.90	7.7	20.7	360 KS 4117

Size in mm

Additional dimensions, heat-resistant types, and bespoke designs available on request, see "Materials and Colours" on page 100.

Your KAPSTO® quality benefits:



Standard protection: Protection for compact connector sockets, e.g. MLK, SLK, and MAK.



Time-saving: With practical tab for fast removal.



Leak Proof: Prevents penetration of liquids within certain limits.



Additional information: Also suitable for oval apertures. Circumferential ribs for perfect design fit.

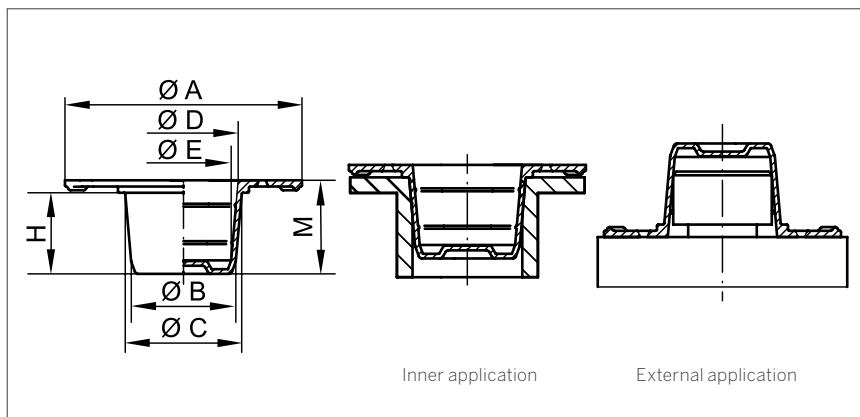
Material: Polyethylene (PE-LLD)
Colour: Yellow

Application Guide

Suitable for contact connectors										Order no.
MLK 1.2 AK Pole number					SLK 2.8 VDA Pole number			MAK 12 Pole number		
2	3	4	5	6	8	2	3	4	2	
•										360 KS 1006
	•									360 KS 1406
						•				360 KS 1812
		•								360 KS 2008
							•			360 KS 2312
			•							360 KS 2408
				•						360 KS 2808
					•					360 KS 2812
						•		•		360 KS 3608
									•	360 KS 3715

The contact protection GPN 360 has been developed for special compact connector sockets listed in the application table. The contact protection also matches other connections. Additional dimensions, heat-resistant types, and bespoke designs available on request, see "Materials and Colours" on page 100.

Universal Protection with Ring Lug GPN 615



Dimensions							Order no.
A	Inner application			External application			
	B	C	H	D	E	M	
29.0	7.3	9.1	10.0	7.7	5.9	12.0	615 UL 88
29.0	7.8	9.5	10.0	8.0	6.3	12.0	615 UL 91
29.0	9.5	11.1	10.0	9.6	7.9	12.0	615 UL 107
29.0	10.2	11.9	10.0	10.3	8.6	12.0	615 UL 114
29.0	11.5	13.1	10.0	11.6	9.9	12.0	615 UL 127
32.0	13.1	15.0	12.0	13.6	11.6	14.0	615 UL 147
34.0	13.5	15.2	12.0	14.1	12.1	14.0	615 UL 152
34.0	14.9	17.0	13.0	15.6	13.4	15.0	615 UL 167
38.0	17.0	19.2	13.0	17.5	15.3	15.0	615 UL 187
40.0	18.6	21.1	15.0	19.5	16.9	17.0	615 UL 207
46.0	21.5	24.7	18.0	22.9	19.8	20.0	615 UL 241
56.0	28.1	30.6	19.0	29.7	26.4	21.0	615 UL 309
80.0	42.2	45.4	19.0	43.5	40.2	21.0	615 UL 448

Size in mm

Additional dimensions, heat-resistant types, and bespoke designs available on request, see "Materials and Colours" on page 100.

Application Guide

Suitable for use as Stopfen (Inner application)				Order no.
Metric threads			Pipe thread	
Fine thread				
M 10 x 1	M 10 x 1.5		G 1/8	615 UL 88
	M 12 x 1.5			615 UL 91
			G 1/4	615 UL 107
	M 14 x 1.5			615 UL 114
	M 16 x 1.5			615 UL 127
			G 3/8	615 UL 147
	M 18 x 1.5			615 UL 152
	M 20 x 1.5		G 1/2	615 UL 167
	M 22 x 1.5		G 5/8	615 UL 187
	M 26 x 1.5		G 3/4	615 UL 207
	M 32 x 1.5	M 32 x 2	G 1	615 UL 241
			G 1 1/2	615 UL 309
				615 UL 448

This application table is a guide only. We will be happy to send you free samples for testing. For apertures and bore holes without thread, please use dimensions B and C. Other dimensions and bespoke designs available on request, see "Materials and Colours" on page 100.



Grip Plugs

Your KAPSTO® quality benefits:



Time-saving: Easy removal due to ring lug.



Multi Functional: The tapered design of the plug accommodates larger tolerances. Can also be used as a cap.



Additional information: Protects threads, pipes, hoses, and bores. No loss of construction space due to flat-type ring lug.

Material:
Polyethylene (PE-LD)
Colour:
Yellow

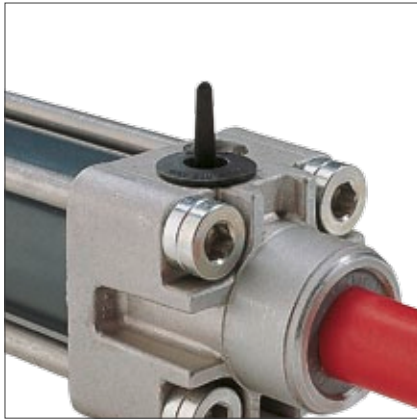
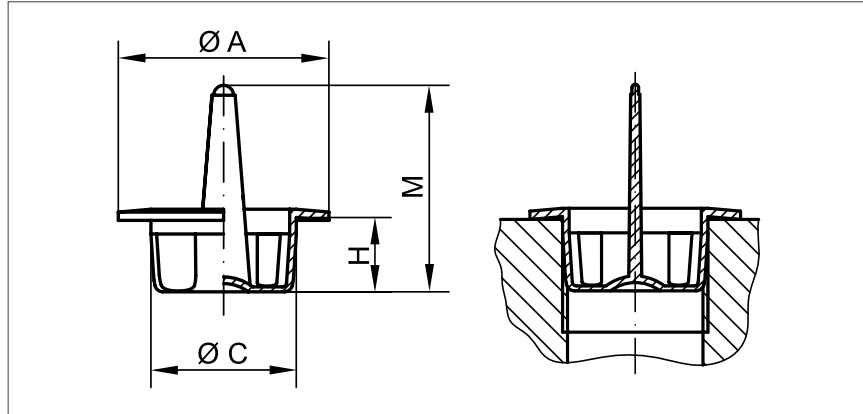


PÖPPELMANN

Contact, product search and sample requests: www.poeppelmann.com

KAPSTO®

Grip Plugs GPN 630



Dimensions				Order no.
A	C	H	M	
15.5	7.5	8.0	22.8	630 M 8 x 1
17.5	9.5	8.0	22.8	630 M 10 x 1
19.5	11.5	9.0	23.5	630 M 12 x 1
21.5	13.5	9.0	23.8	630 M 14 x 1.5
23.5	15.5	9.0	23.8	630 M 16 x 1.5
25.5	17.6	9.0	25.0	630 M 18 x 1.5
28.5	23.5	9.0	25.0	630 M 24 x 1.5

Size in mm

Additional dimensions, heat-resistant types, and bespoke designs available on request, see "Materials and Colours" on page 100.

Dimension M is not subject to DIN ISO 3302-1.

Your KAPSTO® quality benefits:



Time-saving:
With removal grip
for fast removal.



Temperature resistant:
Heat resistant to 150 °C.
More details: page 101,
"Physical properties".



Additional information:
Plugs are designed to turn
inside out during low abrasion
removal.

Material:

Thermoplastic
polyester elastomer (TPE)

Colour:

Black

Application Guide

Standard thread	Metric threads		Unified Thread pursuant to ASME / ANSI B 1.1 / UN / UNC / UNF / UNEF	Order no.	
	M 8	Fine thread			
M 8	M 8 x 1		5/16	630 M 8 x 1	
	M 10 x 1		3/8	630 M 10 x 1	
	M 12 x 1	M 12 x 1.25	1/2	630 M 12 x 1	
	M 13 x 1		M 14 x 1.5	630 M 14 x 1.5	
		M 16 x 1.5	M 17 x 2	5/8	630 M 16 x 1.5
		M 18 x 1.5	M 19 x 2	11/16	630 M 18 x 1.5
		M 24 x 1.5	M 25 x 2	15/16	630 M 24 x 1.5

This application table is a guide only. We will be happy to send you free samples for testing. For apertures and bore holes without thread, please use dimensions B and C. Other dimensions and bespoke designs available on request, see "Materials and Colours" on page 100.



PÖPPELMANN

We will be happy to advise you: +49 4442 982-9100

KAPSTO®

Screw Plugs



Reliable. Like our logistics.

Error-free order handling and on-time delivery is part of our standard service. Our customers value this: 99.5% customer satisfaction is not just the result of professional logistics.

Discover what's behind it! Our unique **Product and service benefits:**

- ⊕ Standard product range with more than 3,000 versions – available from stock.
- ⊕ No minimum order quantities, no standard packaging sizes.
- ⊕ Free samples.
- ⊕ Development and production of bespoke solutions on request.
- ⊕ Application advice, catalogue requests and orders: **+49 4442 982-9100**.



PÖPPELMANN

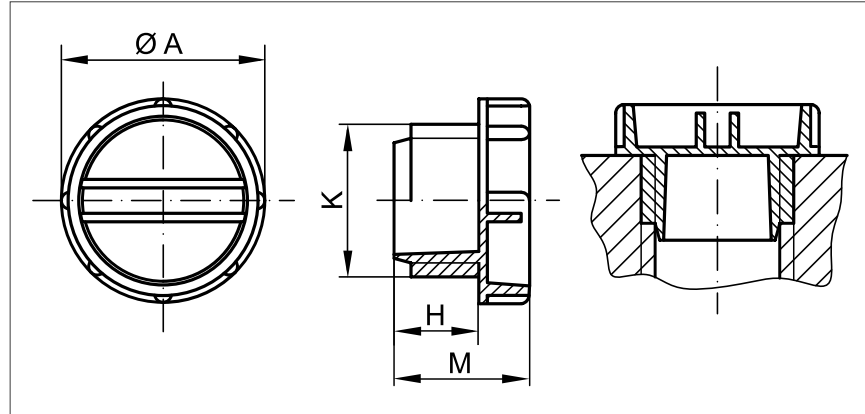
Contact, product search and sample requests: www.poeppelmann.com

KAPSTO®

Screw Plugs

GPN 700

with metric thread



Additional information:

Suitable for a wide range of metric and imperial internal threads, as well as pipe threads in accordance with DIN EN ISO 228-1. Easy-to-grip head for manual assembly. The small to medium sizes feature a slot so that screwdrivers can be used for installation.

Material:

Polyethylene (PE-HD)

Colour:

Yellow

Thread K	Dimensions			Order no.
	A	H	M	
M 6	12.0	7.0	12.0	700 M 6
M 6 x 0.75	12.0	7.0	12.0	700 M 6 x 0.75
M 8	12.0	7.0	12.0	700 M 8
M 10	14.0	9.0	14.0	700 M 10
M 12	16.0	9.0	14.0	700 M 12
M 14	19.0	9.0	14.0	700 M 14
M 16	21.0	10.0	16.0	700 M 16
M 18	24.0	10.0	16.0	700 M 18
M 20	26.0	12.0	18.0	700 M 20
M 22	28.0	12.0	18.0	700 M 22
M 24	31.5	10.0	18.0	700 M 24
M 30	35.4	17.7	26.0	700 M 30
M 36	43.6	18.0	28.0	700 M 36
M 42	51.7	17.7	27.8	700 M 42
M 8 x 1	12.0	7.0	12.0	700 M 8 x 1
M 10 x 1	14.0	9.0	14.0	700 M 10 x 1
M 12 x 1	16.0	9.0	14.0	700 M 12 x 1
M 14 x 1	19.0	9.0	14.0	700 M 14 x 1
M 18 x 1	24.0	10.0	16.0	700 M 18 x 1
M 12 x 1.5	16.0	9.0	14.0	700 M 12 x 1.5
M 14 x 1.5	19.0	9.0	14.0	700 M 14 x 1.5
M 16 x 1.5	21.0	10.0	16.0	700 M 16 x 1.5
M 18 x 1.5	24.0	10.0	16.0	700 M 18 x 1.5
M 20 x 1.5	26.0	12.0	18.0	700 M 20 x 1.5
M 22 x 1.5	28.0	12.0	18.0	700 M 22 x 1.5
M 24 x 1.5	31.5	10.0	18.0	700 M 24 x 1.5
M 26 x 1.5	31.5	12.0	20.0	700 M 26 x 1.5
M 30 x 1.5	36.0	12.0	20.0	700 M 30 x 1.5*
M 36 x 1.5	44.0	13.0	23.0	700 M 36 x 1.5*
M 42 x 1.5	51.0	15.0	25.0	700 M 42 x 1.5*
M 45 x 1.5	55.0	15.0	25.0	700 M 45 x 1.5*
M 52 x 1.5	60.0	15.0	25.0	700 M 52 x 1.5*
M 24 x 2	31.5	10.0	18.0	700 M 24 x 2
M 27 x 2	32.0	12.0	20.0	700 M 27 x 2*
M 30 x 2	36.0	12.0	20.0	700 M 30 x 2*
M 33 x 2	39.0	13.0	23.0	700 M 33 x 2*
M 36 x 2	44.0	13.0	23.0	700 M 36 x 2*
M 42 x 2	52.0	15.0	25.0	700 M 42 x 2*
M 45 x 2	55.0	15.0	25.0	700 M 45 x 2*
M 52 x 2	60.0	15.0	25.0	700 M 52 x 2*

Size in mm

Additional dimensions, heat-resistant types, and bespoke designs available on request, see "Materials and Colours" on page 100.

*Head without slot.



PÖPPELMANN

We will be happy to advise you: +49 4442 982-9100

KAPSTO®

Screw Plugs

GPN 700

with imperial thread

Thread K	Dimensions			Order no.
	A	H	M	
14 - 18 NPTF	19,0	9,0	15,0	700 1/4 - 18 NPTF
1/4 - 28 UNF	12,0	7,0	12,0	700 1/4 - 28 UNF*
3/8 - 24 UNF	14,0	9,0	14,0	700 3/8 - 24 UNF
7/16 - 20 UNF	16,0	9,0	14,0	700 7/16 - 20 UNF
1/2 - 20 UNF	16,0	9,0	14,0	700 1/2 - 20 UNF
9/16 - 18 UNF	19,0	9,0	14,0	700 9/16 - 18 UNF
5/8 - 18 UNF	21,0	10,0	16,0	700 5/8 - 18 UNF
3/4 - 16 UNF	26,0	12,0	18,0	700 3/4 - 16 UNF
7/8 - 14 UNF	28,0	12,0	18,0	700 7/8 - 14 UNF
1 - 14 UNS	32,0	10,0	18,0	700 1 - 14 UNS*
1 1/16 - 12 UN	32,0	12,0	20,0	700 1 1/16 - 12 UN*
1 5/16 - 12 UN	42,0	13,0	23,0	700 1 5/16 - 12 UN*
1 5/8 - 12 UN	52,0	15,0	25,0	700 1 5/8 - 12 UN*
1 7/8 - 12 UN	57,0	15,0	25,0	700 1 7/8 - 12 UN*

Size in mm

Additional dimensions, heat-resistant types, and bespoke designs available on request, see "Materials and Colours" on page 100.

*Head without slot.

Material:

Polyethylene (PE-HD)

Colour:

Yellow

GPN 700

with Pipe thread (DIN EN ISO 228-1)

Thread K	Dimensions			Order no.
	A	H	M	
G 1/8	14,0	9,0	14,0	700 G 1/8
G 1/4	19,0	9,0	14,0	700 G 1/4
G 3/8	21,0	10,0	16,0	700 G 3/8
G 1/2	26,0	12,0	18,0	700 G 1/2
G 5/8	28,0	12,0	18,0	700 G 5/8
G 3/4	31,5	12,0	20,0	700 G 3/4

Size in mm

Additional dimensions, heat-resistant types, and bespoke designs available on request, see "Materials and Colours" on page 100.

Material:

Polyethylene (PE-HD)

Colour:

Yellow

Screw Plugs

GPN 703with metric thread,
only 2 1/2 thread pitches

Thread K	Dimensions			Order no.
	A	H	M	
M 10 x 1	14,5	4,0	9,0	703 M 10 x 1
M 12 x 1,5	17,5	6,0	11,0	703 M 12 x 1,5
M 14 x 1,5	19,0	6,0	11,0	703 M 14 x 1,5
M 16 x 1,5	22,5	6,5	12,5	703 M 16 x 1,5
M 18 x 1,5	24,0	7,0	16,0	703 M 18 x 1,5
M 20 x 1,5	26,0	7,0	13,0	703 M 20 x 1,5
M 22 x 1,5	27,5	7,0	13,0	703 M 22 x 1,5
M 24 x 1,5	29,5	7,0	18,0	703 M 24 x 1,5
M 26 x 1,5	32,0	14,5	22,5	703 M 26 x 1,5
M 28 x 1,5	34,0	8,0	19,0	703 M 28 x 1,5

Size in mm

Additional dimensions, heat-resistant types, and bespoke designs available on request, see "Materials and Colours" on page 100.

Your KAPSTO® quality benefits:



Time-saving: Screw-stopper with only 2 1/2 threads for faster installation.

Material:

Polyethylene (PE-LD)

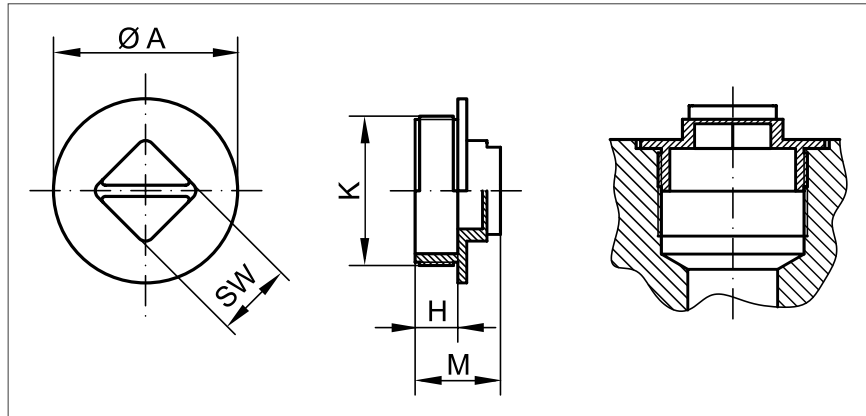
Colour:

Yellow

**PÖPPELMANN**Contact, product search and sample requests: www.poeppelmann.com**KAPSTO®**

Screw Plugs

GPN 710



Thread K	Dimensions				Order no.
	A	H	M	Spanner width (width across flat)	
G 1/8	13.0	7.0	13.0	9	710 G 1/8
G 1/4 *	16.0	7.0	13.0	9	710 G 1/4 *
G 3/8	21.0	7.0	15.0	12	710 G 3/8
G 1/2	27.0	9.0	19.0	13	710 G 1/2
G 3/4	34.0	7.0	17.0	14	710 G 3/4
G 1	41.0	9.5	19.0	17	710 G 1
G 1 1/4	52.0	9.5	21.0	19	710 G 1 1/4
G 1 1/2	60.0	12.0	25.0	24	710 G 1 1/2
G 2	72.0	12.0	25.0	27	710 G 2

Size in mm

Additional dimensions, heat-resistant types, and bespoke designs available on request, see "Materials and Colours" on page 100.

*Head without slot.



Additional information:

With collar and slotted square head, for installation using a spanner or screwdriver.

Material:

Polypropylene (PP)

Colour:

Black



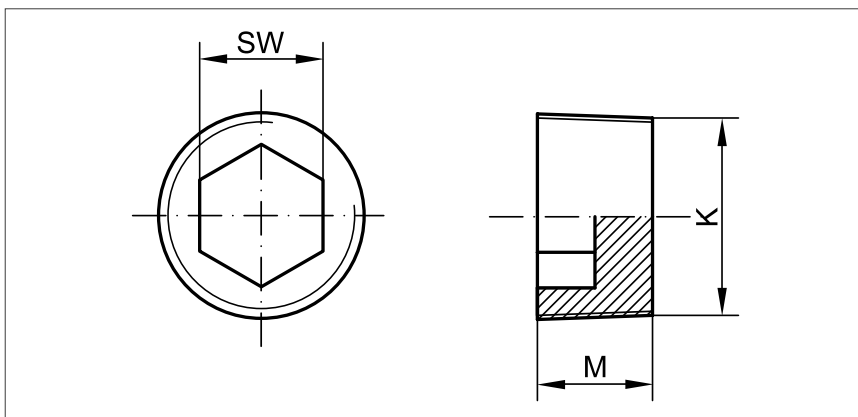
PÖPPELMANN

We will be happy to advise you: +49 4442 982-9100

KAPSTO®

Screw Plugs

GPN 720 Type A



Thread K	Dimensions			Order no.
	M	Spanner width inch	Spanner width metric	
1/8 - 27 NPT	8.5		5	720 / 1766
1/4 - 18 NPT	12.5	1/4		720 / 1602
1/4 - 18 NPT	12.5		6	720 / 1767
3/8 - 18 NPT	13.0	5/16	8	720 / 1601
1/2 - 14 NPT	16.5	3/8		720 / 1600
1/2 - 14 NPT	16.5		10	720 / 1768
3/4 - 14 NPT	17.0	9/16		720 / 1599
3/4 - 14 NPT	17.0		14	720 / 1769
1 - 11 1/2 NPT	21.2	5/8		720 / 1598
1 - 11 1/2 NPT	21.2		17	720 / 1770
1 1/4 - 11 1/2 NPT	22.0	3/4	19	720 / 1597
1 1/2 - 11 1/2 NPT	22.5	53/64		720 / 1596
1 1/2 - 11 1/2 NPT	22.5		22	720 / 1771
M16	16.0		8	720 / 0052
M30	22.5		19	720 / 8016

Size in mm

Additional dimensions, heat-resistant types, and bespoke designs available on request, see "Materials and Colours" on page 100.



Your KAPSTO® quality benefits:



Robust: Thick-walled type for higher loads.

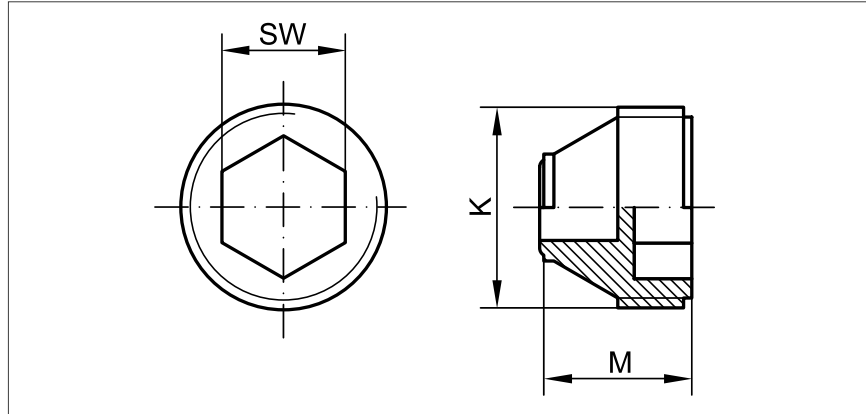


Additional information: Immersible screw plug with hexagonal socket.

Material:
Polyethylene (PE-LD)
Colour:
Yellow

Screw Plugs

GPN 720 Type B



Thread K	Dimensions		Order no.
	M	Spanner width metric	
M10 x 1	11.2	5	720 / 9463
M16 x 1.5	14.0	8	720 / 0232
M18 x 1.5	13.3	10	720 / 1763
M20 x 1.5	17.4	13	720 / 1668

Size in mm

Additional dimensions, heat-resistant types, and bespoke designs available on request, see "Materials and Colours" on page 100.

Your KAPSTO® quality benefits:



Leak Proof: Depending on the application, the sealing cone will prevent penetration or leaking of liquids.



Additional information: Immersible screw plug with hexagonal socket.

Material:

Polyethylene (PE-LD)

Colour:

Yellow



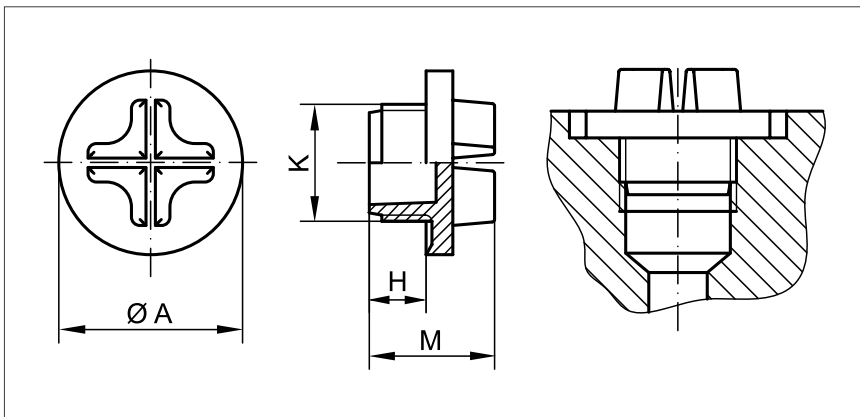
PÖPPELMANN

We will be happy to advise you: +49 4442 982-9100

KAPSTO®

Sealing Screw Plugs GPN 730

with metric thread (DIN 13)



Thread K	Dimensions			Order no.
	A	H	M	
M 10 x 1	18.0	6.8	15.0	730 M 10 x 1
M 12 x 1.5	20.0	6.8	15.0	730 M 12 x 1.5
M 14 x 1.5	22.0	6.8	15.0	730 M 14 x 1.5
M 16 x 1.5	22.0	6.8	15.0	730 M 16 x 1.5
M 18 x 1.5	25.7	8.0	16.5	730 M 18 x 1.5
M 22 x 1.5	29.3	10.0	21.5	730 M 22 x 1.5
M 26 x 1.5	34.8	8.0	19.5	730 M 26 x 1.5
M 27 x 2	34.8	8.0	19.5	730 M 27 x 2
M 33 x 2	39.5	6.0	17.3	730 M 33 x 2

Size in mm

Additional dimensions, heat-resistant types, and bespoke designs available on request, see "Materials and Colours" on page 100.



Material:
Polyethylene (PE-HD)
Colour:
Black

GPN 730

with Pipe thread (DIN EN ISO 228-1)

Your KAPSTO® quality benefits:



Leak Proof: Sealing lip (no mould-parting feature) prevents the penetration or leaking of liquids, depending on the application.



Robust: Imperial screw-plugs are made of robust PA 6.6 for increased demands.



Additional information: Installation with screwdriver, or machine with special spanner.

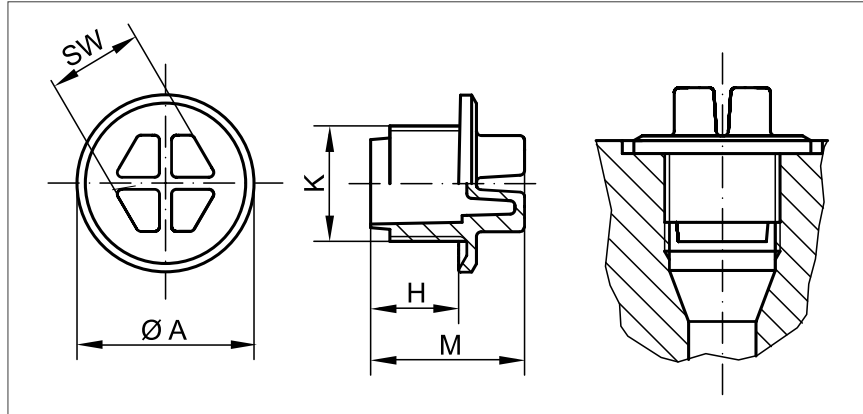
Thread K	Dimensions			Order no.
	A	H	M	
G 1/4	16.5	8.0	16.0	730 G 1/4
G 3/8	20.0	10.0	19.0	730 G 3/8
G 1/2	25.0	13.0	23.8	730 G 1/2
G 3/4	31.0	19.0	25.8	730 G 3/4

Size in mm

Additional dimensions, heat-resistant types, and bespoke designs available on request, see "Materials and Colours" on page 100.

Sealing Screw Plugs

GPN 735



Thread K	Dimensions			Spanner width (width across flat)	Order no.
	A	H	M		
M 8 x 1	12.2	8.0	15.0	7	735 M 8 x 1
M 10 x 1	14.2	8.0	15.0	7	735 M 10 x 1
M 12 x 1.5	17.2	11.0	18.0	10	735 M 12 x 1.5
M 14 x 1.5	19.2	11.0	19.0	10	735 M 14 x 1.5
M 16 x 1.5	22.0	11.0	21.0	13	735 M 16 x 1.5
M 18 x 1.5	24.0	11.0	21.0	13	735 M 18 x 1.5
M 20 x 1.5	26.0	11.0	21.0	15	735 M 20 x 1.5
M 22 x 1.5	27.2	11.0	21.0	15	735 M 22 x 1.5
M 26 x 1.5	32.0	13.5	23.5	19	735 M 26 x 1.5
M 27 x 2	32.3	11.0	21.0	19	735 M 27 x 2
M 33 x 2	40.4	13.5	23.5	24	735 M 33 x 2
M 42 x 2	50.0	13.5	24.5	24	735 M 42 x 2
M 48 x 2	55.4	13.5	24.5	30	735 M 48 x 2
M 60 x 2	68.5	13.5	24.5	30	735 M 60 x 2
G 1/4	19.2	7.5	15.0	10	735 G 1/4
G 3/8	22.2	7.5	17.5	13	735 G 3/8
G 1/2	27.2	9.5	19.5	15	735 G 1/2
G 3/4	32.3	9.5	19.5	19	735 G 3/4
G 1	40.0	11.5	21.5	24	735 G 1
G 1 1/4	50.4	11.5	22.5	24	735 G 1 1/4
G 1 1/2	55.4	11.5	22.5	30	735 G 1 1/2
9/16 - 18 UNF	17.8	11.0	18.0	10	735 9/16 - 18 UNF

Size in mm

Additional dimensions, heat-resistant types, and bespoke designs available on request, see "Materials and Colours" on page 100.

Your KAPSTO® quality benefits:



Standard protection:

For closing internal threads in accordance with DIN EN 3852-1, DIN ISO 6149-1.



Leak Proof: The circumferential sealing lip (no mould-parting feature) prevents the penetration or leaking of liquids depending on the application.



Robust: Made from premium, impact-resistant polyamide.



Additional information:

Installation either with screw driver or spanner. Particularly suitable for processes like cleaning, testing, painting, or for transport.

Material:

Polyamide (PA 6)

Colour:

Yellow



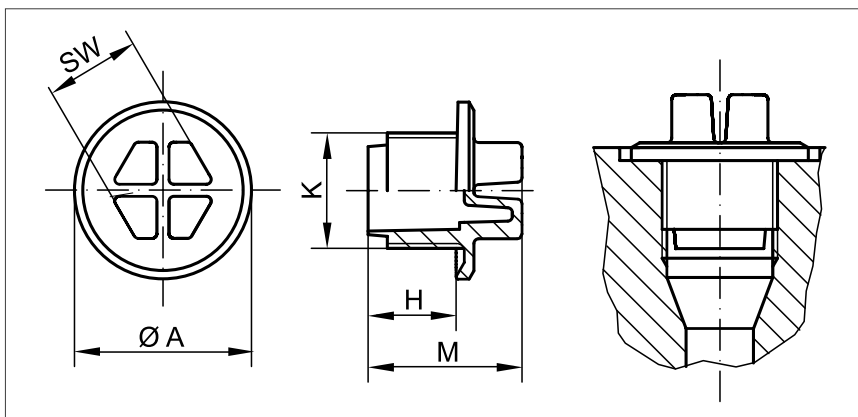
PÖPPELMANN

We will be happy to advise you: +49 4442 982-9100

KAPSTO®

Sealing Screw Plugs

GPN 736



Thread K	Dimensions				Order no.
	A	H	M	Spanner width (width across flat)	
M 10 x 1	15.4	8.0	15.0	7	736 M 10 x 1
M 12 x 1.5	18.4	9.0	16.0	10	736 M 12 x 1.5
M 14 x 1.5	20.4	9.0	17.0	10	736 M 14 x 1.5
M 16 x 1.5	23.4	10.0	20.0	13	736 M 16 x 1.5
M 18 x 1.5	25.4	11.0	21.0	13	736 M 18 x 1.5
M 22 x 1.5	28.4	12.0	22.0	15	736 M 22 x 1.5
M 27 x 2	33.4	15.0	25.0	19	736 M 27 x 2
M 33 x 2	42.3	15.0	25.0	24	736 M 33 x 2
M 42 x 2	51.3	15.0	26.0	24	736 M 42 x 2
M 48 x 2	56.3	17.0	28.0	30	736 M 48 x 2
7/16 - 20 UNF	17.4	9.0	16.0	10	736 7/16 - 20 UNF
9/16 - 18 UNF	21.4	10.0	18.0	10	736 9/16 - 18 UNF
3/4 - 16 UNF	26.9	11.0	21.0	13	736 3/4 - 16 UNF
7/8 - 14 UNF	30.4	13.0	23.0	15	736 7/8 - 14 UNF
1 1/16 - 12 UN	37.9	15.0	25.0	19	736 1 1/16 - 12 UN
1 5/16 - 12 UN	44.8	15.0	25.0	24	736 1 5/16 - 12 UN
1 5/8 - 12 UN	55.8	15.0	26.0	30	736 1 5/8 - 12 UN
1 7/8 - 12 UN	63.3	15.0	26.0	30	736 1 7/8 - 12 UN

Size in mm

Additional dimensions, heat-resistant types, and bespoke designs available on request, see "Materials and Colours" on page 100.



Your KAPSTO® quality benefits:



Standard protection:
Suitable for internal threads in accordance with DIN 3852-1, ISO 11926.



Leak Proof: The circumferential sealing lip (no mould-parting feature) prevents the penetration or leaking of liquids depending on the application.



Robust: Made from premium, impact-resistant polyamide.



Additional information:
Installation either with screw driver or spanner. Particularly suitable for processes like cleaning, testing, painting, or for transport.

Material:
Polyamide (PA 6)
Colour:
Yellow

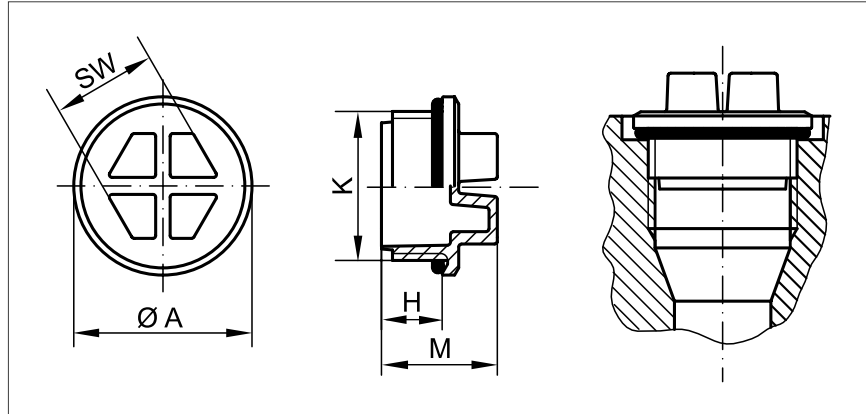


PÖPPELMANN

Contact, product search and sample requests: www.poeppelmann.com

KAPSTO®

Sealing Screw Plugs with O-Ring GPN 737



Thread K	Dimensions			Spanner width (width across flat)	Order no.
	A	H	M		
M 8 x 1	12.2	8.0	15.0	6	737 M 8 x 1
M 10 x 1	14.2	8.0	15.0	7	737 M 10 x 1
M 12 x 1.5	17.2	11.0	18.0	10	737 M 12 x 1.5
M 14 x 1.5	19.2	11.0	19.0	10	737 M 14 x 1.5
M 16 x 1.5	22.0	11.0	21.0	13	737 M 16 x 1.5
M 18 x 1.5	24.0	11.0	21.0	13	737 M 18 x 1.5
M 20 x 1.5	26.0	11.0	21.0	15	737 M 20 x 1.5
M 22 x 1.5	27.2	11.0	21.0	15	737 M 22 x 1.5
M 26 x 1.5	32.0	13.5	23.5	19	737 M 26 x 1.5
M 27 x 2	32.3	11.0	21.0	19	737 M 27 x 2
M 33 x 2	40.4	13.5	23.5	24	737 M 33 x 2
M 42 x 2	50.0	13.5	24.5	24	737 M 42 x 2
M 48 x 2	55.4	13.5	24.5	30	737 M 48 x 2
M 60 x 2	68.5	13.5	24.5	30	737 M 60 x 2
G 1/4	19.2	7.5	15.0	10	737 G 1/4
G 3/8	22.2	7.5	17.5	13	737 G 3/8
G 1/2	27.2	9.5	19.5	15	737 G 1/2
G 3/4	32.3	9.5	19.5	19	737 G 3/4
G 1	40.0	11.5	21.5	24	737 G 1
G 1 1/4	50.4	11.5	22.5	24	737 G 1 1/4
G 1 1/2	55.4	11.5	22.5	30	737 G 1 1/2
9/16 - 18 UNF	17.8	11.0	18.0	10	737 9/16 - 18 UNF

Size in mm

Additional dimensions, heat-resistant types, and bespoke designs available on request, see "Materials and Colours" on page 100.

Your KAPSTO® quality benefits:



Standard protection: Suitable for internal threads in accordance with DIN 3852-1, DIN ISO 6149 -1.



Leak Proof: The circumferential sealing lip (no mould-parting feature) and the O-ring prevent the penetration or leaking of liquids depending on the application.



Robust: Made from premium, impact-resistant polyamide.



Additional information: Same design as GPN 735 but fitted with O-ring. For high leak proof requirements, e.g. untreated sealing surfaces, high process temperatures, long process times, and increased pressure inside the component.

Material:
Polyamide (PA 6)
Colour:
Yellow

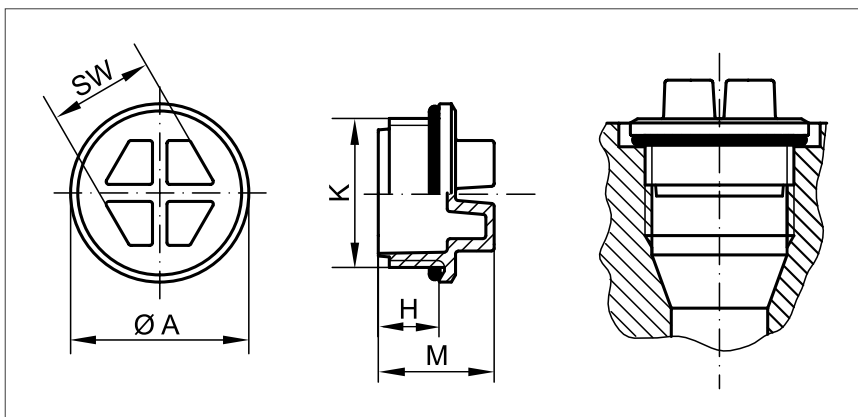


PÖPPELMANN

We will be happy to advise you: +49 4442 982-9100

KAPSTO®

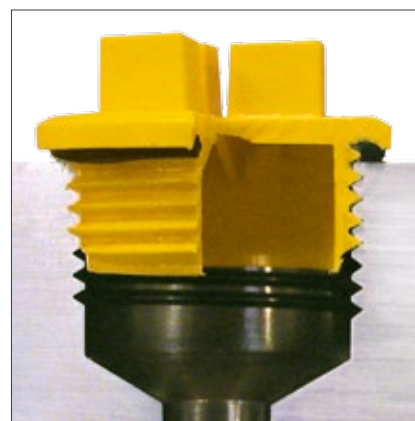
Sealing Screw Plugs with O-Ring GPN 738



Thread K	Dimensions				Order no.
	A	H	M	Spanner width (width across flat)	
M 10 x 1	15.4	8.0	15.0	7	738 M10 x 1
M 12 x 1.5	18.4	9.0	16.0	10	738 M12 x 1.5
M 14 x 1.5	20.4	9.0	17.0	10	738 M14 x 1.5
M 16 x 1.5	23.4	10.0	20.0	13	738 M16 x 1.5
M 18 x 1.5	25.4	11.0	21.0	13	738 M18 x 1.5
M 22 x 1.5	28.4	12.0	22.0	15	738 M22 x 1.5
M 27 x 2	33.4	15.0	25.0	19	738 M27 x 2
M 33 x 2	42.3	15.0	25.0	24	738 M33 x 2
M 42 x 2	51.3	15.0	26.0	24	738 M42 x 2
M 48 x 2	56.3	17.0	28.0	30	738 M48 x 2
7/16 - 20 UNF	17.4	9.0	16.0	10	738 7/16 - 20 UNF
9/16 - 18 UNF	21.4	10.0	18.0	10	738 9/16 - 18 UNF
3/4 - 16 UNF	26.9	11.0	21.0	13	738 3/4 - 16 UNF
7/8 - 14 UNF	30.4	13.0	23.0	15	738 7/8 - 14 UNF
1 1/16 - 12 UN	37.9	15.0	25.0	19	738 1 1/16 - 12 UN
1 5/16 - 12 UN	44.8	15.0	25.0	24	738 1 5/16 - 12 UN
1 5/8 - 12 UN	55.8	15.0	26.0	30	738 1 5/8 - 12 UN
1 7/8 - 12 UN	63.3	15.0	26.0	30	738 1 7/8 - 12 UN

Size in mm

Additional dimensions, heat-resistant types, and bespoke designs available on request, see "Materials and Colours" on page 100.



Your KAPSTO® quality benefits:



Standard protection: Suitable for internal threads in accordance with to DIN 3852-1, ISO 11926.



Leak Proof: The circumferential sealing lip (no mould-parting feature) and the O-ring prevent the penetration or leaking of liquids depending on the application.



Robust: Made from premium, impact-resistant polyamide.



Additional information: Same design as GPN 736 but fitted with O-ring. For high leak proof requirements, e.g. untreated sealing surfaces, high process temperatures, long process times, and increased pressure inside the component.

Material:
Polyamide (PA 6)
Colour:
Yellow

KAPSTO®

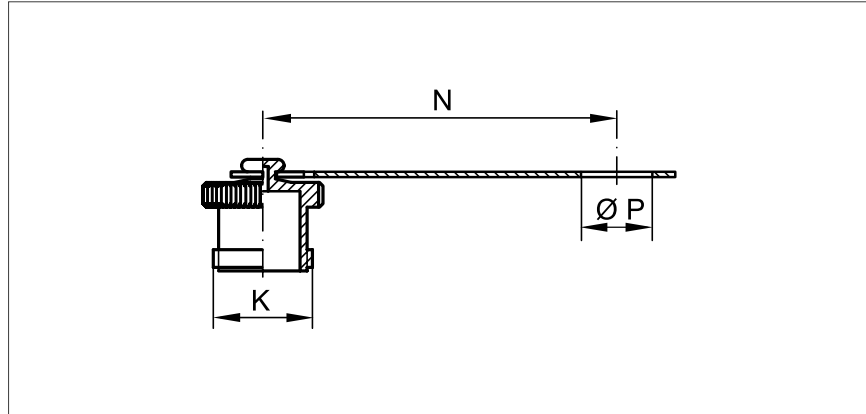


PÖPPELMANN

Contact, product search and sample requests: www.poeppelemann.com

Protective Dust Plugs

GPN 930 Type A



Suitable for nominal size	Dimensions			Order no.
	K	N	P	
DN 6 + 8	M 28 x 2	100.0	20.0	930 / 10075*
DN 10 + 12	M 36 x 2	110.0	24.0	930 / 10079*
DN 10 + 12	M 36 x 2	135.0	29.5	930 / 10030
DN 16 + 20	RD 48 x 3	145.0	41.0	930 / 10083*
DN 25 + 32	RD 70 x 3	200.0	55.0	930 / 10087*

Size in mm

Additional dimensions, heat-resistant types, and bespoke designs available on request, see "Materials and Colours" on page 100.

Your KAPSTO® quality benefits:



Standard protection:

Protect open couplings, and particularly their thread.



Leak Proof: Prevents damage and contamination and provides limited sealing action.



Additional information:

Threaded.

Material:

Polyethylene (PE-HD)

Strap material:

Polyethylene (PE-LLD)

Colour:

Red



PÖPPELMANN

We will be happy to advise you: +49 4442 982-9100

KAPSTO®

Flange Covers



Efficient. Like our product search at poeppele.com.

Just one click away from a matching solution. Reach your goal via various paths: You can search by application, GPN number, or any key word. Click. Finished.

Discover what's behind it! Our unique **Product and service benefits:**

- ⊕ Standard product range with more than 3,000 versions – available from stock.
- ⊕ No minimum order quantities, no standard packaging sizes.
- ⊕ Free samples.
- ⊕ Development and production of bespoke solutions on request.
- ⊕ Application advice, catalogue requests and orders: **+49 4442 982-9100**.



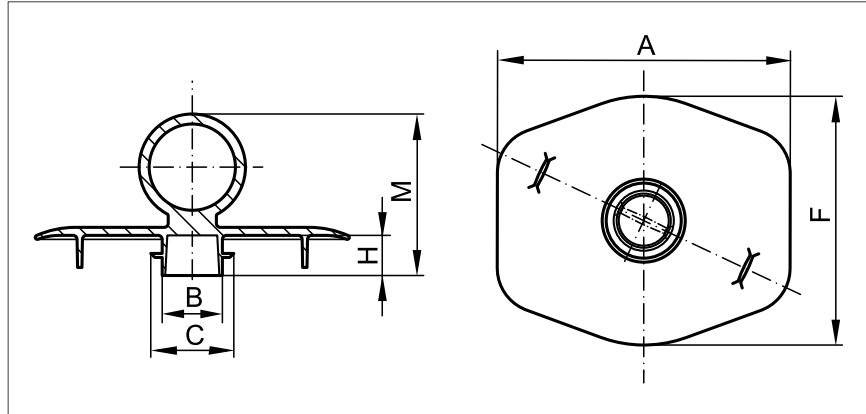
PÖPPELMANN

Contact, product search and sample requests: www.poeppele.com

KAPSTO®

Flange Covers

GPN 640



Suitable for flange size High pressure	A	F	B	C	H	M	Order no.
1/2	58.0	50.0	8.5	14.3	10.0	40.3	640 HD 1/2
3/4	73.0	62.0	15.0	20.7	10.0	40.3	640 HD 3/4
1	83.0	72.0	20.0	27.0	10.0	40.3	640 HD 1
1 1/4	98.0	81.0	26.5	33.5	10.0	40.3	640 HD 1 1/4

Size in mm

Additional dimensions, heat-resistant types, and bespoke designs available on request, see "Materials and Colours" on page 100.

Your KAPSTO® quality benefits:



Standard protection:
Protection for SAE flanges.



Time-saving: With ring
lug for easy handling.



Multi Functional:
Larger tolerances
accommodated by ribs.



Additional information:
With clamping ribs and
positioning bars for reliable fit.

Material:
Polyethylene (PE-LLD)
Colour:
Yellow

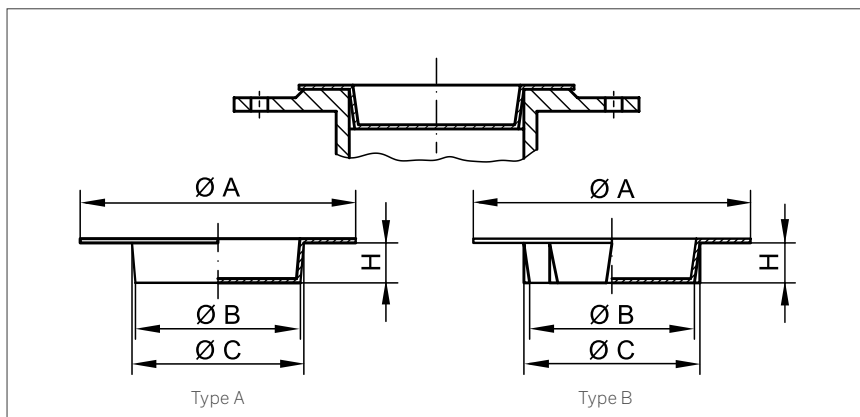


PÖPPELMANN

We will be happy to advise you: +49 4442 982-9100

KAPSTO®

Flange Covers GPN 650



Type A (shaft without ribs)

Suitable for Nominal width	Dimensions				Order no.
	A	B	C	H	
15.0	45.0	14.0	16.8	10.0	650 / 15
20.0	58.0	19.0	22.8	15.0	650 / 20
25.0	68.0	23.0	27.0	15.0	650 / 25
32.0	78.0	30.0	34.0	14.8	650 / 32
40.0	88.0	38.0	42.0	15.0	650 / 40
50.0	102.0	48.0	52.0	15.0	650 / 50
65.0	122.0	62.0	67.8	20.0	650 / 65
70.0	128.0	67.0	73.4	20.0	650 / 70
80.0	138.0	77.0	82.8	20.0	650 / 80
100.0	162.0	97.0	103.3	20.0	650 / 100
125.0	205.0	122.0	127.6	20.0	650 / 125
140.0	220.0	137.0	143.8	20.0	650 / 140
150.0	245.0	147.0	152.8	20.0	650 / 150
200.0	300.0	197.0	202.0	18.0	650 / 200
250.0	395.0	248.0	252.0	18.0	650 / 250

Size in mm

Additional dimensions, heat-resistant types, and bespoke designs available on request, see "Materials and Colours" on page 100.

Type B (shaft with ribs)

Suitable for Nominal width	Dimensions				Order no.
	A	B	C	H	
10.0	40.0	7.5	10.5	10.0	650 / 10-R
15.0	45.0	12.5	15.8	10.0	650 / 15-R
20.0	59.0	16.0	22.0	15.0	650 / 20-R
25.0	68.0	21.0	26.0	15.0	650 / 25-R
32.0	78.0	28.0	33.5	15.0	650 / 32-R
40.0	88.0	36.0	41.5	15.0	650 / 40-R
50.0	102.0	46.0	51.0	15.0	650 / 50-R
65.0	122.0	60.0	66.0	20.0	650 / 65-R
80.0	138.0	74.5	81.0	20.0	650 / 80-R
100.0	162.0	93.0	102.0	20.0	650 / 100-R
125.0	205.0	118.0	127.0	20.0	650 / 125-R
150.0	245.0	140.0	152.0	20.0	650 / 150-R

Size in mm

Additional dimensions, heat-resistant types, and bespoke designs available on request, see "Materials and Colours" on page 100.



Your KAPSTO® quality benefits:



Standard protection: Protection for flanges in accordance with DIN EN 1092-1 and DIN EN 28117.



Multi Functional: Design B with additional clamping ribs for accommodating larger tolerances.

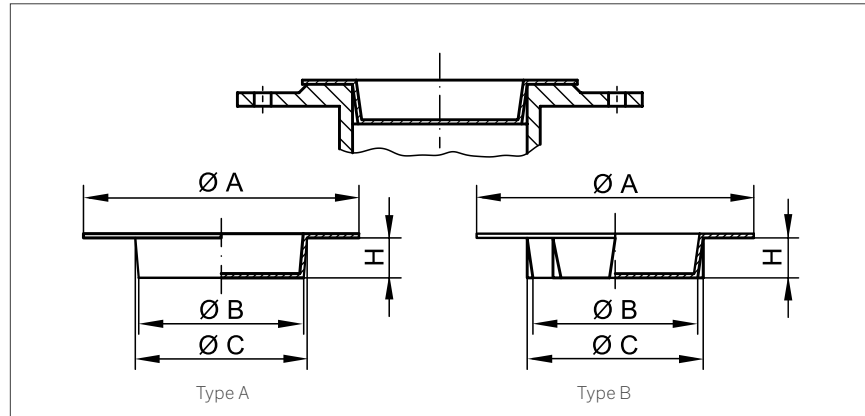


Additional information: Closes the opening and protects the sealing face of the flange fitting.

Material: Polyethylene (PE-LD)
Colour: Yellow

Flange Covers

GPN 655



Type A (shaft without ribs)

Suitable for Nominal width	Dimensions				Order no.
	A	B	C	H	
200.0	270.0	208.0	210.0	18.0	655 / 200
250.0	375.0	255.0	261.0	20.5	655 / 250
300.0	375.0	308.0	313.0	22.0	655 / 300
350.0	440.0	341.0	346.0	22.5	655 / 350
400.0	490.0	398.0	408.0	30.0	655 / 400

Size in mm

Additional dimensions, heat-resistant types, and bespoke designs available on request, see "Materials and Colours" on page 100.

Your KAPSTO® quality benefits:



Standard protection:

Protection for flanges in accordance with ASME B 16.5.



Multi Functional:

Design B with additional clamping ribs for accommodating larger tolerances.



Additional information:

Closes the opening and protects the sealing face of the flange fitting.

Material:

Polyethylene (PE-LD)

Colour:

Yellow

Type B (shaft with ribs)

Suitable for Nominal width	Dimensions				Order no.
	A	B	C	H	
15.0	75.0	16.7	17.8	10.0	655 / 15-R
25.0	100.0	27.3	28.8	15.0	655 / 25-R
32.0	110.0	36.5	38.5	15.0	655 / 32-R
40.0	125.0	42.0	44.4	15.0	655 / 40-R
50.0	135.0	55.0	56.5	15.0	655 / 50-R
65.0	122.0	68.0	71.0	20.0	655 / 65-R
80.0	138.0	81.0	83.1	20.0	655 / 80-R
100.0	190.0	106.0	108.5	20.0	655 / 100-R
125.0	225.0	131.5	134.0	20.0	655 / 125-R
150.0	270.0	160.0	161.5	20.0	655 / 150-R

Size in mm

Additional dimensions, heat-resistant types, and bespoke designs available on request, see "Materials and Colours" on page 100.



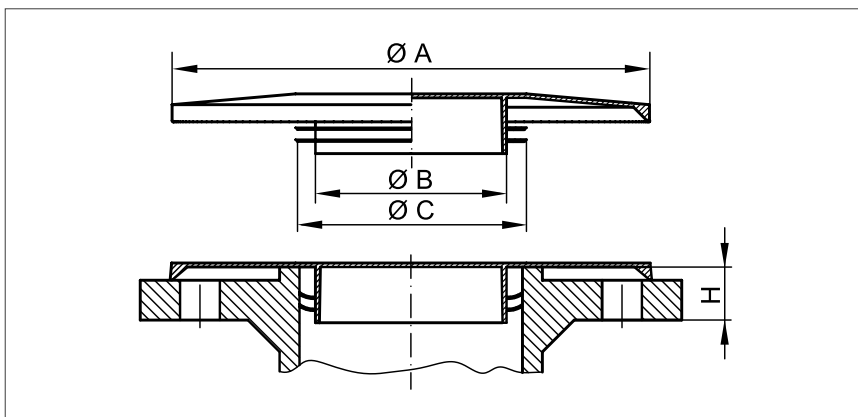
PÖPPELMANN

We will be happy to advise you: +49 4442 982-9100

KAPSTO®

Flange Covers

GPN 670



Dimensions				Order no.
A	B	C	H	
86.0	7.0	14.0	14.0	670 DN 10
90.0	10.0	19.0	14.0	670 DN 15
100.0	14.0	24.0	14.0	670 DN 20
110.0	19.0	30.0	19.0	670 DN 25
136.0	25.0	39.0	19.0	670 DN 32
146.0	30.0	45.0	19.0	670 DN 40
160.0	40.0	56.0	19.0	670 DN 50
180.0	53.0	72.0	19.0	670 DN 65
196.0	65.0	85.0	24.0	670 DN 80
216.0	87.0	109.0	24.0	670 DN 100
246.0	106.0	134.0	24.0	670 DN 125
280.0	135.0	161.0	34.0	670 DN 150
345.0	185.0	209.0	34.0	670 DN 200
400.0	238.0	262.0	34.0	670 DN 250

Size in mm

Additional dimensions, heat-resistant types, and bespoke designs available on request, see "Materials and Colours" on page 100.

Application Guide

Suitable for Nominal width		DIN 2627/28/29/38/BS 4504							ANSI B 16.5/BS 1560					Order no.	
		PN10-16	PN25-40	PN64	PN100	PN160	PN250	PN320	PN400	Cl. 300	Cl. 400	Cl. 600	Cl. 900		Cl. 1500
10	3/8	●	●	●	●	●	●	●							670 DN 10
15	1/2	●	●	●	●	●	●	●	●	●	●	●	●	●	670 DN 15
20	3/4	●	●	●	●	●	●	●	●	●	●	●	●	●	670 DN 20
25	1	●	●	●	●	●	●	●	●	●	●	●	●	●	670 DN 25
32	1 1/4	●	●	●	●	●	●	●	●	●	●	●	●	●	670 DN 32
40	1 1/2	●	●	●	●	●	●	●	●	●	●	●	●	●	670 DN 40
50	2	●	●	●	●	●	●	●	●	●	●	●	●	●	670 DN 50
65	2 1/2	●	●	●	●	●	●	●	●	●	●	●	●	●	670 DN 65
80	3	●	●	●	●	●	●	●	●	●	●	●	●	●	670 DN 80
100	4	●	●	●	●	●	●	●	●	●	●	●	●	●	670 DN 100
125	5	●	●	●	●	●	●	●	●	●	●	●	●	●	670 DN 125
150	6	●	●	●	●	●	●	●	●	●	●	●	●	●	670 DN 150
200	8	●	●	●	●	●	●	●	●	●	●	●	●	●	670 DN 200
250	10	●	●	●	●	●	●	●	●	●	●	●	●	●	670 DN 250

This application table is a guide only. We will be happy to send you free samples for testing. For apertures and bore holes without thread, please use dimensions B and C. Other dimensions and bespoke designs available on request, see "Materials and Colours" on page 100.



Your KAPSTO® quality benefits:



Standard protection:

Protection for flanges in accordance with DIN EN 12351. Suitable for PN 10 through PN 400 and DN 10 through DN 250 in accordance with DIN 2501 part 1, American National Standard ANSI B 16.5, British Standard BS 4504 and BS 1560.



Multi Functional:

Larger tolerances accommodated by ribs.



Additional information:

Closes the opening and covers sealing face and internal threads. Prevents accidental dislodging. Also suitable for BASF-Werknorm 14-150.

Material:

Polyethylene (PE-LLD/PE-HD)

Colour:

Yellow



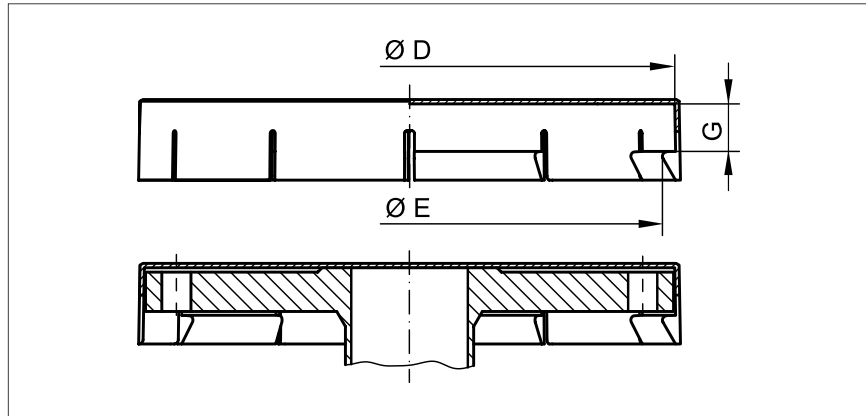
PÖPPELMANN

Contact, product search and sample requests: www.poeppelmann.com

KAPSTO®

Flange Caps

GPN 680



Suitable for Nominal width	Nominal pressure PN	Dimensions			Order no.
		D	E	G	
10	10.16.25.40	90.0	81.0	17.0	680 DN 10
15	10.16.25.40	95.0	86.0	17.0	680 DN 15
20	10.16.25.40	105.0	96.0	19.0	680 DN 20
25	10.16.25.40	115.0	106.0	19.0	680 DN 25
32	10.16.25.40	140.0	131.0	19.0	680 DN 32
40	10.16.25.40	150.0	141.0	19.0	680 DN 40
50	10.16.25.40	165.0	156.0	21.0	680 DN 50
65	10.16.25.40	185.0	176.0	22.0	680 DN 65
80	10.16.25.40	200.0	191.0	24.0	680 DN 80
100	10.16	220.0	211.0	24.0	680 DN 100
125	10.16	250.0	241.0	25.0	680 DN 125
150	10.16	285.0	276.0	25.0	680 DN 150
200	10.16	340.0	331.0	27.0	680 DN 200

Your KAPSTO® quality benefits:



Standard protection:

Protection for flanges in accordance with DIN EN 12351.



Additional information:

Particularly suitable for fittings with solid lining or tapered bore holes. With hook-snaps for firm fit.

Material:

Polyethylene (PE-LLD)

Colour:

Yellow

Size in mm

Additional dimensions, heat-resistant types, and bespoke designs available on request, see "Materials and Colours" on page 100.



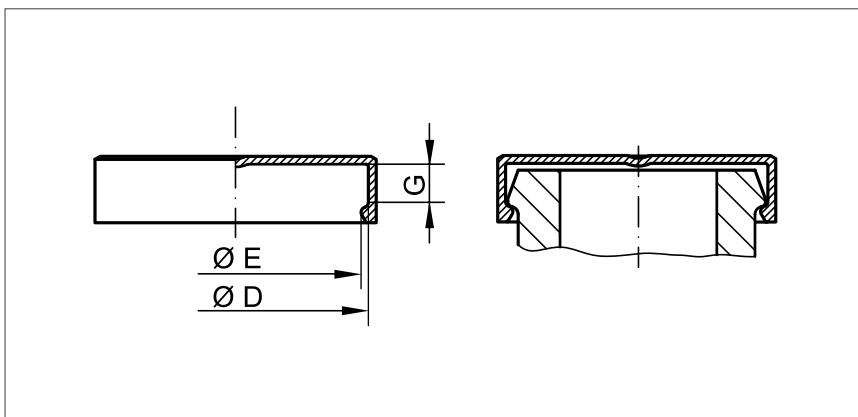
PÖPPELMANN

We will be happy to advise you: +49 4442 982-9100

KAPSTO®

Protective Caps

GPN 690



Dimensions			Order no.
D	E	G	
30.2	29.4	6.9	690 / 3001
31.7	30.9	7.9	690 / 6001
38.1	37.3	6.9	690 / 3002
41.3	40.5	8.9	690 / 6002
44.4	43.6	8.1	690 / 3003
47.6	46.8	9.7	690 / 6003
50.5	49.5	8.1	690 / 3004
54.0	53.2	10.4	690 / 6004
60.3	59.5	8.1	690 / 3005
63.5	62.5	12.7	690 / 6005
71.4	70.6	9.7	690 / 3006
79.4	78.6	12.7	690 / 6006
90.3	88.3	9.0	690 / 0090
106.0	104.0	10.0	690 / 0106
125.0	123.0	11.0	690 / 0125
150.0	148.0	12.0	690 / 0150
213.0	211.0	16.0	690 / 0213

Size in mm

Additional dimensions, heat-resistant types, and bespoke designs available on request, see "Materials and Colours" on page 100.

Guide for the application with SAE flanges

Pressure level 3000 PSI (210 bar) Nominal width		Order no.	Pressure level 6000 PSI (420 bar) Nominal width		Order no.
12	1/2	690 / 3001	12	1/2	690 / 6001
20	3/4	690 / 3002	20	3/4	690 / 6002
25	1	690 / 3003	25	1	690 / 6003
32	1 1/4	690 / 3004	32	1 1/4	690 / 6004
40	1 1/2	690 / 3005	40	1 1/2	690 / 6005
50	2	690 / 3006	50	2	690 / 6006

Products listed in the table opposite were developed specifically for SAE flanges. Pressure levels: 3000 PSI and 6000 PSI, refer to "Materials and Colours", page 100.



Your KAPSTO® quality benefits:



Standard protection:
Protection for SAE flange collars.



Additional information:
Also suitable for pipe ends and hose-fittings. A circumferential rim ensures firm fit and easy handling.

Material:

Polyethylene (PE-LD)

Material from GPN 690/6006:

Polyethylene (PE-LLD)

Colour:

Yellow



PÖPPELMANN

Contact, product search and sample requests: www.poeppelmann.com

KAPSTO®

Materials and Colours

Material Characteristics*

Type of plastic	Designation	Hardness
PE-LD	Polyethylene, Low Density	soft / elastic
PE-HD	Polyethylene, High Density	hard / elastic
PE-LLD	Polyethylene, Linear Low Density	soft / elastic
EVA	Ethylene vinyl acetate	very soft / elastic
PHT	Thermoplastic polyester elastomer	soft / elastic
TPE	Thermoplastic polyolefin elastomer	extremely soft / elastic
SI	Silicone	extremely soft / elastic
PP	Polypropylene	hard / stiff
PA 6	Polyamide 6	hard / tough
PA 6 GF 30	Polyamide 6 glass fibre reinforced	hard
PA 6.6	Polyamide 6.6	hard / tough
PA 6.6 GF 35	Polyamide 6.6 glass fibre reinforced	very hard

KAPSTO® plastic protection elements are primarily made from Polyethylene (PE-LD, PE-HD) and polypropylene (PP). These are hydrocarbon compounds. They are recyclable, ground water neutral, and suitable for thermal applications. For details, please see the product descriptions in this catalogue. For special mechanical, thermal, or chemical loads, other materials are available. We will be happy to advise you.

Chemical Resistance*

Type of plastic	● Resistant ■ Conditionally resistant							
	Weak acids	Weak alkalis	Alcohol	Solvents	Fuels	Mineral oils	Grease/oils	Water, hot
PE-LD	●	●	●	■	■	■	●	●
PE-HD	●	●	●	■	■	●	●	●
PE-LLD	●	●	●	■	■	■	●	●
EVA	■	■	●	■	■	■	●	●
PHT	■	■	●	■	●	●	●	■
TPE	●	●	●	■	■	■	■	●
SI	■	■	●	■	■	■	■	■
PP	●	●	●	■	■	●	●	●
PA 6	■	●	●	●	●	●	●	■
PA 6 GF 30	■	●	●	●	●	●	●	■
PA 6.6	●	●	●	●	●	●	●	■
PA 6.6 GF 35	■	●	●	●	●	●	●	■



Materials and Colours

Special Colours*

Colour	Note	Designation
Sulphur Yellow	signal colour	RAL 1016
Pure orange	signal colour	RAL 2004
Fire red	signal colour	RAL 3000
Light blue		RAL 5012
Emerald green	signal colour	RAL 6001
Squirrel grey		RAL 7000
Blue grey		RAL 7031
Fawn brown		RAL 8007
Pure white		RAL 9010
Jet black		RAL 9005

KAPSTO® plastic protective parts are manufactured in standard colours which are listed in the respective product descriptions in this catalogue. Other colours are available at a surcharge. There may be colour deviations for technical reasons. Unavoidable deviations may be attributable to colour pigments or to the plastic raw materials. Contact us to ask about colours that are not listed.

Physical Characteristics*

Type of plastic	Temperature resistance			Light transmittance			Dimensional tolerance	
	Short-time	Continuous	Continuous	Clear	Transparent	Opaque	DIN 16901	DIN ISO 3302-1
PE-LD	80 °C	60 °C	-40 °C	●	●	●	●	
PE-HD	100 °C	80 °C	-40 °C	●	●	●	●	
PE-LLD	90 °C	70 °C	-40 °C	●	●	●	●	
EVA	60 °C	40 °C	-40 °C		●	●	●	
PHT	180 °C	120 °C	-40 °C			●	●	
TPE	150 °C	120 °C	-50 °C			●		●
SI	250 °C	170 °C	-50 °C		●			●
PP	130 °C	100 °C	-20 °C			●	●	
PA 6	150 °C	90 °C	-20 °C			●	●	
PA 6 GF 30	200 °C	110 °C	-20 °C			●	●	
PA 6.6	170 °C	90 °C	-20 °C			●	●	
PA 6.6 GF 35	220 °C	110 °C	-20 °C			●	●	

* Note:

KAPSTO® plastic protective caps and plugs protect your component from damage and soiling during transport, storage, and production. The illustrated applications are examples for intended use.

The application of the KAPSTO® protective caps and plugs is in the sole discretion of the customer. **We recommend that you carry out tests to determine suitability.** We will gladly supply free samples.

The material information comprised in this catalogue are based on generally available information provided by the raw material suppliers.

This information does not account for the different effects that may occur in daily use. It must therefore not be interpreted as a guarantee of product properties and longevity.



Non Standard range and tailored solutions



Individual. Like our service.

From free sample despatch to **personal advice for your specific application:** customer orientation is always the focus of our service team. Constant exchange of experience and close cooperation are a matter of course for us.

Discover what's behind it! Our unique **Product and service benefits:**

- ⊕ Standard product range with more than 3,000 versions – available from stock.
- ⊕ No minimum order quantities, no standard packaging sizes.
- ⊕ Free samples.
- ⊕ Development and production of bespoke solutions on request.
- ⊕ Application advice, catalogue requests and orders: **+49 4442 982-9100.**



PÖPPELMANN

We will be happy to advise you: **+49 4442 982-9100**

KAPSTO®

Non Standard range

Even larger choice:

The KAPSTO® Non standard range.

The extensive KAPSTO® standard range is available from stock.

In addition, our KAPSTO® non standard range offers approx. 2,000 additional designs that can be manufactured with existing tools individually and to order – fast and cost-efficient.

We will be happy to advise you: **+49 4442 982-9100.**

Some examples of articles from the KAPSTO® non standard range:



Filling Closures



Dual Plugs



Combination Plugs



Sleeves and Bushings without Collar



Covers



Cable Ties



Plugs with Tabs



Dual Plugs



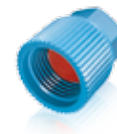
Sleeves and Bushings without Collar



Valve Covers



Transit Clamps



Filling Closures



End Screws for PG Thread



Protective Caps with Ribs



Ribbed Oval Plugs



Caps for Flared Pipe



Conical Plugs with Grip Tap



Protective Plugs



Screw Caps



Tamper-proof Closures



Double-walled Caps



Fastenings Clamps



Push-on Screw Caps



Guard rings



PÖPPELMANN

Contact, product search and sample requests: www.poeppelmann.com

KAPSTO®

Tailored solutions

Fast, target-oriented and safe: Pöppelmann KAPSTO® as your development partner.

On request, we will develop and manufacture individually tailored solutions. This costs less than you think.

Usually, there is no need to construct new tools from scratch. In most cases, it is sufficient to make special mould inserts for existing tools.

We will be happy to advise you: **+49 4442 982-9100.**

Examples for special tailored solutions:



Two-piece cover for fine chromatisation



Cover for coaxial contacts



Grip caps for soldered bushes



Line end cap with absorption foam for collecting residual fuel



Double plugs and plugs with ring shackle for plug-in connectors



Transport lock for bearing ring seals



PÖPPELMANN

We will be happy to advise you: **+49 4442 982-9100**

KAPSTO®

Tailored solutions

Secure your competitive advantage: **benefit from the Pöppelmann KAPSTO® factors for success.**

Competent, customer-oriented project management.



Our carefree package for you: many of the tasks involved in the project as a whole are taken on by Pöppelmann KAPSTO®. This saves you as our customer much time and additional costs (e.g. external developers and toolmakers).

Modern, fast, CAD-controlled developer tools and rapid prototyping.



Virtual product development and optimisation as an efficient way to a serial tool – e.g. by application of 3D simulations or CATIA V5 at more than 40 CAD workplaces. Furthermore, application of rapid prototyping (stereo lithography, selective laser sintering) for fast and low-priced manufacture of samples.

Highest precision in our own tool shop.



In the complex world of the injecting moulds, the developments take shape. Our own tool shop ensures **short reaction times** and **high flexibility in the construction of new and the modification and repair of existing tools.**

Efficient serial production.



The best preconditions for a successful cooperation. The Pöppelmann KAPSTO® production is characterised by **continuous quality, high-capacity production, and exemplary cleanliness, including our proven quality management** certified according to DIN EN ISO 9001:2008. Our environmental management system is inspected in accordance with to EMAS II and DIN EN ISO 14001:2005.



PÖPPELMANN

Contact, product search and sample requests: www.poeppelmann.com

KAPSTO®

Service benefits and competence areas

Discover what's behind it:
An overview of your service advantages and the company.





Ready to meet all tasks: The wide range of qualifications of our more than 1,600 Pöppelmann employees enable us to find individual solutions for every industry.

Service benefits

Discover the difference: Our unique product and service benefits.

- ⊕ **Standard range with more than 3,000 versions – for immediate delivery.**



With Pöppelmann KAPSTO®, you can rely on a fast despatch of your order.



PÖPPELMANN

We will be happy to advise you: +49 4442 982-9100

KAPSTO®

Service benefits

- ⊕ **No minimum order quantities not standard packagings units.**



Our sales team will be happy to meet all your requirements. This applies to every single delivery!

- ⊕ **Free Samples.**



Call our service team at +49 4442 982-9100 to request free samples for testing. We would like to convince you of our proficiency!

- ⊕ **Development and production of tailored solutions on request.**



Our application engineers will give you competent advice on tailored solutions. We keep quality up and costs down.

- ⊕ **Application advice, catalogue requests and orders: +49 4442 982-9100.**



Friendliness is part of the deal: Our employees will be happy to help you and will welcome you at Pöppelmann KAPSTO®!

The company

Discover a successful family business:

Pöppelmann – a strong partner.

Since 1949, Pöppelmann has become one of the leading manufacturers in the plastic processing industry with its 5 production sites, 450 injection moulding machines, Thermo-forming machines and extruders.

Quality "made by Pöppelmann" is held in high esteem in more than 70 countries. And that in (almost) all industries: We cooperate with numerous companies from mechanical engineering and manufacturing, the automotive, electrical and solar sector, surface engineering, food industry, fittings manufacturers, and the chemical and pharmaceutical industries. Furthermore, we supply plant pots and growing systems for commercial horticulture.

Germany, site I:
Pöppelmann GmbH & Co. KG, Kunststoffwerk-Werkzeugbau, Lohne



PÖPPELMANN

We will be happy to advise you: +49 4442 982-9100

KAPSTO®



Germany, site II:
Pöppelmann Kunststoff-Technik
GmbH & Co. KG, Lohne



Germany, site III:
Pöppelmann GmbH & Co. KG, Lohne



France:
Plastiques Pöppelmann France S.A.S., Rixheim



USA:
Pöppelmann Plastics USA LLC, Claremont, NC



PÖPPELMANN

Contact, product search and sample requests: www.poeppelmann.com

KAPSTO®

Business unit Pöppelmann K-TECH®

Precise technical plastic moulded parts:

Pöppelmann K-TECH® – for the highest demands.

From development to serial production: Sectors of renewable energies, mechanical engineering and manufacturing, as well as automotive and electrical industries, Pöppelmann K-TECH® manufactures precision technical plastic moulded parts. With us, special quality requirements and individual new developments are the rule, not the exception.

Our manufacturing is certified in accordance with ISO/TS 16949:2002 and DIN ISO 9001:2008.



Renewable energies.

In an industry as young as the solar industry, there is only one constant: continuous progress. Pöppelmann K-TECH® is the safe partner when it comes to the use of new materials, the development of new functionalities, or the modification of installation technologies.



PÖPPELMANN

We will be happy to advise you: +49 4442 982-9100

K-TECH®



Mobility.

If for example, the automotive sector is developing advanced solutions for the future, a close cooperation with Pöppelmann K-TECH® will be advantageous.



Mechanical engineering and manufacturing.

In today's globalised world, economic efficiency and functionality are becoming more and more important for companies intending to remain competitive. In this respect, the innovative working methods of Pöppelmann K-TECH® will support you efficiently and right on target.



PÖPPELMANN

Contact, product search and sample requests: www.poeppelmann.com

K-TECH®

Business unit Pöppelmann FAMAC®

Functional components and modern packaging:

Pöppelmann FAMAC® – including high-tech serial production.

Pöppelmann FAMAC® develops and produces technical functional parts for the food, pharmaceutical, packaging and cosmetics industries – also under cleanroom conditions if required. The introduction and implementation of a quality management in accordance with DIN EN ISO 9001:2008 and the hygiene management system HACCP are certified by an independent institute.



Plastic solutions for the food industry



Products for the cosmetics industry



Individual solutions for the pharmaceutical industry



Examples of tailored solutions for medical engineering



PÖPPELMANN

We will be happy to advise you: +49 4442 982-9100

FAMAC®

Business unit Pöppelmann TEKU®

Innovation for growing success:

Pöppelmann TEKU® – simply more versatile.

For professional horticulture, the wholesale trade and for the end user, TEKU® produces plant pots for almost all cultures and growing processes. Plant pots, trays, pallets – make your selection from more than 2,000 choices. A reliable and time-proven quality management system ensures consistent quality.



A wide selection of plant pots and growing systems for commercial horticulture



An attractive product range for the end user



Even at the height of the season, the Pöppelmann TEKU® customers can rely on our delivery capacity.



PÖPPELMANN

Contact, product search and sample requests: www.poeppelmann.com

TEKU®

Deutschland

Pöppelmann GmbH & Co. KG
Kunststoffwerk-Werkzeugbau
Bakumer Straße 73
49393 Lohne
Telefon 04442 982-9100
Telefax 04442 982-9150
kapsto@poeppepmann.com

Česká republika/Slovensko

Pöppelmann Plasty s.r.o.
Kaštanová 639/143
617 00 Brno, Česká republika
Tel. +420 543 250-219
Fax +420 543 250-266
kapsto-cz@poeppepmann.com

www.poeppepmann.com

Pöppelmann Kunststoff-Technik
GmbH & Co. KG
Daimlerstraße 9
49393 Lohne
Telefon 04442 982-620
Telefax 04442 982-668
k-tech@poeppepmann.com

España

Pöppelmann Ibérica S.R.L.U.
Plaça Vicenç Casanovas, 11-15
08340 Vilassar de Mar (Barcelona)
Tel. 93 754 09 20
Fax 93 754 09 21
kapsto-es@poeppepmann.com

France

Plastiques Pöppelmann France S.A.S.
3 rue Robert Schuman
B.P. 87
68172 Rixheim Cedex
Tél. 03 89 63 33 10
Fax 03 89 54 05 97
kapsto-fr@poeppepmann.com

Skandinavien

Pöppelmann Plastik Skandinavien ApS
Magnoliavej 10,1. tv.
5250 Odense SV, Danmark
Tlf. 63 10 21 09
Fax 63 10 21 01
kapsto-skan@poeppepmann.com

USA

Pöppelmann Plastics USA LLC
2180 Heart Drive · P.O. Box 459
Claremont, NC 28610
Phone 828-466-9500
Toll free 866-886-1556
Fax 828-466-9529
kapsto@poppelmannUSA.com

United Kingdom

Pöppelmann Plastics UK Ltd.
Unity House, Rotterdam Road
Hull HU7 0XD
Phone 01482 373940
Fax 01482 373949
kapsto-uk@poeppepmann.com