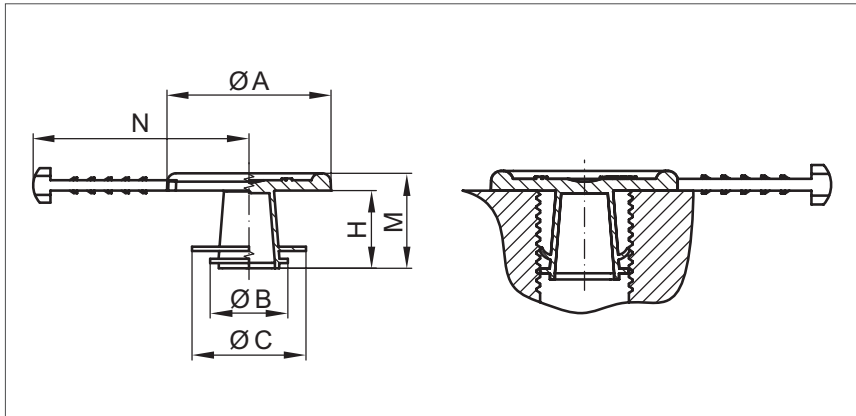


Grip Plugs NEW GPN 308



Dimensions						Order no.
A	B	C	H	M	N	
19,0	9,0	13,2	9,0	11,0	25,0	308 SL 132
22,7	12,0	16,5	7,0	9,2	27,0	308 SL 165
30,0	15,5	19,5	8,0	10,4	31,0	308 SL 195
34,3	19,3	23,8	9,5	12,1	32,0	308 SL 238
40,0	22,5	27,6	9,5	12,2	35,0	308 SL 276
45,0	29,9	34,5	10,0	12,7	38,0	308 SL 345

Size in mm

Additional dimensions, heat-resistant types and bespoke designs available on request.



Application Guide

Metric threads	Pipe thread	Unified-Thread pursuant to ASME / ANSI B 1.1 UN / UNC / UNF / UNEF	Order no.
M 10	1/8	7/16	308 SL 132
M 12			308 SL 132
M 14	1/4	1/2	308 SL 165
M 16		5/8	308 SL 165
		9/16	308 SL 165
M 18	3/8	3/4	308 SL 195
M 20			308 SL 195
M 22	1/2	7/8	308 SL 238
M 24	5/8		308 SL 238
M 26	3/4	1 1/16	308 SL 276
M 28		1 1/8	308 SL 276
M 30	1	1 1/4	308 SL 345
M 36		1 3/8	308 SL 345

This application table is a guide only. We will be happy to send you free samples for testing. For apertures and bore holes without thread, please use dimensions B and C. Other dimensions and bespoke designs available on request.

Your KAPSTO® quality benefits:



Time-saving: Newly designed removal tab for fast handling.
Protected tab design



Multi Functional: Suitable for different thread sizes.
Flexible ribs for accommodating large tolerances.



Additional information:
Protection for bore holes and internal threads.

Material:

Polyethylene (PE-LD)

Colour:

yellow