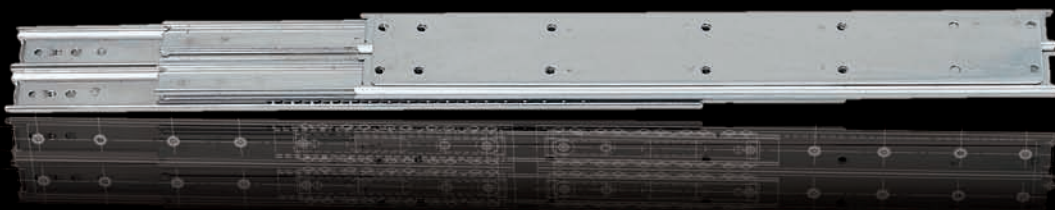


DRAWER SLIDES



RAIL WITH GUIDE BLOCK
LIGHT TO HEAVY DUTY
FULL EXTENSION
3/4 EXTENSION
LOW PROFILE
ALUMINUM

STAINLESS STEEL FULL EXTENSION SLIDES

- Hold-In Detent
- Hold-Out Detent
- Positive Stop
- Positive Lock
- Positive Catch
- Front Disconnect
- Friction Brake Stop
- Quick Disconnect
- Others
- Non-Handed

| Item No. | Load Rating (pair) | Page | Side View | Features | | | | | | | | | | | | |
|----------|-------------------------------|------|-----------|----------|--|---|--|--|---|---|---|--|--|--|---|---|
| 273SL | 12 - 18 kg (26 - 39 lbs) | 130 | | | | ● | | | | | ● | | | | | ● |
| ESR-2031 | 13 - 17 kg (28 - 37 lbs) | 144 | | | | ● | | | | | | | | | | ● |
| ESR-3813 | 29 - 45 kg (64 - 98 lbs) | 129 | | ● | | ● | | | | ● | | | | | | ● |
| ESR-7 | 36 - 64 kg (79 - 139 lbs) | 132 | | | | | | | ● | | ● | | | | | ● |
| ESR-4513 | 40 - 52 kg (87 - 115 lbs) | 128 | | ● | | ● | | | | ● | | | | | | ● |
| ESR-3 | 43 - 65 kg (94 - 143 lbs) | 133 | | | | | | | | ● | | | | | ● | |
| ESR-6 | 45 - 60 kg (99 - 132 lbs) | 131 | | | | | | | | | ● | | | | | ● |
| TSS3 | 50 - 95 kg (110 - 209 lbs) | 136 | | | | | | | | | ● | | | | | ● |

Hold-In Detent
 Hold-Out Detent
 Positive Stop
 Positive Lock
 Positive Catch
 Front Disconnect
 Friction Brake Stop
 Quick Disconnect
 Others
 Non-Handed

| Item No. | Load Rating (pair) | Page | Side View | Features | | | | | | | | | | |
|----------|---------------------------------|------|-----------|----------|--|---|--|--|--|--|--|--|--|---|
| 5302 | 64 - 130 kg (140 - 285 lbs) | 134 | | ● | | ● | | | | | | | | ● |
| ESR-10 | 182 - 272 kg (400 - 599 lbs) | 135 | | | | ● | | | | | | | | ● |

STAINLESS STEEL 3/4 EXTENSION SLIDES

| Item No. | Load Rating (pair) | Page | Side View | Features | | | | | | | | | | |
|----------|---------------------------------|------|-----------|----------|--|---|--|--|---|--|---|--|--|-------------|
| ESR-2 | 5 - 8 kg/pc (11 - 18 lbs/pc) | 142 | | | | | | | ● | | | | | Under Mount |
| ESR-2021 | 11 - 16 kg (24 - 35 lbs) | 144 | | | | ● | | | | | | | | ● |
| 272SL | 14 - 18 kg (30 - 39 lbs) | 137 | | | | ● | | | ● | | | | | ● |
| ESR-1 | 25 - 49 kg (55 - 107 lbs) | 138 | | | | | | | ● | | ● | | | ● |
| ESR-13 | 25 - 49 kg (55 - 107 lbs) | 139 | | | | ● | | | ● | | | | | ● |

Hold-In Detent
Hold-Out Detent
Positive Stop
Positive Lock
Positive Catch
Front Disconnect
Friction Brake Stop
Quick Disconnect
Others
Non-Handed

| Item No. | Load Rating (pair) | Page | Side View | Features | | | | | | | | | | | | | | | | |
|----------|--------------------------------|------|-----------|----------|--|--|--|--|--|--|--|--|--|--|--|--|--|--|--|--|
| ESR-8 | 25 - 49 kg (55 - 107 lbs) | 140 | | | | | | | | | | | | | | | | | | |
| ESR-5 | 80 - 114 kg (176 - 251 lbs) | 141 | | | | | | | | | | | | | | | | | | |


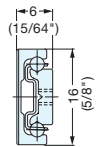

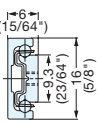

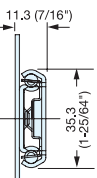

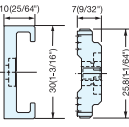

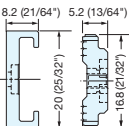
ALUMINUM FULL EXTENSION SLIDES

| Item No. | Load Rating (pair) | Page | Side View | Features | | | | | | | | | | | | | | | | |
|----------|-------------------------------|------|-----------|----------|--|--|--|--|--|--|--|--|--|--|--|--|--|--|--|--|
| AR3-16 | 2 - 4 kg (4.4 - 8.8 lbs) | 145 | | | | | | | | | | | | | | | | | | |
| AR3 | 12 - 14.5 kg (27 - 32 lbs) | 146 | | | | | | | | | | | | | | | | | | |
| AR3-K | 12 - 14.5 kg (27 - 32 lbs) | 147 | | | | | | | | | | | | | | | | | | |

ALUMINUM 3/4 EXTENSION SLIDES

| Item No. | Load Rating (pair) | Page | Side View | Features | | | | | | | | | | | | | | | | |
|----------|-----------------------------|------|-----------|----------|--|--|--|--|--|--|--|--|--|--|--|--|--|--|--|--|
| AR2 | 13 - 18 kg (30 - 40 lbs) | 146 | | | | | | | | | | | | | | | | | | |
| AR2-K | 13 - 18 kg (30 - 40 lbs) | 147 | | | | | | | | | | | | | | | | | | |

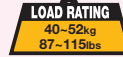
Hold-In Detent
 Hold-Out Detent
 Positive Stop
 Positive Lock
 Positive Catch
 Front Disconnect
 Friction Brake Stop
 Quick Disconnect
 Others
 Non-Handed

| LINEAR SLIDES | | | | | | | | | | | | | | | | | | | | |
|---|--|------|---|----------|--|--|--|--|--|--|--|--|--|--|--|--|--|--|--|------------------|
| Item No. | Load Rating (pair) | Page | Side View | Features | | | | | | | | | | | | | | | | |
| ARL2-16  | 0.8 - 5 kg (1.7 - 11 lbs) | 145 |  | | | | | | | | | | | | | | | | | |
| ARW2-16  | 1.1 - 7 kg (2.4 - 15.4 lbs) | 145 |  | | | | | | | | | | | | | | | | | 2-Way |
| ESR-9  | 5 kg (11 lbs) | 143 |  | | | | | | | | | | | | | | | | | Mounting Plate ● |
| MRS30, MR-50C  | Horizontal Static Load: 26 kg/pc (57.2 lbs/pc) Vertical Static Load: 15 kg/pc (33 lbs/pc) | 149 |  | | | | | | | | | | | | | | | | | |
| MRS20, MR-20CS  | Horizontal Static Load: 31 kg/pc (67.5 lbs/pc) Vertical Static Load: 18 kg/pc (39.2 lbs/pc) | 148 |  | | | | | | | | | | | | | | | | | |

Drawer Slide Terms

- **Slide Length**The longest dimension of a fully closed slide. This dimension cannot exceed the depth of the cabinet into which it is installed.
- **Travel**The distance that a slide moves from the closed to a fully open position.
- **¾ Extension**The slide extends approximately ¾ of its length from the front edge of the cabinet front.
This is the normal travel of 2 member slides.
- **Full Extension**The full withdrawal of a drawer from the case .This is the normal travel of 3 member slides.
- **Positive Stop**Drawer stops at extended/open position, but does not lock or detent.
- **Positive Lock**Drawer is firmly held in the extended/out position. Drawer is released by depressing a lever and pushing the drawer inward.
The drawer can also be disconnected by depressing the lever and pulling the drawer outward.
- **Friction Brake Stop** ...Drawer stops at extended/open position by the resistance of the ball retainer.
Usually achieved by deforming the slide races to achieve an interference fit.
- **Hold-in Detent**.....Drawer is firmly held in the fully closed position. Drawer is released by pulling the drawer outward.
This feature is also known as a Positive Catch.
- **Front Disconnect**Drawer member can be disconnected by actuating the disconnect lever.
- **Quick Disconnect**A drawer bracket attaches to the drawer and engages the drawer member of the slide.
The drawer can be disconnected by actuating the drawer rail lock, and pulling it outward.

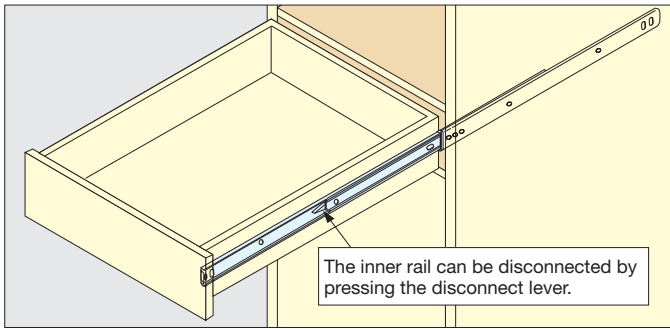
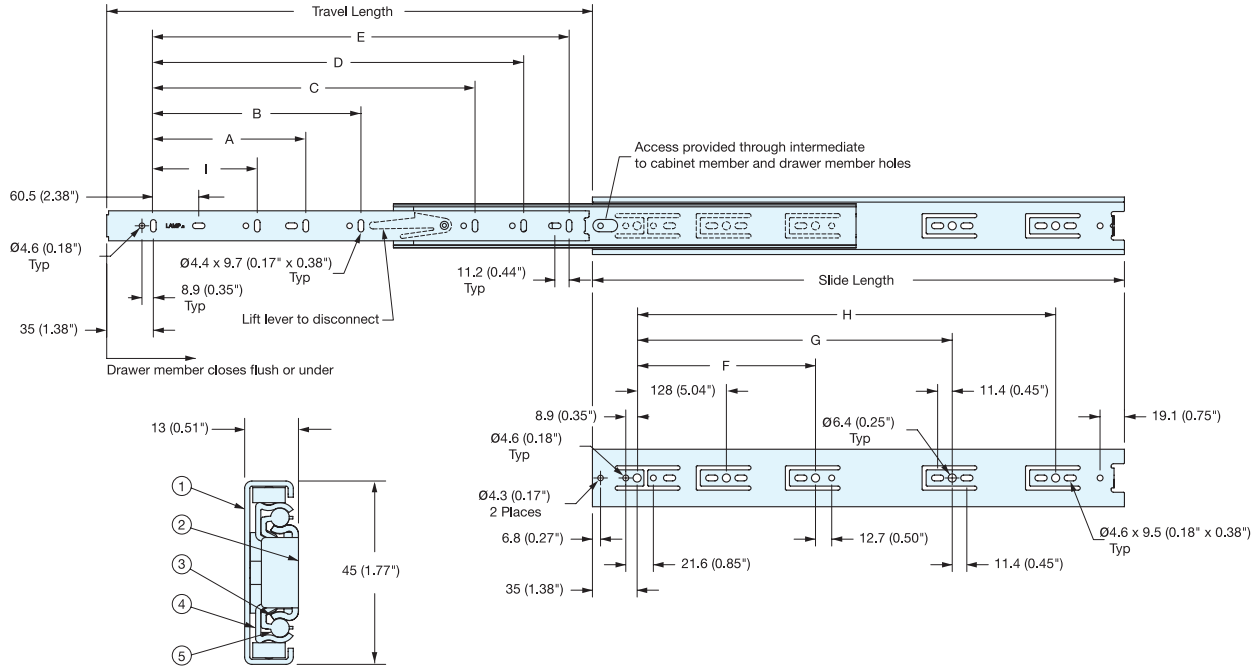
FULL EXTENSION SLIDE



ESR-4513

DRAWER SLIDES

STAINLESS STEEL SLIDES



Installation

- Full extension
- Front disconnect
- Positive stop
- Hold-in detent
- Non-handed
- * Sold in pairs.
- * Mount with M4 or #8 Binding, Pan, or Truss head screws.

25.4mm=1"

| No. | Part | Material |
|-----|---------------------|---------------------|
| ① | Outer Rail | 304 Stainless Steel |
| ② | Inner Rail | |
| ③ | Retainer | |
| ④ | Intermediate Member | |
| ⑤ | Balls | |

| Item No. | Slide Length | Travel Length | A | B | C | D | E | F | G | H | I | Load Rating (kg/pair) | Weight (g) | Box (Pair) |
|-------------|------------------|---------------|---|---|---|---|-----|--------------|---|---|---|-----------------------|----------------|------------|
| ESR-4513-10 | 250 (9-27/32") | 243 (9-9/16") | - | - | - | - | 192 | - | - | - | - | 52 (115 lbs) | 743 (1.64 lbs) | 10 |
| ESR-4513-12 | 300 (11-13/16") | 305 (12") | | | | | 242 | 50 (111 lbs) | | | | 932 (2.05 lbs) | | |
| ESR-4513-14 | 350 (13-25/32") | 355 (14") | | | | | 292 | 49 (108 lbs) | | | | 1070 (2.36 lbs) | | |
| ESR-4513-16 | 400 (15-3/4") | 406 (16") | | | | | 342 | 47 (104 lbs) | | | | 1223 (2.70 lbs) | | |
| ESR-4513-18 | 450 (17-23/32") | 457 (18") | | | | | 392 | 46 (100 lbs) | | | | 1376 (3.03 lbs) | | |
| ESR-4513-20 | 500 (19-11/16") | 508 (20") | | | | | 320 | 44 (97 lbs) | | | | 1530 (3.37 lbs) | | |
| ESR-4513-22 | 550 (21-21/32") | 559 (22") | | | | | 442 | 43 (95 lbs) | | | | 1682 (3.71 lbs) | | |
| ESR-4513-24 | 600 (23-5/8") | 610 (24") | | | | | 416 | 42 (92 lbs) | | | | 1835 (4.05 lbs) | | |
| ESR-4513-26 | 650 (25-19/32") | 660 (26") | | | | | 416 | 41 (90 lbs) | | | | 1988 (4.38 lbs) | | |
| ESR-4513-28 | 700 (27-9/16") | 711 (28") | | | | | 544 | 40 (87 lbs) | | | | 2141 (4.72 lbs) | | |

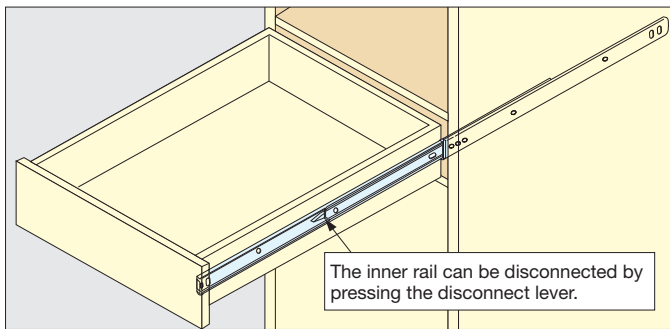
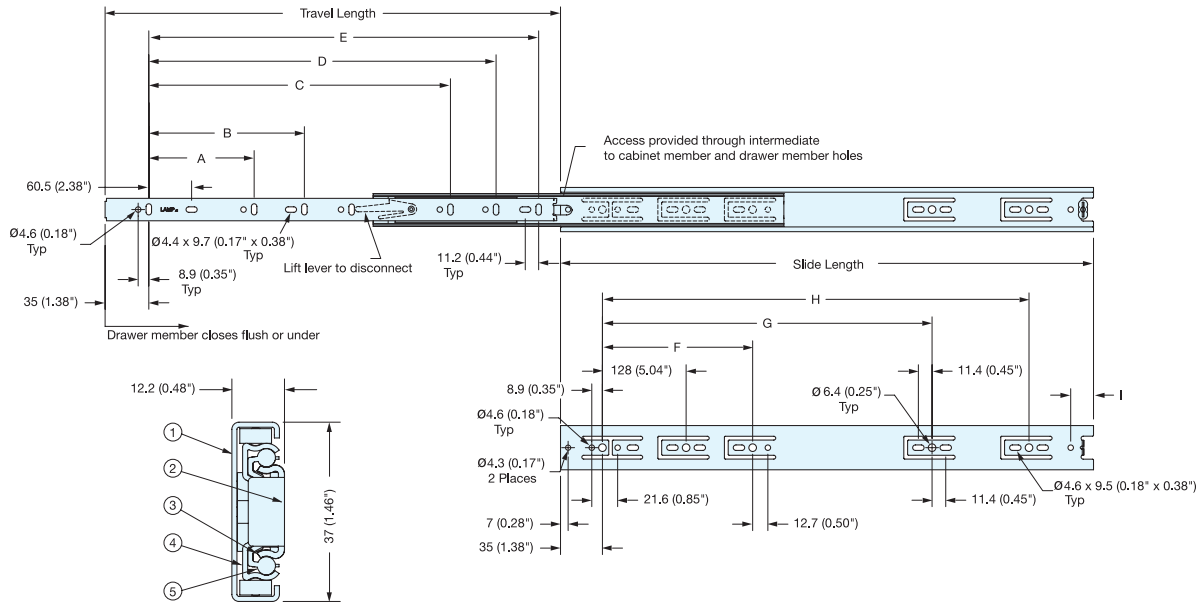
FULL EXTENSION SLIDE



ESR-3813

DRAWER SLIDES

STAINLESS STEEL SLIDES



Installation

- Full extension
- Front disconnect
- Positive stop
- Hold-in detent
- Non-handed
- * Sold in pairs.
- * Mount with M4 or #8 Binding, Pan, or Truss head screws.

25.4mm=1"

| No. | Part | Material |
|-----|---------------------|---------------------|
| ① | Outer Rail | 304 Stainless Steel |
| ② | Inner Rail | |
| ③ | Retainer | |
| ④ | Intermediate Member | |
| ⑤ | Balls | |

| Item No. | Slide Length | Travel Length | A | B | C | D | E | F | G | H | I | Load Rating (kg/pair) | Weight (g) | Box (Pair) |
|-------------|-------------------|-----------------|-----|-----|-----|-----|-----|-----|-----|-----|------|-----------------------|-----------------|------------|
| ESR-3813-8 | 200 (7-7/8") | 200 (7-7/8") | - | - | - | - | 142 | - | - | - | - | 45 (98 lbs) | 400 (0.88 lbs) | 10 |
| ESR-3813-10 | 250 (9-27/32") | 243 (9-9/16") | - | - | - | - | 192 | - | - | - | - | 42 (92 lbs) | 530 (1.19 lbs) | |
| ESR-3813-12 | 300 (11-13/16") | 305 (12") | - | - | - | - | 242 | - | - | - | - | 40 (88 lbs) | 637 (1.40 lbs) | |
| ESR-3813-14 | 350 (13-25/32") | 355 (14") | - | - | - | - | 292 | - | - | - | - | 38 (84 lbs) | 726 (1.60 lbs) | |
| ESR-3813-16 | 400 (15-3/4") | 406 (16") | - | - | - | - | 342 | - | 320 | - | - | 36 (79 lbs) | 816 (1.80 lbs) | |
| ESR-3813-18 | 450 (17-23/32") | 457 (18") | 128 | - | - | - | 392 | 224 | 352 | - | 19.1 | 34 (75 lbs) | 910 (2.00 lbs) | |
| ESR-3813-20 | 500 (19-11/16") | 508 (20") | - | - | 320 | - | 442 | - | 416 | - | - | 33 (73 lbs) | 1000 (2.20 lbs) | |
| ESR-3813-22 | 550 (21-21/32") | 559 (22") | - | - | - | 416 | 492 | - | - | 448 | - | 31 (68 lbs) | 1090 (2.40 lbs) | |
| ESR-3813-24 | 600 (23-5/8") | 610 (24") | - | 224 | 416 | - | 542 | - | 352 | 480 | - | 29 (64 lbs) | 1180 (2.60 lbs) | |

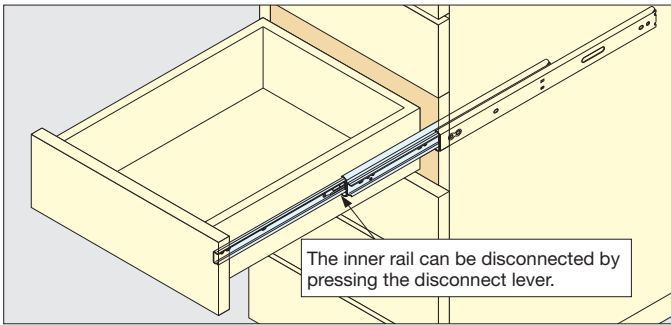
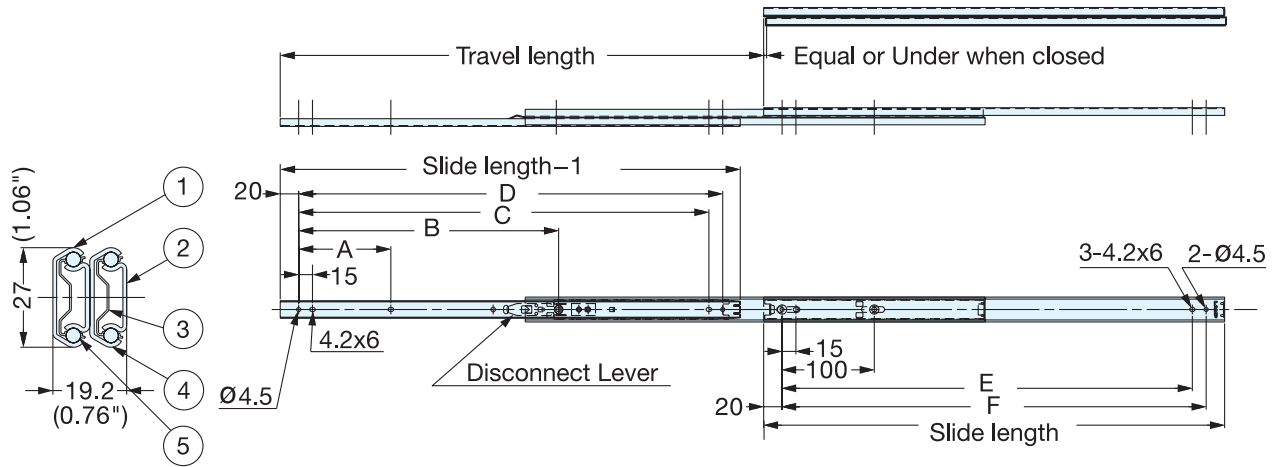
FULL EXTENSION SLIDE



273SL

DRAWER SLIDES

STAINLESS STEEL SLIDES



Installation

- Full extension
- Front disconnect
- Positive stop
- Non-handed
- * Mount with M4 or #8 Binding, Pan, or Truss head screws.

25.4mm=1"

| No. | Part | Material |
|-----|---------------------|----------------------|
| ① | Outer Rail | 304 Stainless Steel |
| ② | Inner Rail | |
| ③ | Retainer | |
| ④ | Intermediate Member | |
| ⑤ | Balls | 420 Stainless Steel* |

| Item No. | Slide Length | Travel Length | A | B | C | D | E | F | Load Rating (kg/pair) | Weight (g) | Box (pcs) |
|-----------|------------------|------------------|-----|-------|-----|-----|-----|-----|-----------------------|------------|-----------|
| 273SL-200 | 200 (7-7/8") | 221 (8-45/64") | - | 135 | - | - | 145 | 160 | 18 (39 lbs) | - | 10 |
| 273SL-250 | 250 (8-27/32") | 280 (11-1/32") | - | 143.5 | 195 | 210 | 195 | 210 | 17 (37 lbs) | - | |
| 273SL-300 | 300 (11-13/16") | 327 (12-7/8") | 100 | 188 | 245 | 260 | 245 | 260 | 16 (35 lbs) | - | |
| 273SL-350 | 350 (13-25/32") | 376 (14-13/16") | | 211.5 | 295 | 310 | 295 | 310 | 15 (33 lbs) | - | |
| 273SL-400 | 400 (15-3/4") | 426 (16-25/32") | | 236 | 345 | 360 | 345 | 360 | 14 (30 lbs) | - | |
| 273SL-450 | 450 (17-23/32") | 478 (18-53/64") | | 261.5 | 395 | 410 | 395 | 410 | 13 (28 lbs) | - | |
| 273SL-500 | 500 (19-11/16") | 524 (20-5/8") | | 282 | 445 | 460 | 445 | 460 | 12 (26 lbs) | - | |

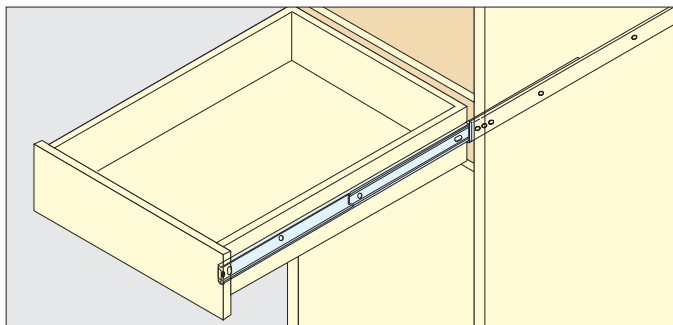
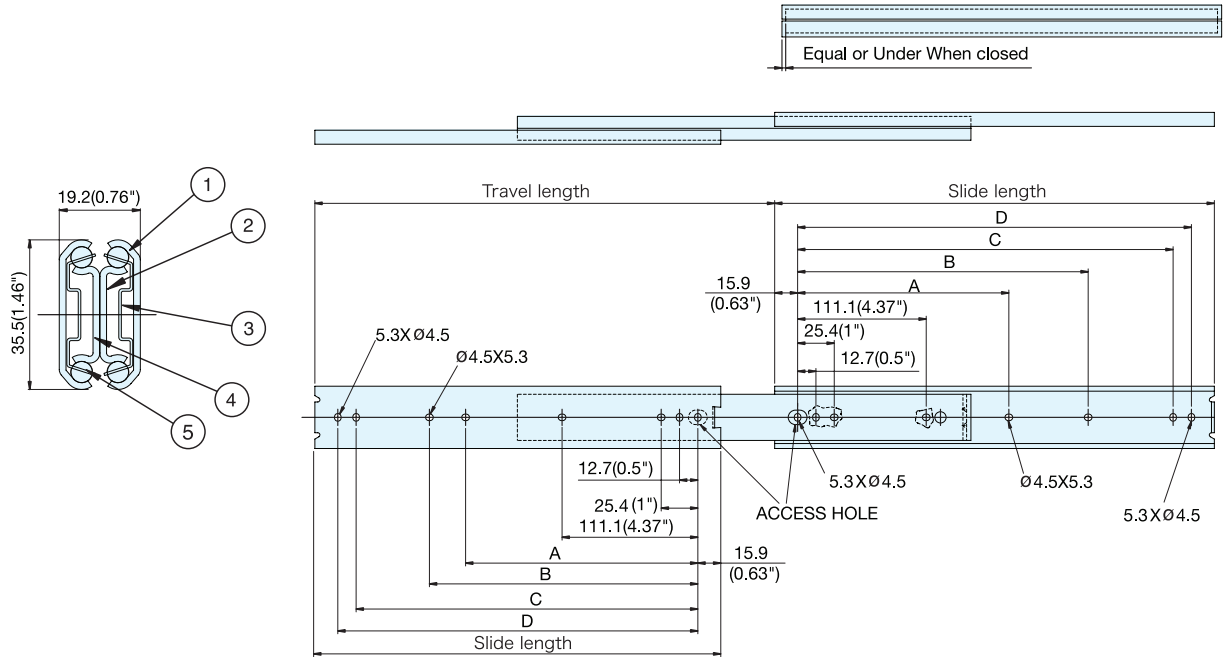
FULL EXTENSION SLIDE

LOAD RATING
45-60kg
99-132lbs

NO SCREW

STAINLESS 304 STEEL

ESR-6



Installation

- Full extension
- Positive stop
- Non-handed
- * Mount with M4 or #8 Binding, Pan, or Truss head screws.

25.4mm=1"

| No. | Part | Material |
|-----|---------------------|---------------------|
| ① | Outer Rail | 304 Stainless Steel |
| ② | Inner Rail | |
| ③ | Retainer | |
| ④ | Intermediate Member | |
| ⑤ | Balls | |

| Item No. | Slide Length | Travel Length | A | B | C | D | # of Holes Outer Rail | Load Rating (kg/pair) | Weight (g) | Box (pcs) |
|----------|--------------|-----------------|-------|-------|-------|-------|--------------------------|--------------------------|---------------|--------------|
| | | | | | | | | | | |
| ESR-6-14 | 355.6 (14") | 377 (14-27/32") | - | 200 | 311.1 | 323.8 | 7 | 59 (130 lbs) | 710 | |
| ESR-6-16 | 406.4 (16") | 428 (16-27/32") | - | 250.8 | 361.9 | 374.6 | 7 | 57 (126 lbs) | 810 | |
| ESR-6-18 | 457.2 (18") | 479 (18-55/64") | 212.7 | 301.6 | 412.7 | 425.4 | 8 | 56 (123 lbs) | 920 | |
| ESR-6-20 | 508 (20") | 529 (20-53/64") | 238.1 | 352.4 | 463.5 | 476.2 | | 53 (117 lbs) | 980 | |
| ESR-6-22 | 558.8 (22") | 580 (22-27/32") | 263.5 | 403.2 | 514.3 | 527 | | 51 (112 lbs) | 1120 | |
| ESR-6-24 | 609.6 (24") | 631 (24-27/32") | 288.9 | 454 | 565.1 | 577.8 | | 49 (108 lbs) | 1230 | |
| ESR-6-26 | 660.4 (26") | 682 (26-26/32") | 314.3 | 504.8 | 615.9 | 628.6 | | 47 (104 lbs) | 1330 | |
| ESR-6-28 | 711.2 (28") | 732 (28-13/16") | 339.7 | 555.6 | 666.7 | 679.4 | | 45 (99 lbs) | 1440 | |

FULL EXTENSION SLIDE

LOAD RATING
36-64kg
79-139lbs

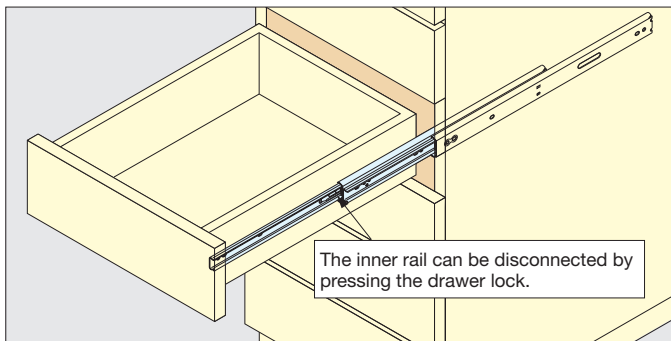
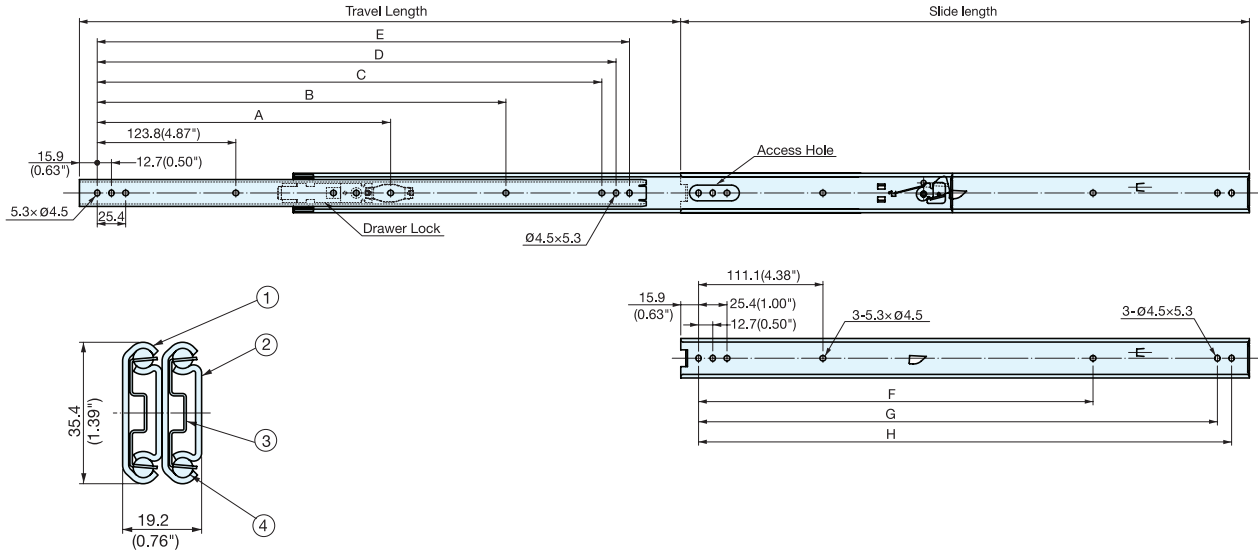
NO SCREW

STAINLESS 304 STEEL

ESR-7

DRAWER SLIDES

STAINLESS STEEL SLIDES



Installation

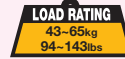
- Full extension
 - Front disconnect
 - Positive lock
 - Non-handed
- * Mount with M4 or #8 Binding, Pan, or Truss head screws.

25.4mm=1"

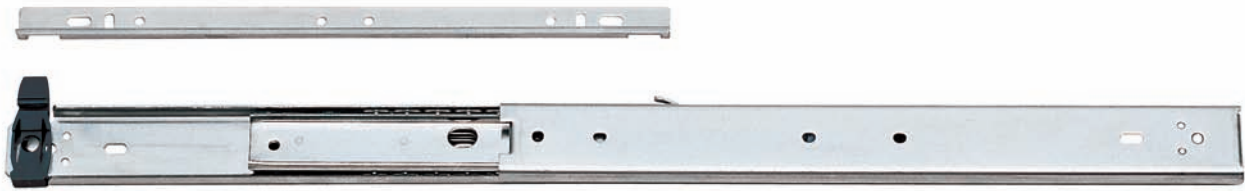
| No. | Part | Material |
|-----|------------|---------------------|
| ① | Outer Rail | 304 Stainless Steel |
| ② | Inner Rail | |
| ③ | Retainer | |
| ④ | Balls | |

| Item No. | Slide Length | Travel Length | A | B | C | D | E | F | G | H | # of Holes | | Load Rating (kg/pair) | Weight (g) | Box (pcs) |
|----------|--------------|------------------|-------|-------|-------|-------|-------|-------|-------|-------|------------|------------|-----------------------|------------|-----------|
| | | | | | | | | | | | Inner Rail | Outer Rail | | | |
| ESR-7-12 | 304.8 (12") | 336 (13-7/32") | - | - | - | 260.3 | 273 | - | 260.3 | 273 | 5 | 6 | 64 (139 lbs) | 640 | 16 |
| ESR-7-14 | 355.6 (14") | 386.8 (15-7/32") | - | - | - | 311.1 | 323.8 | - | 311.1 | 323.8 | 5 | 6 | 60 (131 lbs) | 740 | |
| ESR-7-16 | 406.4 (16") | 437.6 (17-7/32") | - | - | 349.2 | 361.9 | 374.6 | 250.8 | 361.9 | 374.6 | 6 | 6 | 57 (124 lbs) | 840 | |
| ESR-7-18 | 457.2 (18") | 488.4 (19-7/32") | 212.7 | - | 400 | 412.7 | 425.4 | 301.6 | 412.7 | 425.4 | 7 | 6 | 53 (115 lbs) | 950 | |
| ESR-7-20 | 508 (20") | 539.2 (21-7/32") | 238.1 | - | 450.8 | 463.5 | 476.2 | 352.4 | 463.5 | 476.2 | 7 | 6 | 49 (106 lbs) | 1030 | |
| ESR-7-22 | 558.8 (22") | 590 (23-7/32") | 263.5 | 415.9 | 501.6 | 514.3 | 527 | 403.2 | 514.3 | 527 | 8 | 7 | 45 (99 lbs) | 1150 | |
| ESR-7-24 | 609.6 (24") | 640.8 (25-7/32") | 288.9 | 466.7 | 552.4 | 565.1 | 577.8 | 454 | 565.1 | 577.8 | 8 | 7 | 42 (92 lbs) | 1280 | |
| ESR-7-26 | 660.4 (26") | 691.6 (27-7/32") | 314.3 | 517.5 | 603.2 | 615.9 | 628.6 | 504.8 | 615.9 | 628.6 | 8 | 7 | 39 (85 lbs) | 1400 | |
| ESR-7-28 | 711.2 (28") | 742.4 (29-7/32") | 339.7 | 568.3 | 654 | 666.7 | 679.4 | 555.6 | 666.7 | 679.4 | 8 | 7 | 36 (79 lbs) | 1500 | |

FULL EXTENSION SLIDE

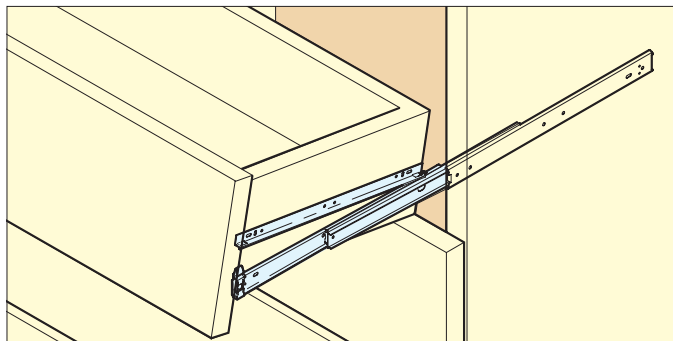
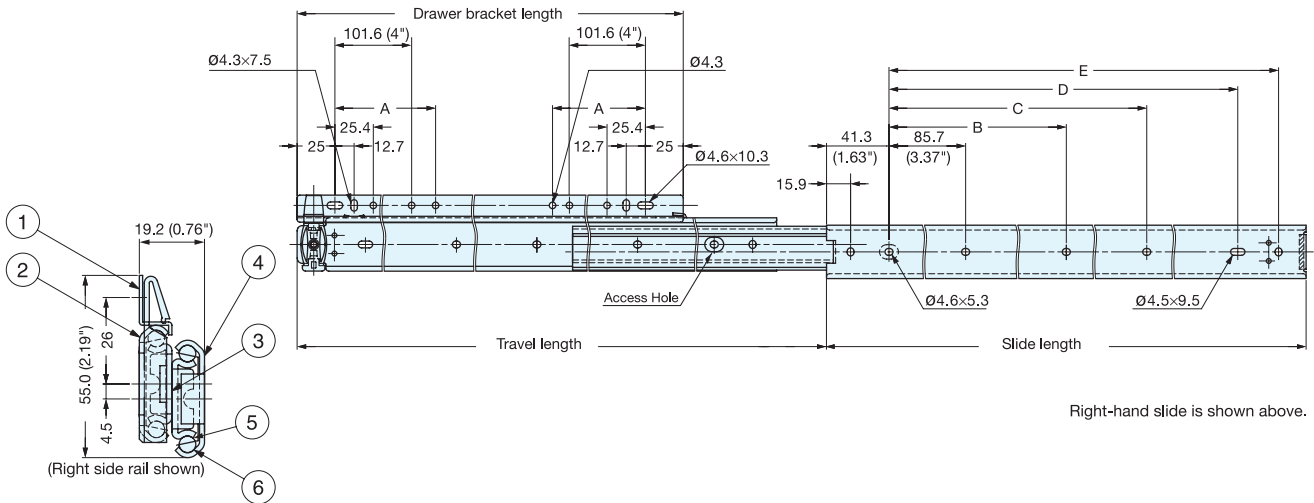


ESR-3



DRAWER SLIDES

STAINLESS STEEL SLIDES



Installation

- Handed
- Full extension
- Quick disconnect
- Positive stop
- * Sold in pairs.
- * Mount with M4 or #8 Binding, Pan, or Truss head screws.

25.4mm=1"

| No. | Part | Material |
|-----|---------------------|---------------------|
| ① | Drawer Bracket | 304 Stainless Steel |
| ② | Inner Rail | |
| ③ | Intermediate Member | |
| ④ | Outer Rail | |
| ⑤ | Retainer | |
| ⑥ | Balls | |

| Item No. | Slide Length | Travel Length | Drawer Bracket Length | A | B | C | D | E | #of Holes Outer Rail | Load Rating (kg/pair) | Weight (g) | Box (Pair) |
|----------|--------------|-------------------|-----------------------|-------|-------|-------|-------|-------|-------------------------|-----------------------|------------|------------|
| ESR-3-12 | 304.8 (12") | 348.4 (13-23/32") | 273 (10-3/4") | 177.8 | - | 123.1 | 218.3 | 245.3 | 6 | 65 (143 lbs) | 680 | 5 |
| ESR-3-14 | 355.6 (14") | 399.2 (15-23/32") | 273 (10-3/4") | | | 173.9 | 269.1 | 296.1 | | 61 (134 lbs) | 780 | |
| ESR-3-16 | 406.4 (16") | 450 (17-23/32") | 375 (14-49/64") | | | 224.7 | 319.9 | 346.9 | | 61 (134 lbs) | 910 | |
| ESR-3-18 | 457.2 (18") | 500.8 (19-23/32") | 375 (14-49/64") | | 187.3 | 275.5 | 370.7 | 397.7 | 56 (123 lbs) | 1010 | | |
| ESR-3-20 | 508 (20") | 551.6 (21-23/32") | 375 (14-49/64") | | 212.7 | 326.3 | 421.5 | 448.5 | 52 (114 lbs) | 1110 | | |
| ESR-3-22 | 558.8 (22") | 602.4 (23-23/32") | 527 (20-3/4") | | 238.1 | 377.1 | 472.3 | 499.3 | 52 (114 lbs) | 1260 | | |
| ESR-3-24 | 609.6 (24") | 653.2 (25-23/32") | 527 (20-3/4") | | 263.5 | 427.9 | 523.1 | 550.1 | 48 (105 lbs) | 1370 | | |
| ESR-3-26 | 660.4 (26") | 704 (27-23/32") | 575.3 (22-21/32") | | 288.9 | 478.7 | 573.9 | 600.9 | 43 (94 lbs) | 1480 | | |
| ESR-3-28 | 711.2 (28") | 754.8 (29-23/32") | 575.3 (22-21/32") | | 314.3 | 529.5 | 624.7 | 651.7 | 43 (94 lbs) | 1580 | | |

FULL EXTENSION SLIDE

LOAD RATING
64-130kg
140-285lbs

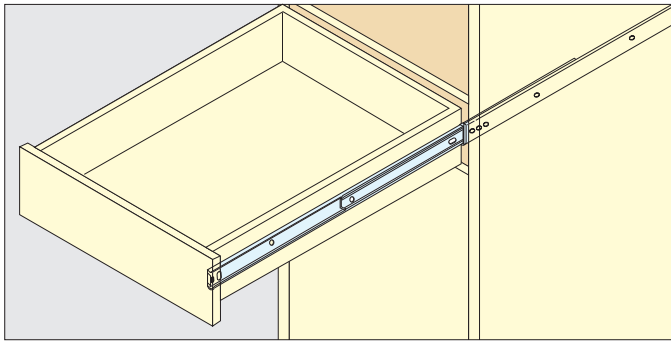
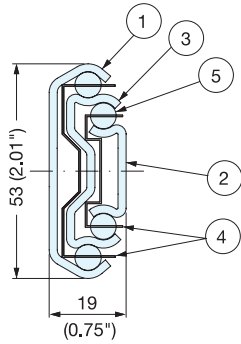
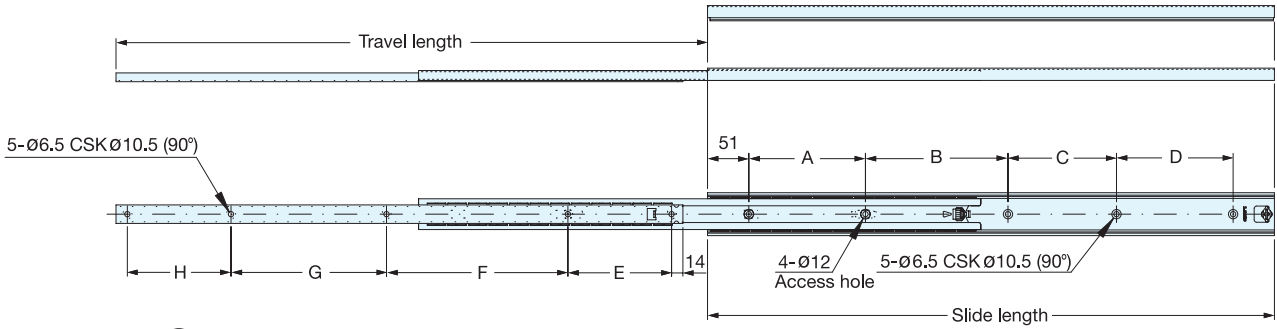
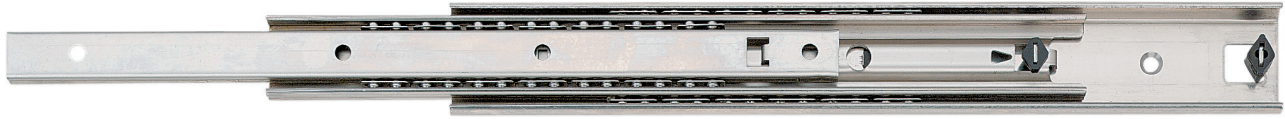
NO SCREW

STAINLESS 304 STEEL

5302

DRAWER SLIDES

STAINLESS STEEL SLIDES



Installation

- Full extension
- Positive stop
- Non-handed
- Hold-in detent
- * Mount with M6 Flat head screws.

25.4mm=1"

| No. | Part | Material |
|-----|---------------------|---------------------|
| ① | Outer Rail | 304 Stainless Steel |
| ② | Inner Rail | |
| ③ | Intermediate Member | |
| ④ | Retainer | |
| ⑤ | Balls | 420 Stainless Steel |

| Item No. | Slide Length | Travel Length | A | B | C | D | E | F | G | H | Load Rating (kg/pair) | Weight (g) | Box (pcs) |
|----------|------------------|------------------|-----|-----|-----|-----|-----|-----|-----|-----|-----------------------|------------|-----------|
| 5302-300 | 300 (11-13/16") | 337 (13-1/4") | 112 | 80 | - | - | 128 | 128 | - | - | 130 (285 lbs) | 858 | 20 |
| 5302-350 | 350 (13-3/4") | 386 (15-3/16") | 144 | 96 | - | - | 160 | 160 | - | - | 119 (260 lbs) | 1007 | |
| 5302-400 | 400 (15-3/4") | 435 (17-1/8") | 144 | 80 | 80 | - | 96 | 96 | 160 | - | 108 (236 lbs) | 1157 | |
| 5302-450 | 450 (17-11/16") | 484 (19-1/16") | 80 | 192 | - | - | 128 | - | - | - | 98 (215 lbs) | 1302 | 16 |
| 5302-500 | 500 (19-11/16") | 534 (21") | - | 160 | 112 | - | 160 | 160 | 128 | - | 92 (201 lbs) | 1430 | 10 |
| 5302-550 | 550 (21-11/16") | 583 (22-61/64") | - | 176 | 160 | - | 192 | 128 | 192 | - | 86 (188 lbs) | 1609 | |
| 5302-600 | 600 (23-5/8") | 632 (24-7/8") | 112 | 224 | - | - | 208 | 128 | 208 | - | 81 (177 lbs) | 1755 | |
| 5302-650 | 650 (25-5/8") | 681 (26-13/16") | - | - | 144 | 128 | 128 | 192 | 160 | 128 | 76 (166 lbs) | 1914 | |
| 5302-700 | 700 (27-9/16") | 730 (28-3/4") | 144 | 160 | 144 | 128 | 208 | 208 | 208 | - | 71 (155 lbs) | 2061 | |
| 5302-750 | 750 (29-1/2") | 780 (30-1/16") | 176 | - | 160 | 152 | 192 | - | 178 | 192 | 68 (149 lbs) | 2193 | 8 |
| 5302-800 | 800 (31-1/2") | 829 (32-5/8") | 192 | 192 | 192 | 112 | 224 | 160 | 164 | 224 | 64 (140 lbs) | 2341 | |

FULL EXTENSION SLIDE

LOAD RATING
182-272kg
400-599lbs

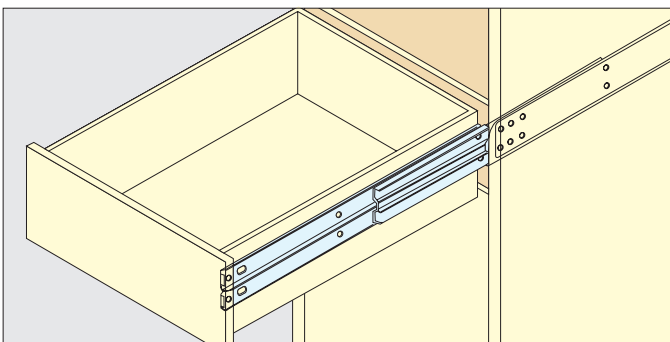
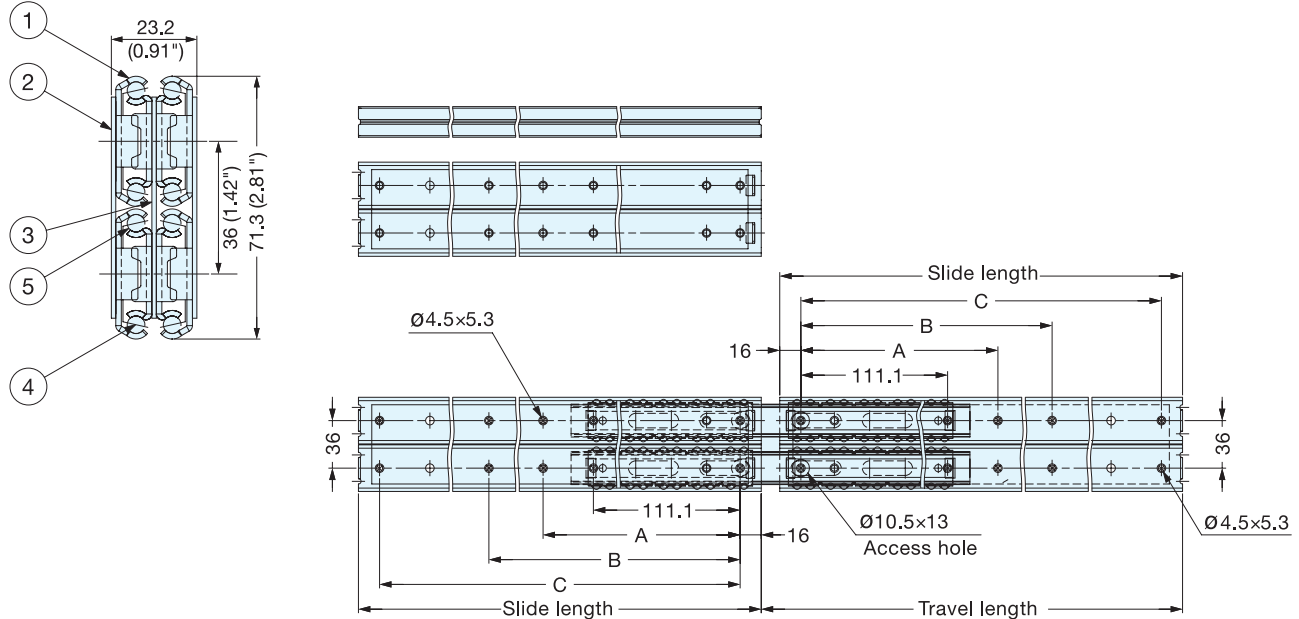
NO SCREW

STAINLESS 304 STEEL

ESR-10

DRAWER SLIDES

STAINLESS STEEL SLIDES



Installation

- Full extension
- Positive stop
- Non-handed
- Heavy duty
- * Mount with M4 or #8 Binding, Pan, or Truss head screws.

25.4mm=1"

| No. | Part | Material |
|-----|---------------------|---------------------|
| ① | Outer Rail | 304 Stainless Steel |
| ② | Tie Plate | |
| ③ | Intermediate Member | |
| ④ | Retainer | |
| ⑤ | Balls | |

| Item No. | Slide Length | Travel Length | A | B | C | # of Holes | Load Rating (kg/pair) | Weight (g) | Box (pcs) |
|-----------|--------------|------------------|-------|-------|-------|------------|-----------------------|------------|-----------|
| ESR-10-12 | 305 (12") | 319 (12-9/16") | - | 149.2 | 273 | 16 | 272 (599 lbs) | 1670 | 8 |
| ESR-10-14 | 355.8 (14") | 369.8 (14-9/16") | - | 200 | 323.8 | | 268 (590 lbs) | 2000 | |
| ESR-10-16 | 406.6 (16") | 420.6 (16-9/16") | - | 250.8 | 374.6 | | 259 (570 lbs) | 2340 | |
| ESR-10-18 | 457.4 (18") | 471.4 (18-9/16") | 212.7 | 301.6 | 425.4 | 20 | 250 (550 lbs) | 2500 | 6 |
| ESR-10-20 | 508.2 (20") | 522.2 (20-9/16") | 238.1 | 352.4 | 476.2 | | 241 (530 lbs) | 2840 | |
| ESR-10-22 | 559 (22") | 573 (22-9/16") | 263.5 | 403.2 | 527 | | 229 (504 lbs) | 3250 | |
| ESR-10-24 | 609.8 (24") | 623.8 (24-9/16") | 288.9 | 454 | 577.8 | | 216 (475 lbs) | 3500 | |
| ESR-10-26 | 660.6 (26") | 674.6 (26-9/16") | 314.3 | 504.8 | 628.6 | 4 | 200 (440 lbs) | 3840 | |
| ESR-10-28 | 711.4 (28") | 725.4 (28-9/16") | 339.7 | 555.6 | 679.4 | | 182 (400 lbs) | 4170 | |

FULL EXTENSION SLIDE

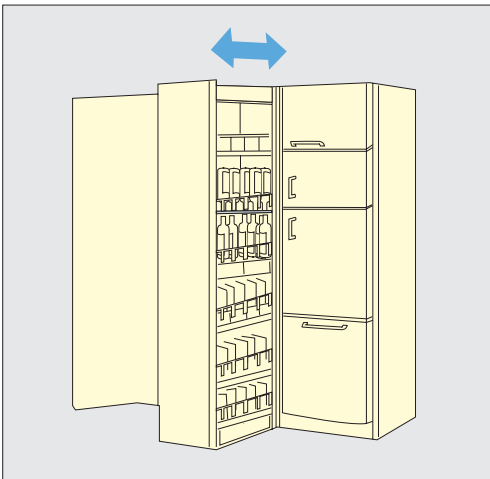
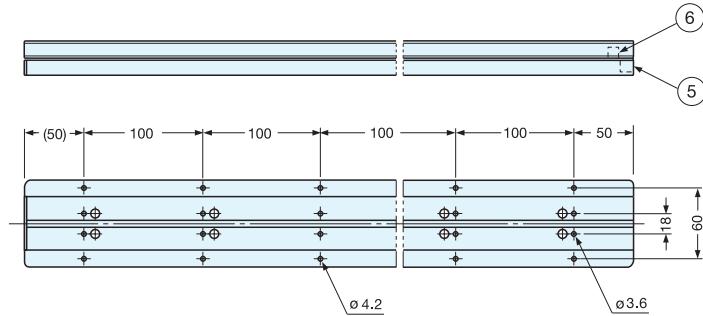
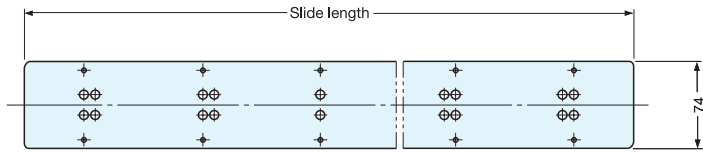
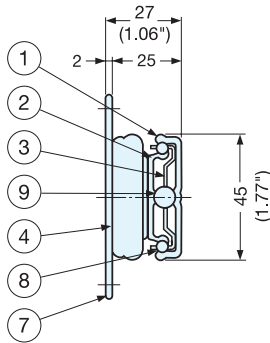
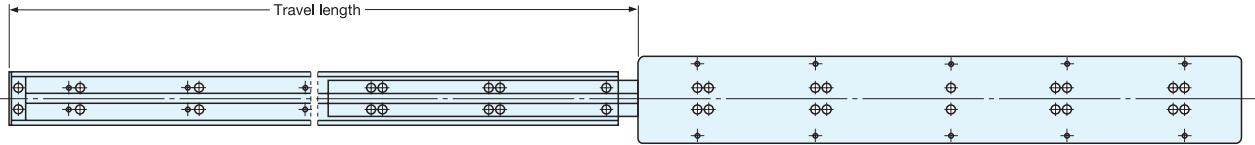
LOAD RATING
50-95kg
110-209lbs

NO SCREW

TSS3

DRAWER SLIDES

FULL EXTENSION SLIDES



Installation

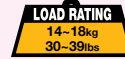
- Full extension
- Positive stop
- Non-handed
- Heavy duty

25.4mm=1"

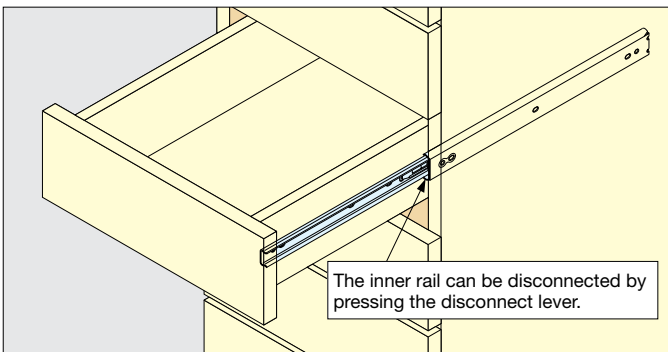
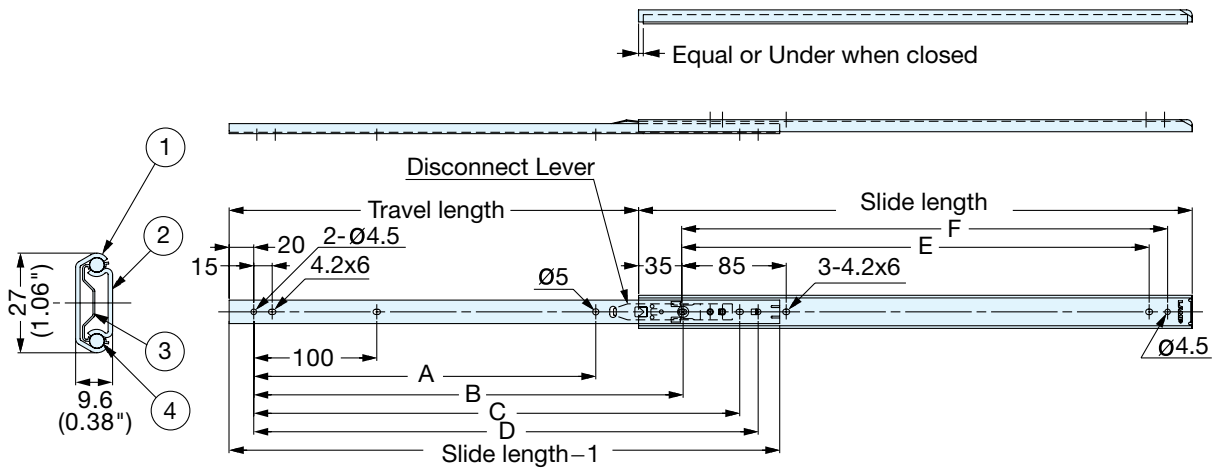
| No. | Part | Material |
|-----|-------------|---------------------|
| ① | Outer Rail | 304 Stainless Steel |
| ② | Inner Rail | |
| ③ | Retainer | |
| ④ | End Stopper | Polyamide |
| ⑤ | Outer Guide | Polyacetal |
| ⑥ | Inner Guide | |
| ⑦ | Plate | 304 Stainless Steel |
| ⑧ | Large Balls | Steel |
| ⑨ | Small Balls | |

| Item No. | Slide Length | Travel Length | # of Holes | Load Rating (kg/pair) | Weight (g) | Box (pcs) |
|-----------|-----------------|------------------|------------|-----------------------|------------|-----------|
| TSS3-300 | 300 (11-13/16") | 336 (13-7/32") | 6 | 95 (209 lbs) | 1380 | 4 |
| TSS3-400 | 400 (15-3/4") | 436 (17-5/32") | 8 | 90 (198 lbs) | 1860 | |
| TSS3-500 | 500 (19-11/16") | 536 (21-3/32") | 10 | 85 (187 lbs) | 2390 | |
| TSS3-600 | 600 (23-5/8") | 636 (25-1/32") | 12 | 80 (176 lbs) | 2880 | |
| TSS3-800 | 800 (31-1/2") | 836 (32-29/32") | 16 | 65 (143 lbs) | 3790 | |
| TSS3-1000 | 1000 (39-3/8") | 1036 (40-25/32") | 20 | 50 (110 lbs) | 4710 | |

3/4 EXTENSION SLIDE



272SL



Installation

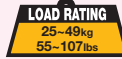
- 3/4 extension
- Front disconnect
- Positive stop
- Non-handed
- * Mount with M4 or #8 Binding, Pan, or Truss head screws.

25.4mm=1"

| No. | Part | Material |
|-----|------------|---------------------|
| ① | Outer Rail | 304 Stainless Steel |
| ② | Inner Rail | |
| ③ | Retainer | 420 Stainless Steel |
| ④ | Balls | |

| Item No. | Slide Length | Travel Length | A | B | C | D | E | F | Load Rating (kg/pair) | Weight (g) | Box (pcs) |
|-----------|-----------------|-------------------|-----|-----|-----|-------|-----|-----|-----------------------|------------|-----------|
| 272SL-300 | 300 (11-13/16") | 220 (8-43/64") | 165 | 236 | - | - | 230 | 245 | 18 (39 lbs) | - | 20 |
| 272SL-350 | 350 (13-25/32") | 261 (10-9/32") | 206 | 277 | - | - | 280 | 295 | 17 (37 lbs) | | |
| 272SL-400 | 400 (15-3/4") | 301 (11-55/64") | 246 | 317 | - | 362.5 | 330 | 345 | 16 (35 lbs) | | |
| 272SL-450 | 450 (17-23/32") | 333 (13-7/64") | 278 | 349 | 395 | 410 | 380 | 395 | 15 (33 lbs) | | |
| 272SL-500 | 500 (19-11/16") | 373 (14-11/16") | 318 | 389 | 445 | 460 | 430 | 445 | 14 (30 lbs) | | |

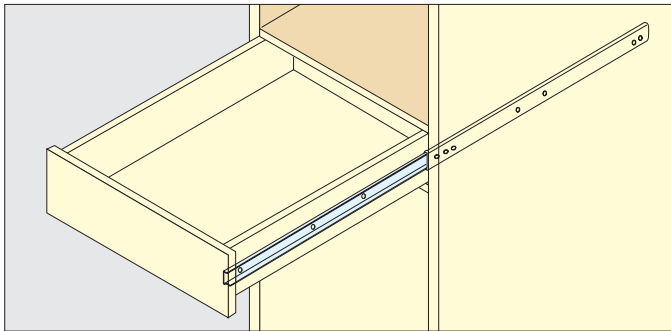
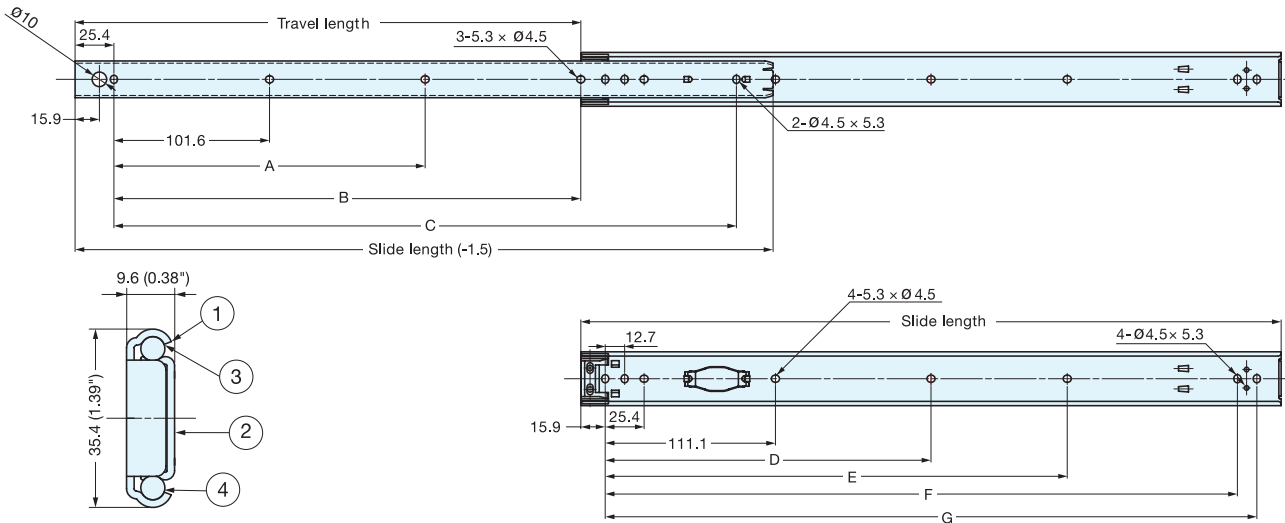
3/4 EXTENSION SLIDE



ESR-1

DRAWER SLIDES

STAINLESS STEEL SLIDES



Installation

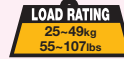
- 3/4 extension
 - Front disconnect
 - Friction brake stop
 - Non-handed
- * Mount with M4 or #8 Binding, Pan, or Truss head screws.

25.4mm=1"

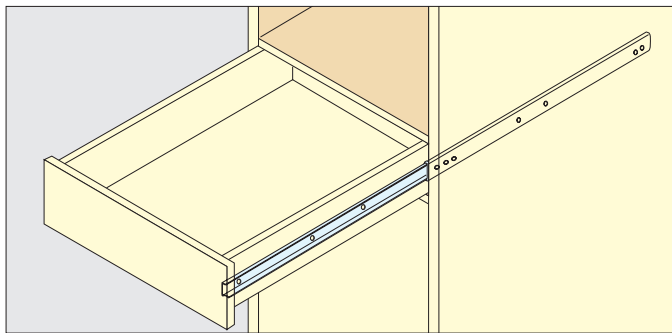
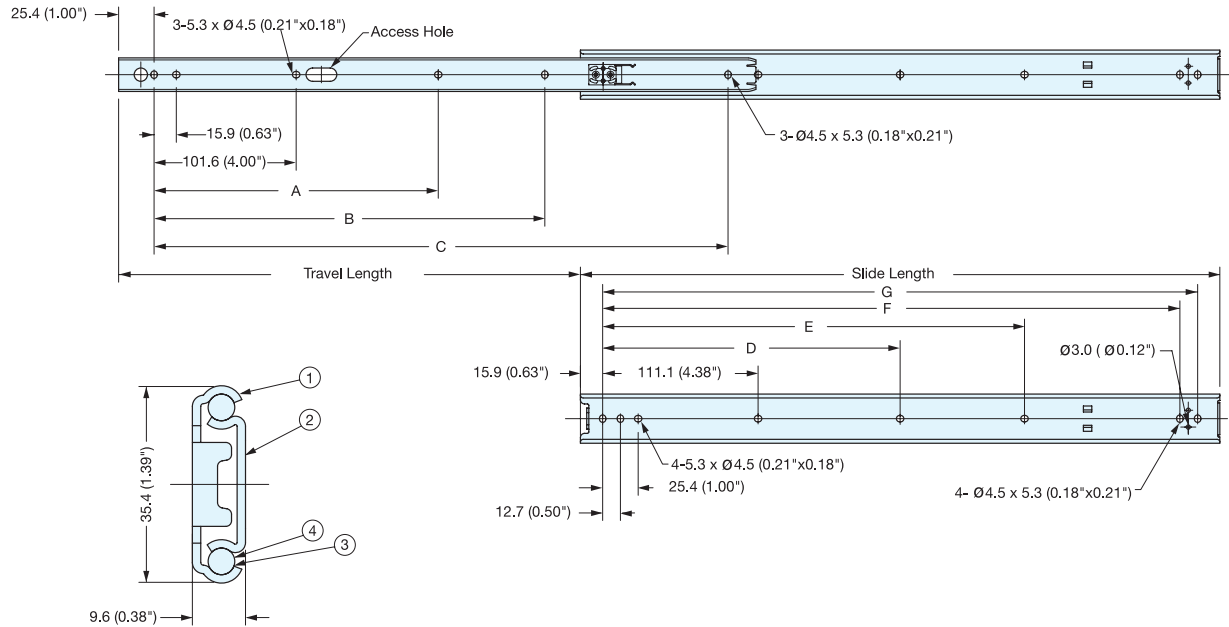
| No. | Part | Material |
|-----|------------|---------------------|
| ① | Outer Rail | 304 Stainless Steel |
| ② | Inner Rail | |
| ③ | Retainer | |
| ④ | Balls | |

| Item No. | Slide Length | Travel Length | A | B | C | D | E | F | G | # of Holes | | Load Rating (kg/pair) | Weight (g) | Box (pcs) |
|----------|--------------|---------------|-------|-------|-------|-------|-------|-------|-------|---------------|------------|-----------------------|------------|-----------|
| | | | | | | | | | | Inner Rail | Outer Rail | | | |
| ESR-1-12 | 304.8 (12") | 228.6 (9") | - | 152.4 | 254 | - | 149.2 | 260.3 | 273 | 4 | 7 | 49 (107 lbs) | 300 | 30 |
| ESR-1-14 | 355.6 (14") | 279.4 (11") | - | 203.2 | 304.8 | - | 200 | 311.1 | 323.8 | 4 | 7 | 47 (103 lbs) | 360 | |
| ESR-1-16 | 406.4 (16") | 304.8 (12") | - | 254 | 355.6 | - | 250.8 | 361.9 | 374.6 | 4 | 7 | 43 (94 lbs) | 420 | |
| ESR-1-18 | 457.2 (18") | 330.2 (13") | 203.2 | 304.8 | 406.4 | 212.7 | 301.6 | 412.7 | 425.4 | 5 | 8 | 41 (90 lbs) | 460 | |
| ESR-1-20 | 508 (20") | 381 (15") | 228.6 | 355.6 | 457.2 | 238.1 | 352.4 | 463.5 | 476.2 | | | 37 (81 lbs) | 490 | |
| ESR-1-22 | 558.8 (22") | 406.4 (16") | 254 | 406.4 | 508 | 263.5 | 403.2 | 514.3 | 527 | 34 (74 lbs) | 560 | | | |
| ESR-1-24 | 609.6 (24") | 432.8 (17") | 279.4 | 457.2 | 558.8 | 288.9 | 454 | 565.1 | 577.8 | 30 (66 lbs) | 590 | | | |
| ESR-1-26 | 660.4 (26") | 482.6 (19") | 304.8 | 508 | 609.6 | 314.3 | 504.8 | 615.9 | 628.6 | 27 (59 lbs) | 660 | | | |
| ESR-1-28 | 711.2 (28") | 508 (20") | 330.2 | 558.8 | 660.4 | 339.7 | 555.6 | 666.7 | 679.4 | 25 (55 lbs) | 690 | | | |

3/4 EXTENSION SLIDE



ESR-13



Installation

- 3/4 extension
 - Positive stop
 - Positive catch
 - Non-handed
- * Mount with M4 or #8 Binding, Pan, or Truss head screws.

25.4mm=1"

| No. | Part | Material |
|-----|------------|---------------------|
| ① | Outer Rail | 304 Stainless Steel |
| ② | Inner Rail | |
| ③ | Retainer | |
| ④ | Balls | |

| Item No. | Slide Length | Travel Length | A | B | C | D | E | F | G | # of Holes | | Load Rating (kg/pair) | Weight (g) | Box (pcs) |
|-----------|--------------|---------------|-------|-------|-------|-------|-------|-------|-------|------------|------------|-----------------------|------------|-----------|
| | | | | | | | | | | Inner Rail | Outer Rail | | | |
| ESR-13-12 | 304.8 (12") | 228.6 (9") | - | 177.8 | 258 | - | 149.2 | 260.3 | 273 | 4 | 7 | 49 (107 lbs) | 310 | 30 |
| ESR-13-14 | 355.6 (14") | 279.4 (11") | - | 228.6 | 308.8 | - | 200 | 311.1 | 323.8 | 4 | 7 | 47 (103 lbs) | 360 | |
| ESR-13-16 | 406.4 (16") | 304.8 (12") | - | 254 | 359.6 | - | 250.8 | 361.9 | 374.6 | 4 | 7 | 43 (94 lbs) | 410 | |
| ESR-13-18 | 457.2 (18") | 330.2 (13") | 203.2 | 279.4 | 410.4 | 212.7 | 301.6 | 412.7 | 425.4 | 5 | 8 | 41 (90 lbs) | 460 | |
| ESR-13-20 | 508 (20") | 381 (15") | 228.6 | 330.2 | 461.2 | 238.1 | 352.4 | 463.5 | 476.2 | | | 37 (81 lbs) | 520 | |
| ESR-13-22 | 558.8 (22") | 406.4 (16") | 254 | 355.6 | 512 | 263.5 | 403.2 | 514.3 | 527 | | | 34 (74 lbs) | 570 | |
| ESR-13-24 | 609.6 (24") | 431.8 (17") | 254 | 381 | 562.8 | 288.9 | 454 | 565.1 | 577.8 | | | 30 (66 lbs) | 620 | |
| ESR-13-26 | 660.4 (26") | 482.6 (19") | 254 | 431.8 | 613.6 | 314.3 | 504.8 | 615.9 | 628.6 | | | 27 (59 lbs) | 650 | |
| ESR-13-28 | 711.2 (28") | 508 (20") | 279.4 | 457.2 | 664.4 | 339.7 | 555.6 | 666.7 | 679.4 | | | 25 (55 lbs) | 700 | |

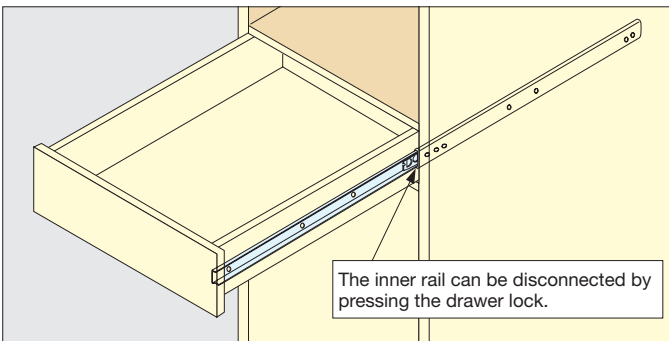
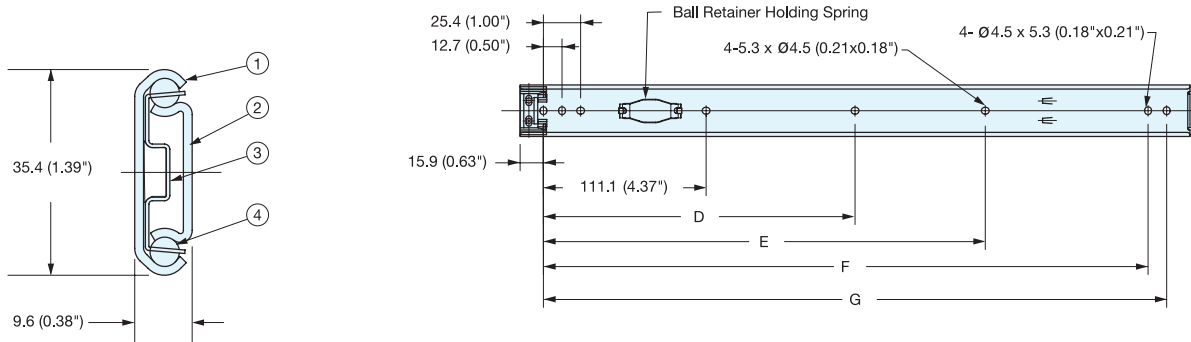
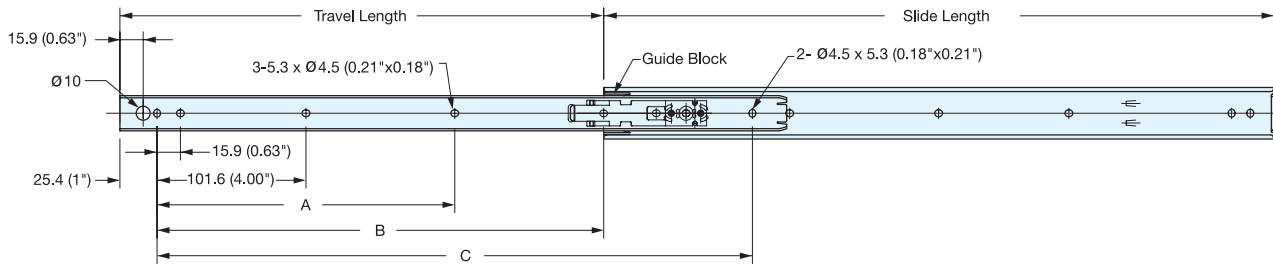
3/4 EXTENSION SLIDE



ESR-8

DRAWER SLIDES

STAINLESS STEEL SLIDES



Installation

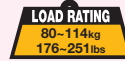
- 3/4 extension
- Positive lock
- Front disconnect
- Non-handed
- * Mount with M4 or #8 Binding, Pan, or Truss head screws.

| No. | Part | Material |
|-----|------------|---------------------|
| ① | Outer Rail | 304 Stainless Steel |
| ② | Inner Rail | |
| ③ | Retainer | |
| ④ | Balls | |

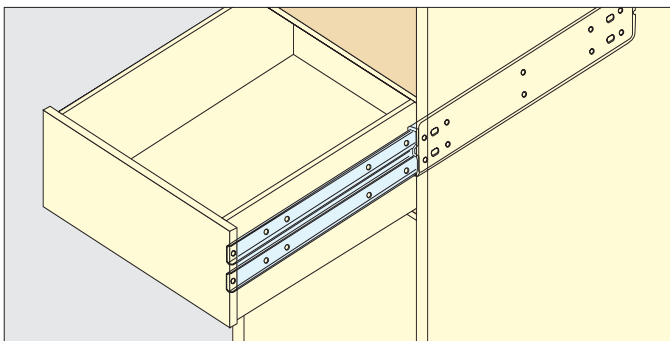
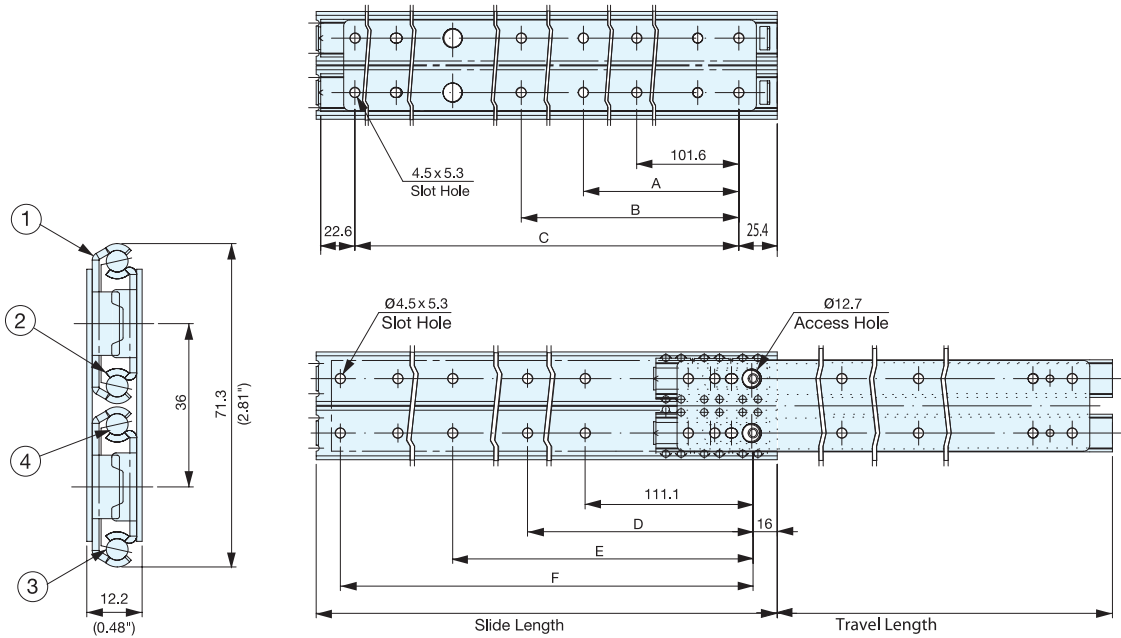
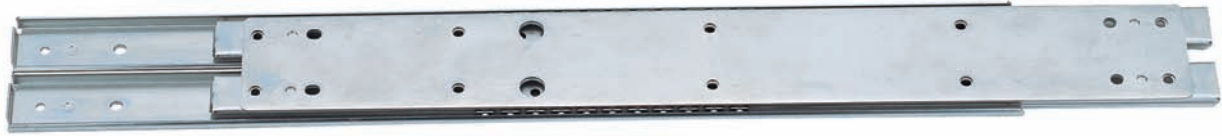
25.4mm=1"

| Item No. | Slide Length | Travel Length | A | B | C | D | E | F | G | # of Holes | | Load Rating (kg/pair) | Weight (g) | Box (pcs) |
|----------|--------------|------------------|-------|-------|-------|-------|-------|-------|-------|--------------|------------|-----------------------|------------|-----------|
| | | | | | | | | | | Inner Rail | Outer Rail | | | |
| ESR-8-12 | 304.8 (12") | 228.6 (9") | - | 152.4 | - | - | 149.2 | 260.3 | 273 | 4 | 7 | 49 (107 lbs) | 310 | 20 |
| ESR-8-14 | 355.6 (14") | 279.4 (11") | - | 203.2 | - | - | 200 | 311.1 | 323.8 | 4 | 7 | 47 (103 lbs) | 370 | |
| ESR-8-16 | 406.4 (16") | 304.8 (12") | - | 203.2 | 355.6 | - | 250.8 | 361.9 | 374.6 | 4 | 7 | 43 (94 lbs) | 420 | |
| ESR-8-18 | 457.2 (18") | 330.2 (13") | 203.2 | - | 406.4 | 212.7 | 301.6 | 412.7 | 425.4 | 5 | 8 | 41 (90 lbs) | 470 | |
| ESR-8-20 | 508 (20") | 381 (15") | 228.6 | - | 457.2 | 238.1 | 352.4 | 463.5 | 476.2 | | | 37 (81 lbs) | 500 | |
| ESR-8-22 | 558.8 (22") | 406.4 (16") | 254 | - | 508 | 263.5 | 403.2 | 514.3 | 527 | 34 (74 lbs) | 550 | | | |
| ESR-8-24 | 609.6 (24") | 432.8 (17-1/32") | 279.4 | - | 558.8 | 288.9 | 454 | 565.1 | 577.8 | 30 (66 lbs) | 600 | | | |
| ESR-8-26 | 660.4 (26") | 482.6 (19") | 304.8 | - | 609.6 | 314.3 | 504.8 | 615.9 | 628.6 | 27 (59 lbs) | 670 | | | |
| ESR-8-28 | 711.2 (28") | 508 (20") | 330.2 | - | 660.4 | 339.7 | 555.6 | 666.7 | 679.4 | 25 (55 lbs) | 680 | | | |

3/4 EXTENSION SLIDE



ESR-5



Installation

- 3/4 extension
- Positive stop
- Non-handed
- Heavy duty
- * Mount with M4 or #8 Binding, Pan, or Truss head screws.

25.4mm=1"

| No. | Part | Material |
|-----|------------|---------------------|
| ① | Outer Rail | 304 Stainless Steel |
| ② | Inner Rail | |
| ③ | Retainer | |
| ④ | Balls | |

| Item No. | Slide Length | Travel Length | A | B | C | D | E | F | # of Holes | | Load Rating (kg/pair) | Weight (g) | Box (pcs) |
|----------|--------------|-------------------|-------|-------|-------|-------|-------|-------|------------|------------|-----------------------|------------|-----------|
| | | | | | | | | | Inner Rail | Outer Rail | | | |
| ESR-5-12 | 305 (12") | 221.8 (8-47/64") | - | 152.4 | 254 | - | 149.2 | 273 | 6 | 8 | 114 (251 lbs) | 920 | 12 |
| ESR-5-14 | 355.8 (14") | 259.9 (10-15/64") | - | 203.2 | 304.8 | - | 200 | 323.8 | | | 109 (240 lbs) | 1090 | |
| ESR-5-16 | 406.6 (16") | 298 (11-47/64") | - | 254 | 355.6 | - | 250.8 | 374.6 | | | 104 (229 lbs) | 1250 | |
| ESR-5-18 | 457.4 (18") | 348.8 (13-47/64") | 203.2 | 304.8 | 406.4 | 212.7 | 301.6 | 425.4 | 6 | 10 | 102 (224 lbs) | 1500 | |
| ESR-5-20 | 508.2 (20") | 361.5 (14-15/64") | 228.6 | 355.6 | 457.2 | 238.1 | 352.4 | 476.2 | | | 99 (218 lbs) | 1670 | |
| ESR-5-22 | 559 (22") | 425 (16-47/64") | 254 | 406.4 | 508 | 263.5 | 403.2 | 527 | | | 94 (207 lbs) | 1750 | |
| ESR-5-24 | 609.8 (24") | 450.4 (17-47/64") | 279.4 | 457.2 | 558.8 | 288.9 | 454 | 577.8 | 6 | 10 | 89 (196 lbs) | 1920 | |
| ESR-5-26 | 660.6 (26") | 463.1 (18-15/64") | 304.8 | 508 | 609.6 | 314.3 | 504.8 | 628.6 | | | 86 (189 lbs) | 2090 | |
| ESR-5-28 | 711.4 (28") | 501.2 (19-47/64") | 330.2 | 558.8 | 660.4 | 339.7 | 555.6 | 679.4 | | | 80 (176 lbs) | 2250 | |

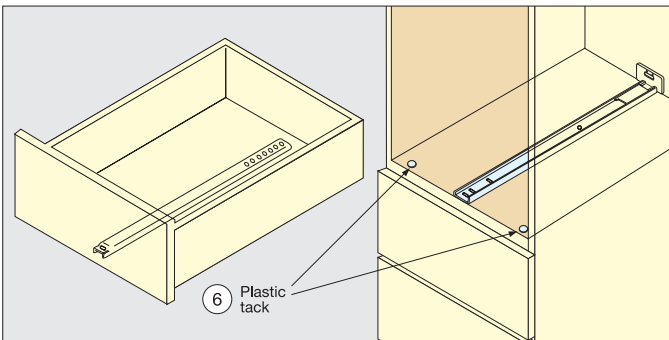
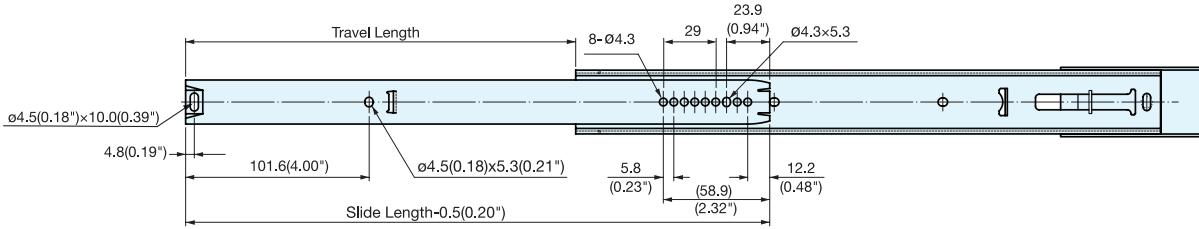
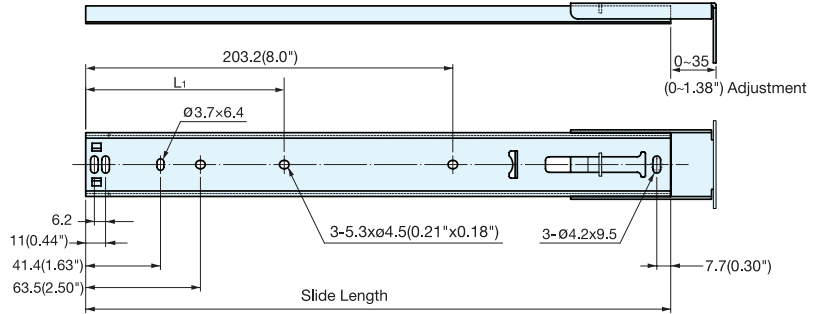
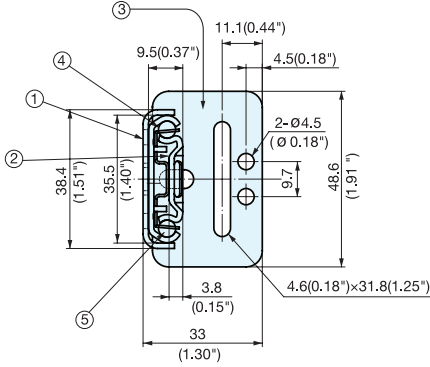
3/4 EXTENSION SLIDE



ESR-2

DRAWER SLIDES

STAINLESS STEEL SLIDES



Installation

- Under carriage mounting with bracket
- 3/4 extension
- Front disconnect
- Friction brake stop
- * Mount with M4 or #8 Binding, Pan, or Truss head screws.
- * Two plastic tacks supplied per slide.

25.4mm=1"

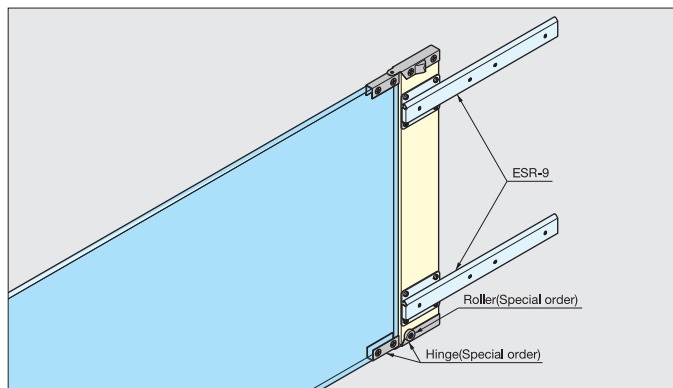
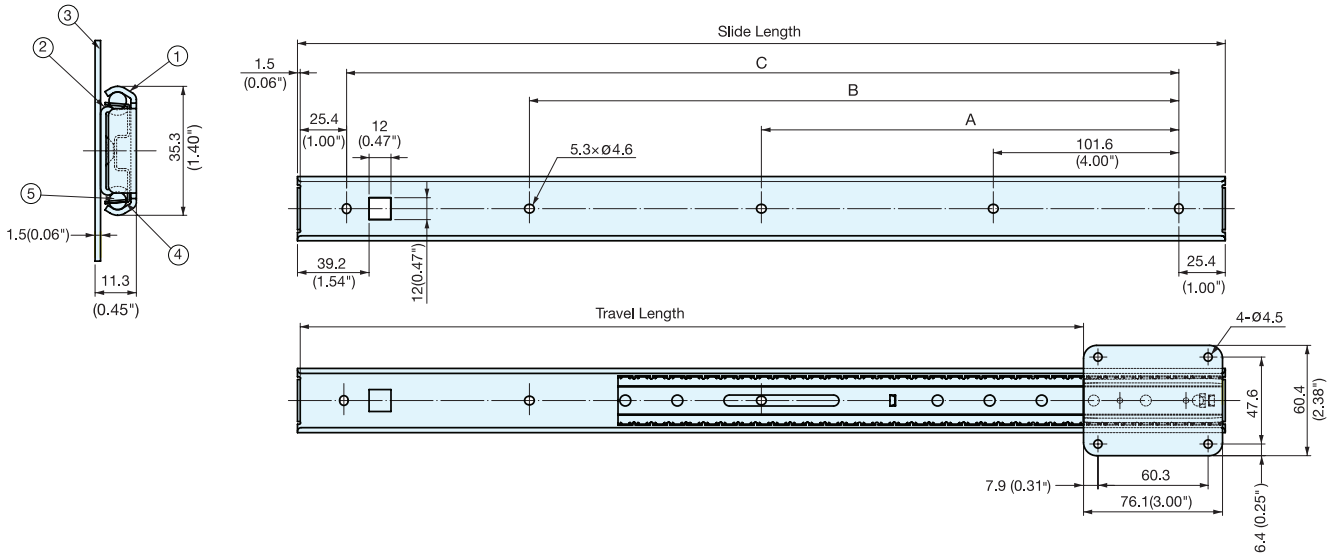
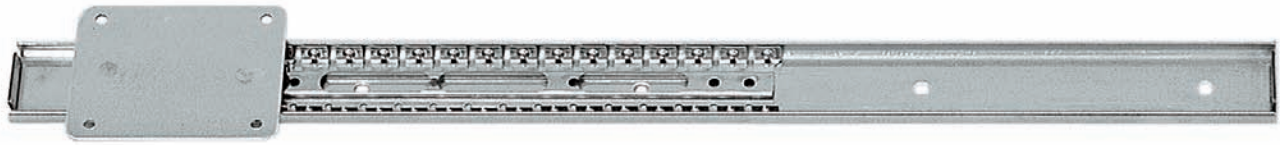
| No. | Part | Material |
|-----|--------------|---------------------|
| ① | Outer Rail | 304 Stainless Steel |
| ② | Inner Rail | |
| ③ | Bracket | |
| ④ | Retainer | |
| ⑤ | Balls | |
| ⑥ | Plastic Tack | Polyamide |

| Item No. | Slide Length | Travel Length | L ₁ | # of Holes | | Load Rating (kg/pc) | Weight (g) | Box (pcs) |
|----------|-----------------|-----------------|----------------|------------|------------|---------------------|------------|-----------|
| | | | | Inner Rail | Outer Rail | | | |
| ESR-2-12 | 323.8 (12-3/4") | 215.9 (8-1/2") | 109.9 | 11 | 7 | 8 (18 lbs) | 340 | 20 |
| ESR-2-14 | 374.6 (14-3/4") | 266.7 (10-1/2") | 160.7 | | | 7.5 (17 lbs) | 400 | |
| ESR-2-16 | 425.4 (16-3/4") | 304.8 (12") | - | | 6 | 7 (15 lbs) | 450 | |
| ESR-2-18 | 476.2 (18-3/4") | 317.5 (12-1/2") | 262.3 | | | 490 | | |
| ESR-2-20 | 527 (20-3/4") | 368.3 (14-1/2") | 313.1 | | 7 | 6.5 (14 lbs) | 530 | |
| ESR-2-22 | 577.8 (22-3/4") | 419.1 (16-1/2") | 363.9 | | | 6 (13 lbs) | 630 | |
| ESR-2-24 | 628.6 (24-3/4") | 444.5 (17-1/2") | 414.7 | | | 5.5 (12 lbs) | 690 | |
| ESR-2-26 | 679.4 (26-3/4") | 495.3 (19-1/2") | 465.5 | | | 5 (11 lbs) | 720 | |

LINEAR BALL BEARING GUIDE



ESR-9



Installation

- Mounting plate attached type.
- * Mount with M4 or #8 Binding, Pan, or Truss head screws.

25.4mm=1"

| No. | Part | Material |
|-----|----------------|---------------------|
| ① | Outer Rail | 304 Stainless Steel |
| ② | Inner Rail | |
| ③ | Mounting Plate | |
| ④ | Retainer | |
| ⑤ | Balls | |

| Item No. | Slide Length | Travel Length | A | B | C | # of Holes Outer Rail | Load Rating (kg/pair) | Weight (g) | Box (pcs) |
|----------|--------------|-----------------|-------|-------|-------|--------------------------|-----------------------|------------|-----------|
| ESR-9-12 | 304.8 (12") | 225.7 (8-7/8") | - | 152.4 | 254 | 4 | 5 (11 lbs) | 290 | 20 |
| ESR-9-14 | 355.6 (14") | 276.5 (10-7/8") | | 203.2 | 304.8 | | | | |
| ESR-9-16 | 406.4 (16") | 327.3 (12-7/8") | | 254 | 355.6 | | | | |
| ESR-9-18 | 457.2 (18") | 378.1 (14-7/8") | 203.2 | 304.8 | 406.4 | 5 | | 390 | |
| ESR-9-20 | 508 (20") | 428.9 (16-7/8") | 228.6 | 355.6 | 457.2 | | | 430 | |
| ESR-9-22 | 558.8 (22") | 479.7 (18-7/8") | 254 | 406.4 | 508 | | | 460 | |
| ESR-9-24 | 609.6 (24") | 530.5 (20-7/8") | 279.4 | 457.2 | 558.8 | 500 | | | |
| ESR-9-26 | 660.4 (26") | 581.3 (22-7/8") | 304.8 | 508 | 609.6 | 530 | | | |
| ESR-9-28 | 711.2 (28") | 632.1 (24-7/8") | 330.2 | 558.8 | 660.4 | 560 | | | |

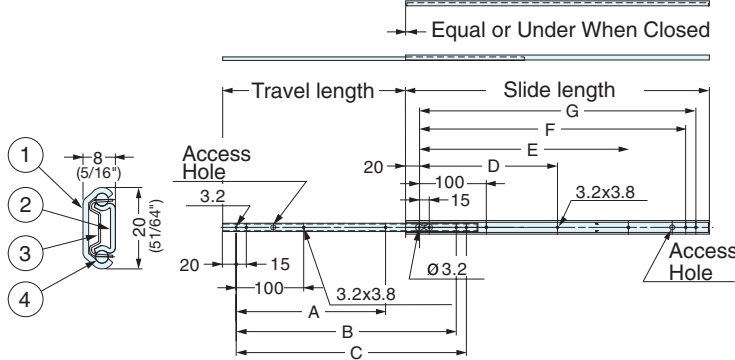
3/4 EXTENSION SLIDE (Low Profile)



ESR-2021



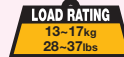
- 3/4 extension
- Positive stop
- Non-handed
- Requires #4 or M3 pan head screw



| No. | Part Name | Material | Finish / Color |
|-----|------------|---------------------|----------------|
| ① | Outer Rail | 304 Stainless Steel | Plain |
| ② | Inner Rail | | |
| ③ | Retainer | | |
| ④ | Ball | | - |

| Item No. | Slide Length | Travel Length | A | B | C | D | E | F | G | Load Rating (kg / pair) | Load Rating (lbs / pair) | Weight (g / pair) | Box (pcs) |
|--------------|-------------------|-------------------|-----|-----|-----|-----|-----|-----|-----|-------------------------|--------------------------|-------------------|-----------|
| ESR-2021-200 | 200 (7-7/8") | 134 (5- 9/32") | - | 145 | 160 | - | - | 145 | 160 | 13 | 28 | 200 | 100 |
| ESR-2021-250 | 250 (9-27/32") | 184 (7-15/64") | 150 | 195 | 210 | | 195 | 210 | 15 | 33 | 250 | | |
| ESR-2021-300 | 300 (11-13/16") | 224 (8-13/16") | 190 | 245 | 260 | | 160 | 245 | 16 | 35 | 300 | | |
| ESR-2021-350 | 350 (13-25/32") | 244 (9-39/64") | 225 | 295 | 310 | | 210 | 295 | 310 | 350 | | | |
| ESR-2021-400 | 400 (15-3/4") | 294 (11-37/64") | 265 | 345 | 360 | | 260 | 345 | 360 | 400 | | | |
| ESR-2021-450 | 450 (17-23/32") | 334 (13-9/64") | 300 | 395 | 410 | 205 | 310 | 395 | 410 | 13 | 28 | 450 | |
| ESR-2021-500 | 500 (19-11/16") | 384 (15-7/64") | 337 | 445 | 460 | 230 | 360 | 445 | 460 | 11 | 24 | 500 | |

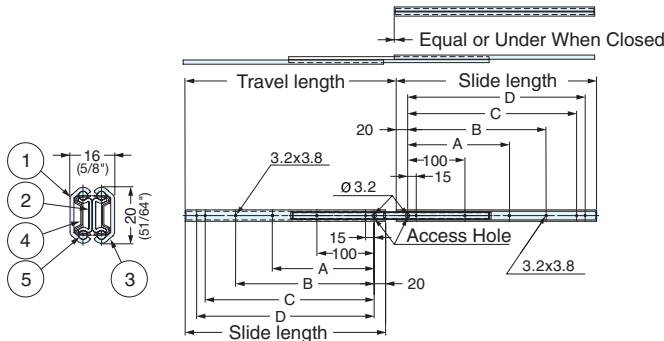
FULL EXTENSION SLIDE (Low Profile)



ESR-2031



- Full extension
- Positive stop
- Non-handed
- Requires #4 or M3 pan head screw



| No. | Part Name | Material | Finish / Color |
|-----|------------|---------------------|----------------|
| ① | Outer Rail | 304 Stainless Steel | Plain |
| ② | Inner Rail | | |
| ③ | Retainer | | |
| ④ | Ball | | - |

| Item No. | Slide Length | Travel Length | A | B | C | D | Load Rating (kg / pair) | Load Rating (lbs / pair) | Weight (g / pair) | Box (pcs) |
|--------------|-------------------|-------------------|-----|-----|-----|-----|-------------------------|--------------------------|-------------------|-----------|
| ESR-2031-200 | 200 (7-7/8") | 229 (9-1/64") | - | - | 145 | 160 | 17 | 37 | 400 | 48 |
| ESR-2031-250 | 250 (9-27/32") | 269 (10-19/32") | | 195 | 210 | 500 | | | | |
| ESR-2031-300 | 300 (11-13/16") | 329 (12-61/64") | | 160 | 245 | 600 | | | | |
| ESR-2031-350 | 350 (13-25/32") | 369 (14-17/32") | | 210 | 295 | 700 | | | | |
| ESR-2031-400 | 400 (15-3/4") | 429 (16-57/64") | | 260 | 345 | 800 | | | | |
| ESR-2031-450 | 450 (17-23/32") | 469 (18-15/32") | 205 | 310 | 395 | 410 | 16 | 35 | 900 | |
| ESR-2031-500 | 500 (19-11/16") | 529 (20-53/64") | 230 | 360 | 445 | 460 | 13 | 28 | 1000 | |

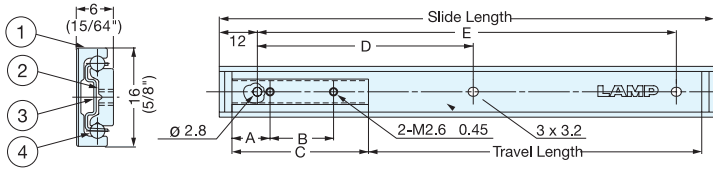
ALUMINUM MINI GUIDE



ARL2-16



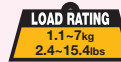
- Thin profile for various applications
- Light-weight aluminum body



| No. | Part Name | Material | Finish |
|-----|------------|----------|----------|
| ① | Outer Rail | Aluminum | Anodized |
| ② | Inner Rail | | |
| ③ | Retainer | Steel | Plain |
| ④ | Steel Ball | | - |

| Item No. | Slide Length | Travel Length | A | B | C | D | E | Load Rating | Load Rating | Load Rating | Load Rating | Weight (g/piece) | Box (pcs) |
|-------------|----------------|-----------------|----|----|----|----|----|-------------|--------------|-------------|--------------|------------------|-----------|
| | | | | | | | | (kg / pair) | (lbs / pair) | (kg / pair) | (lbs / pair) | | |
| ARL2-16-70 | 70 (2-3/4") | (30) (1-11/64") | 5 | 18 | 28 | - | 46 | 2 | 4.4 | 0.8 | 1.7 | 13.5 | 100 |
| ARL2-16-100 | 100 (3-15/16") | (52) (2-3/64") | 10 | 19 | 39 | 38 | 76 | 5 | 11 | 1.8 | 4 | 18.0 | |
| ARL2-16-150 | 150 (5-29/32") | (99) (3-57/64") | | | | | | | | | | 63 | |

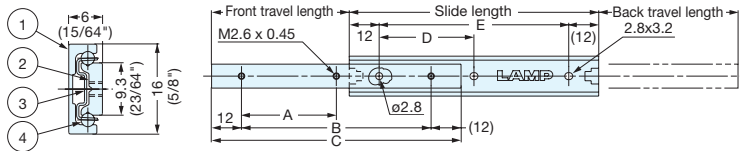
ALUMINUM MINI SLIDE (2-WAY)



ARW2-16



- Two-way travel
- Thin profile for various applications
- Light-weight aluminum body
- Designed without positive stop for ease of assembly
*Please add secondary stopper if necessary.



| No. | Part Name | Material | Finish |
|-----|------------|----------|----------|
| ① | Outer Rail | Aluminum | Anodized |
| ② | Inner Rail | | |
| ③ | Retainer | Steel | Plain |
| ④ | Steel Ball | | - |

| Item No. | Slide Length | Front Travel Length | Back Travel Length | A | B | C | D | E | Load Rating | Load Rating | Load Rating | Load Rating | Weight (g/piece) | Box (pcs) |
|-------------|----------------|---------------------|--------------------|----|-----|-----|----|-----|-------------|-------------|-------------|-------------|------------------|-----------|
| | | | | | | | | | (kg/pair) | (lbs/pair) | (kg/pair) | (lbs/pair) | | |
| ARW2-16-70 | 70 (2-3/4") | (30) (1-11/64") | (30) (1-11/64") | - | 46 | 70 | - | 46 | 3 | 6.6 | 1.1 | 2.4 | 15.5 | 100 |
| ARW2-16-100 | 100 (3-15/16") | (40) (1-37/64") | (40) (1-37/64") | 38 | 76 | 100 | 38 | 76 | 5 | 11 | 2 | 4.4 | 21.5 | |
| ARW2-16-150 | 150 (5-29/32") | (79) (3-7/64") | (79) (3-7/64") | 63 | 129 | 150 | 63 | 126 | 7 | 15.4 | 3.1 | 6.8 | 29.5 | |

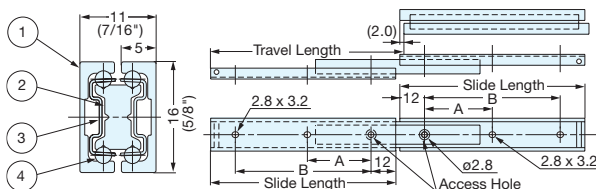
ALUMINUM MINI SLIDE



AR3-16



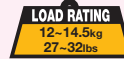
- Full extension
- Positive stop
- Thin profile for various applications
- Light-weight aluminum body



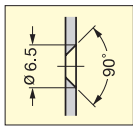
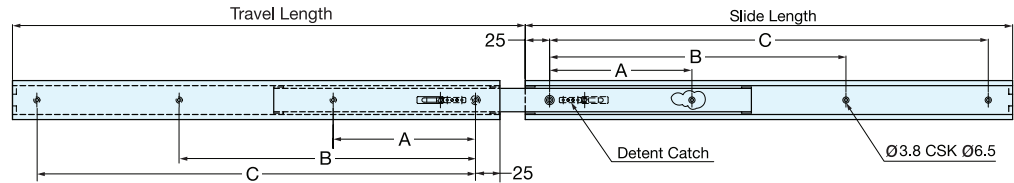
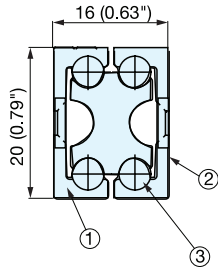
| No. | Part Name | Material | Finish |
|-----|------------|----------|----------|
| ① | Outer Rail | Aluminum | Anodized |
| ② | Inner Rail | | |
| ③ | Retainer | Steel | Plain |
| ④ | Steel Ball | | - |

| Item No. | Slide Length | Travel Length | A | B | Load Rating (kg / pair) | Load Rating (lbs / pair) | Weight (g / piece) | Box (pcs) |
|------------|----------------|--------------------|----|-----|-------------------------|--------------------------|--------------------|-----------|
| AR3-16-80 | 80 (3-9/64") | (77) (3-1/32") | - | 56 | 2 | 4.4 | 31.5 | 50 |
| AR3-16-100 | 100 (3-15/16") | (117) (4-19/32") | 38 | 76 | 3 | 6.6 | 36.0 | |
| AR3-16-150 | 150 (5-29/32") | (151) (5-15/16") | 63 | 126 | 4 | 8.8 | 55.0 | |

FULL EXTENSION SLIDE (W/HOLD-OUT DETENT)



AR3-K



Hole Dimension (Outer Rail)

- Full extension
- Positive stop
- Non-handed
- Hold-out detent

25.4mm=1"

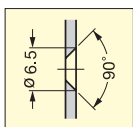
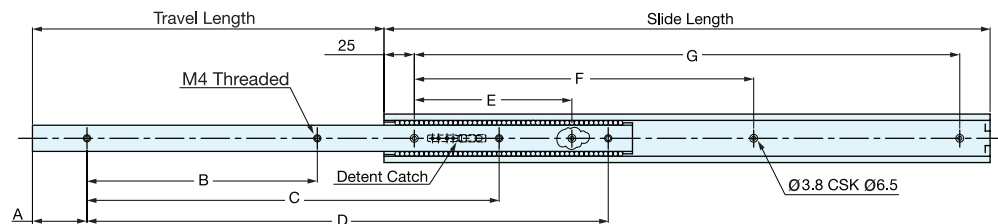
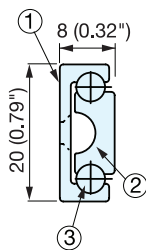
| No. | Part | Material | Finish |
|-----|------------|----------|----------------|
| ① | Outer Rail | Aluminum | White Anodized |
| ② | Inner Rail | | |
| ③ | Balls | Steel | - |

| Item No. | Slide Length | Travel Length | A | B | C | Load Rating (kg/pair) | Weight (g) | Box (pcs) |
|----------|-------------------|-------------------|-----|-----|-----|-----------------------|------------|-----------|
| AR3-K200 | 200 (7-7/8") | 214 (8-53/64") | 150 | - | - | 14.5 (32 lbs) | 133 | 30 |
| AR3-K300 | 300 (11-13/16") | 314 (12-23/64") | 130 | 250 | - | 14 (31 lbs) | 199 | |
| AR3-K400 | 400 (15-3/4") | 414 (16-19/64") | | 350 | 350 | 13 (29 lbs) | 265 | |
| AR3-K500 | 500 (19-11/16") | 514 (20-15/64") | | 450 | 450 | 12 (27 lbs) | 330 | |

3/4 EXTENSION SLIDE (W/HOLD-OUT DETENT)



AR2-K



Hole Dimension (Outer Rail)

- 3/4 extension
- Positive stop
- Non-handed
- Hold-out detent

25.4mm=1"

| No. | Part | Material | Finish |
|-----|------------|----------|----------------|
| ① | Outer Rail | Aluminum | White Anodized |
| ② | Inner Rail | | |
| ③ | Balls | Steel | - |

| Item No. | Slide Length | Travel Length | A | B | C | D | E | F | G | Load Rating (kg/pair) | Weight (g) | Box (pcs) |
|----------|-------------------|-------------------|----|-----|-----|-----|-----|-----|-----|-----------------------|------------|-----------|
| AR2-K200 | 200 (7-7/8") | 110 (4-7/16") | 25 | 60 | 160 | - | 150 | - | - | 18 (40 lbs) | 68 | 50 |
| AR2-K300 | 300 (11-13/16") | 170 (6-11/16") | 45 | 100 | 230 | - | 130 | 250 | - | 16.5 (36 lbs) | 81 | |
| AR2-K400 | 400 (15-3/4") | 230 (9-1/16") | 45 | 150 | 270 | 330 | 130 | 280 | 350 | 15 (35 lbs) | 134 | |
| AR2-K500 | 500 (19-11/16") | 290 (11-27/64") | 45 | 190 | 340 | 430 | 130 | 280 | 450 | 13 (30 lbs) | 166 | |

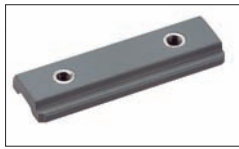
MINI GUIDE BLOCK & RAIL



MRS20, MR-20CS

DRAWER SLIDES

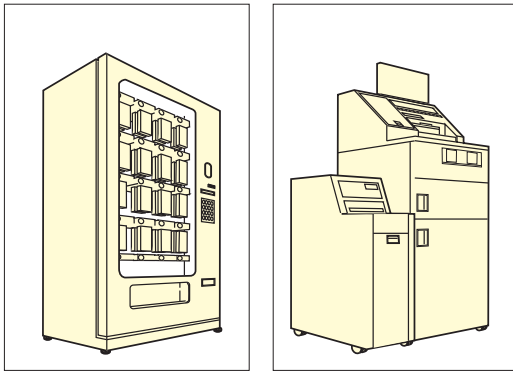
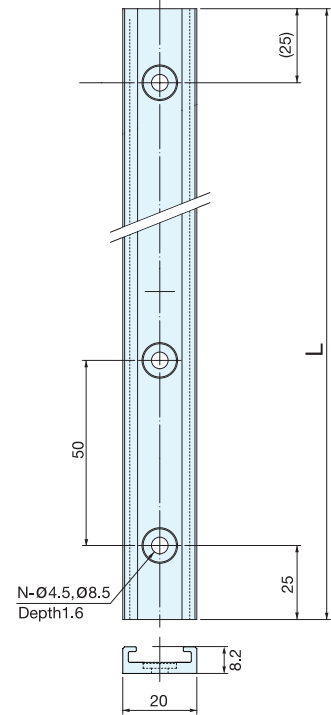
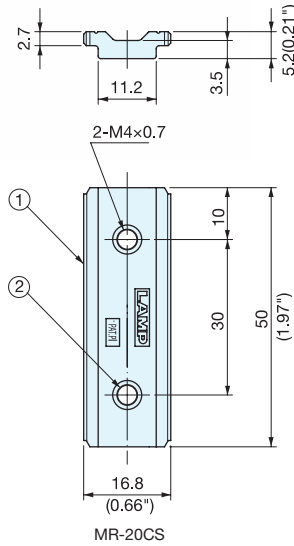
MINI GUIDE BLOCKS & RAILS



MR-20CS



- Perfect for small stroke application.
- No grease needed.



Installation

25.4mm=1"

| Item No. | L | N | Weight (g) | Box (pcs) |
|------------|------------------|----|------------|-----------|
| MRS20-100 | 100 (3-15/16") | 2 | 20 | 200 |
| MRS20-200 | 200 (7-7/8") | 4 | 40 | |
| MRS20-400 | 400 (15-3/4") | 8 | 80 | |
| MRS20-800 | 800 (31-1/2") | 16 | 160 | |
| MRS20-2000 | 2000 (78-3/4") | 40 | 400 | |

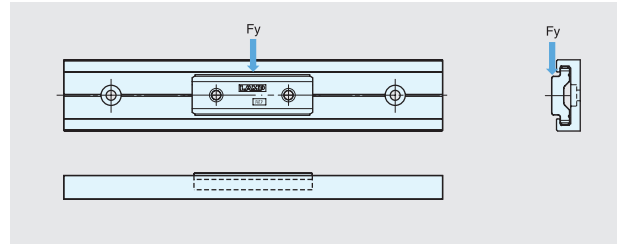
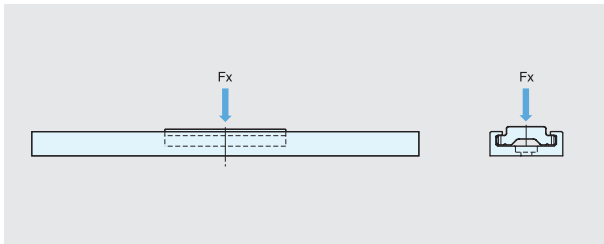
| Material | Finish |
|----------|----------|
| Aluminum | Anodized |

*Both ends are not anodized.

| No. | Material | Finish |
|-----|------------------------|--------|
| ① | Polyethylene (UL 94HB) | Grey |
| ② | 304 Stainless Steel | Plain |

| Item No. | Weight (g) | Box (pcs) | Carton(pcs) |
|----------|------------|-----------|-------------|
| MR-20CS | 7 | 50 | 1000 |

MRS 20, MR-20CS LOAD RATING INFORMATION



| | |
|---------------------------|-----------------------|
| Horizontal Static Load Fx | 30.6 kgf (67.5 lbs) |
| Vertical Static Load Fy | 17.8 kgf (39.2 lbs) |

◆ Reduction Factor

Certain reduction needs to be applied depending on application or environment.
 Low speed / Low operation frequency = 70% to 100% of Load Rating
 Moderate speed / High operation frequency = 35% to 65% of Load Rating
 High operation frequency with Vibration & Shocks = 10% to 30% of Load Rating

GUIDE BLOCK & RAIL



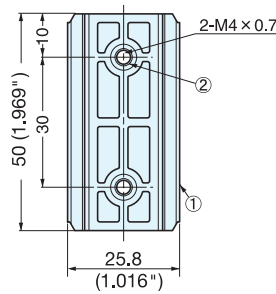
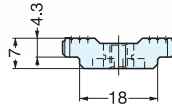
MRS30, MR-50C



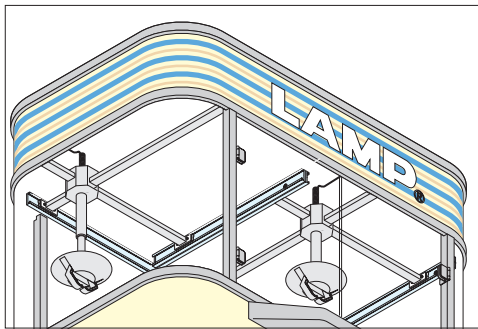
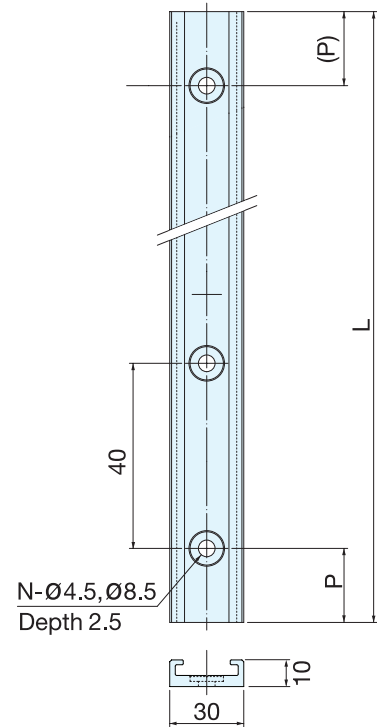
MR-50C



- Perfect for small stroke application.
- No grease needed.



MR-50C



Installation

25.4mm=1"

| Item No. | L | P | N | Weight (g) | Box (pcs) |
|------------|------------------|----|----|------------|-----------|
| MRS30-100 | 100 (3-15/16") | 10 | 3 | 39 | 200 |
| MRS30-200 | 200 (7-7/8") | 20 | 5 | 79 | 100 |
| MRS30-400 | 400 (15-3/4") | | 10 | 159 | 50 |
| MRS30-800 | 800 (31-1/2") | | 20 | 312 | 40 |
| MRS30-2000 | 2000 (78-3/4") | | 50 | 790 | 15 |

| Material | Finish |
|----------|----------|
| Aluminum | Anodized |

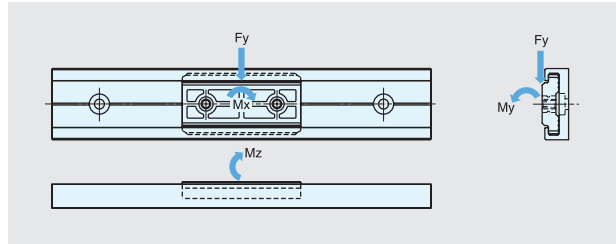
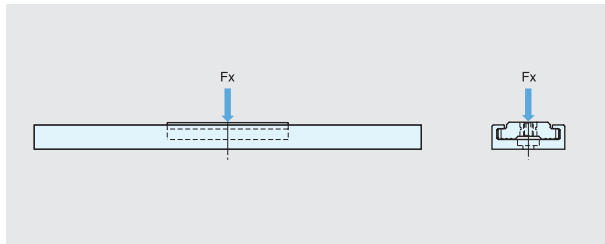
*Both ends are not anodized.

| No. | Material | Finish |
|-----|------------------------|--------|
| ① | Polyethylene (UL 94HB) | Grey |
| ② | 304 Stainless Steel | Plain |

| Item No. | Weight (g) | Box (pcs) | Carton (pcs) |
|----------|------------|-----------|--------------|
| MR-50C | 7 | 50 | 1000 |

MRS 30, MR-50C LOAD RATING INFORMATION

Dynamic Friction Coefficient:1

 Maximum PV (Pressure (kgf-mm²) x Velocity (m/min.))=3.06


| | |
|----------------------------|-----------------------------|
| Horizontal Static Load Fx | 26 kgf (57.2 lbs) |
| Vertical Static Load Fy | 15 kgf (33 lbs) |
| Vertical Dynamic Load Mx | 25 kgf-cm (21.6 lbs-in) |
| Horizontal Dynamic Load My | 12.5 kgf-cm (10.8 lbs-in) |
| Horizontal Dynamic Load Mz | 12.5 kgf-cm (10.8 lbs-in) |

◆ Reduction Factor

Certain reduction needs to be applied depending on application or environment.

Low speed / Low operation frequency = 70% to 100% of Load Rating

Moderate speed / High operation frequency = 35% to 65% of Load Rating

High operation frequency with Vibration & Shocks = 10% to 30% of Load Rating