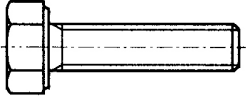
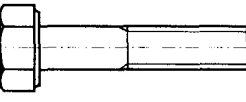
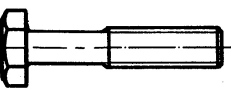

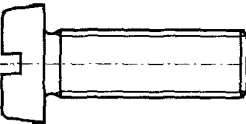
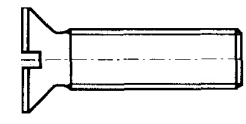
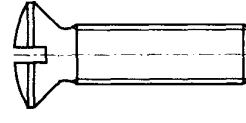
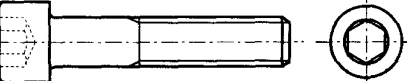
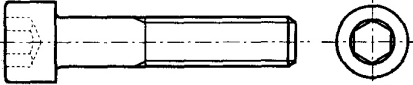

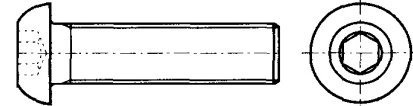
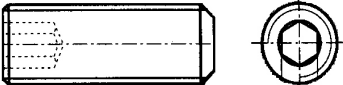
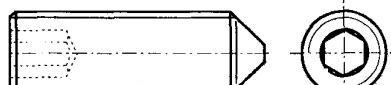

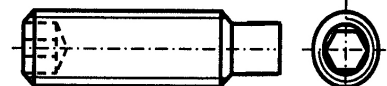
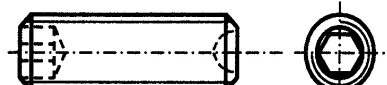
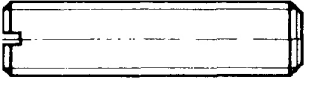
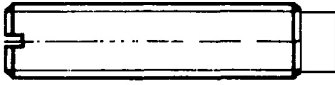
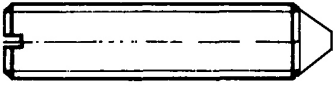

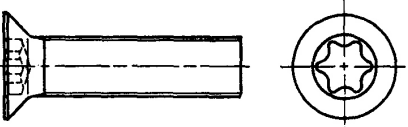
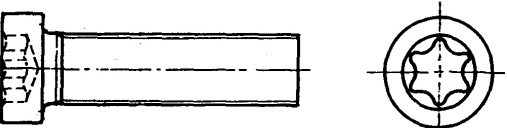
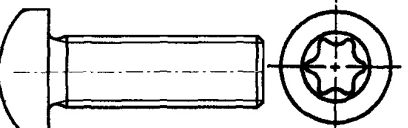



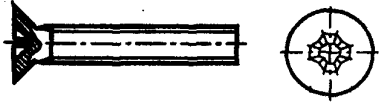
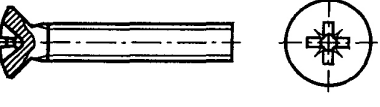

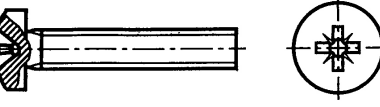
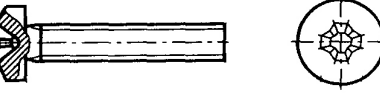
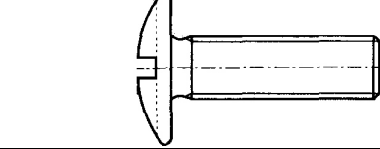
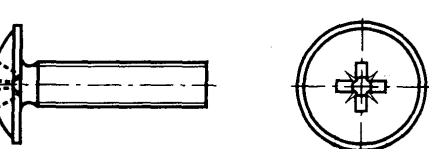
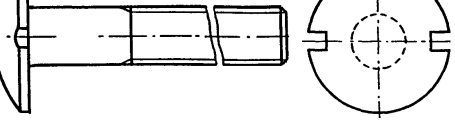
BOLTS ,
SCREWS,
WASHERS,
AND MORE.....

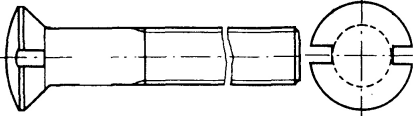
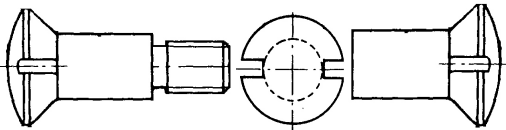




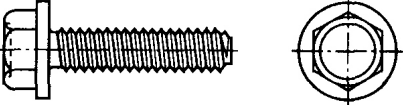
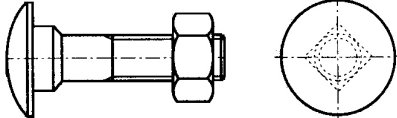
J.LANFRANCO INC.



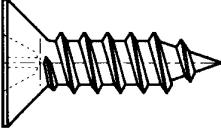

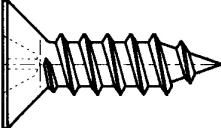


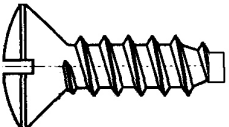
	<p>VHH</p>	<p>HEX HEAD CAP SCREW- FULLY THREADED</p> <p>NF EN 24017 ISO 4017 NF E25-114 NF E27-311 DIN 933</p>
	<p>VHM</p>	<p>HEX HEAD CAP SCREW- PARTIALLY THREADED</p> <p>NF EN 24014 ISO 4014 NF E25-112 NF E27-311 DIN 931</p>
	<p>VHR</p>	<p>HEX HEAD CAP SCREW- PARTIALLY THREADED- WITH REDUCED BOLT SHANK</p> <p>NF EN 24015 ISO 4015 NF E25-113 NF E27-311</p>
	<p>VCS</p>	<p>SLOTTED CHEESE HEAD SCREW</p> <p>NF EN ISO 1207 NF E25-127 NF E27-115 DIN 84</p>
	<p>CLS</p>	<p>SLOTTED PAN HEAD SCREW</p> <p>NF EN ISO 1580 NF E25-128 NF E27-116 DIN 85</p>
	<p>VFS</p>	<p>SLOTTED FLAT HEAD SCREW</p> <p>NF EN ISO 2009 NFE 25-123 DIN 963</p>
	<p>FBS</p>	<p>SLOTTED OVAL HEAD SCREW</p> <p>NF EN ISO 2010 NF E25-124 DIN 964</p>
	<p>CHC</p>	<p>HEX SOCKET CAP SCREW</p> <p>NF EN ISO 4762 NF E25-125 DIN 912</p>

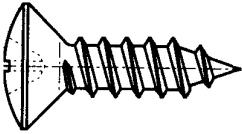
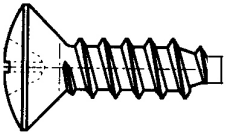
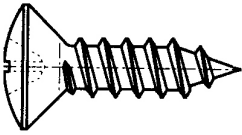
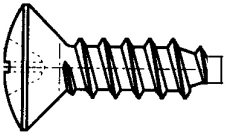
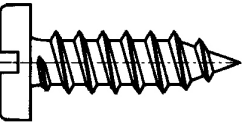
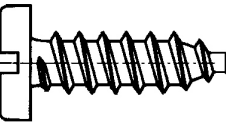
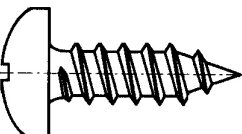
	<p>CHCB</p>	<p>HEX SOCKET CAP SCREW- LOW HEAD STYLE DIN 7984</p>
	<p>FHC</p>	<p>COUNTERSUNK FLAT HEAD HEX SOCKET CAP SCREWS NF EN ISO 10642 NF E25-106 NF E27-160 DIN 7991</p>
	<p>CBPHC</p>	<p>BUTTON HEAD SOCKET CAP SCREW NF EN ISO 7380 NF E25-126</p>
	<p>HCPL</p>	<p>HEX SOCKET SET SCREW WITH FLAT POINT NF E27-180 DIN 913</p>
	<p>HCPO</p>	<p>HEX SOCKET SET SCREW WITH CONE POINT NF E27-181 DIN 914</p>
	<p>HCTC</p>	<p>HEX SOCKET SET SCREW WITH SHORT DOG POINT NF E27-182</p>
	<p>HCTL</p>	<p>HEX SOCKET SET SCREW WITH DOG POINT NF E27-182 DIN 915</p>
	<p>HCCR</p>	<p>HEX SOCKET SET SCREW WITH CUP POINT NF E27-183 DIN 916</p>

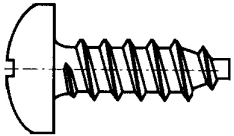
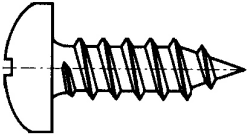
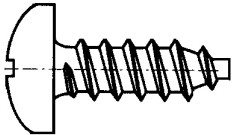


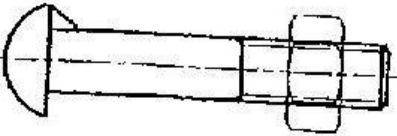
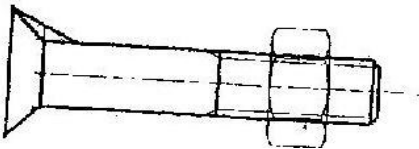
	<p>STBP</p>	<p>SLOTTED SET SCREW WITH FLAT POINT NF EN ISO 24766 ISO 4766 NF E25-160</p>
	<p>STTL</p>	<p>SLOTTED SET SCREW WITH DOG POINT NF EN 27435 ISO 7435 NF E25-162</p>
	<p>STPO</p>	<p>SLOTTED SET SCREW WITH CONE POINT NF EN 27434 ISO 7434 NF E25-161</p>
	<p>STCR</p>	<p>SLOTTED SET SCREW WITH CUP POINT NF EN 27436 ISO 7436 NF E25-163</p>
	<p>VFX</p>	<p>HEXALOBULAR RECESSED COUNTERSUNK HEAD SCREW (TORX) NF E25-107</p>
	<p>CZX</p>	<p>HEXALOBULAR SOCKET CHEESE HEAD SCREW (TORX) NF E25-111</p>
	<p>CBLX</p>	<p>HEXALOBULAR SOCKET BUTTON HEAD SCREW (TORX) NF E25-109 DIN 7985</p>
	<p>VFZ</p>	<p>COUNTERSUNK FLAT HEAD SCREW CROSS-SHAPED Z (POZIDRIVE) NF EN ISO 7046-1 NF E25-119-1</p>

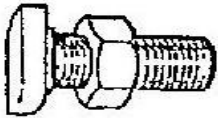
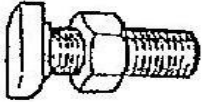
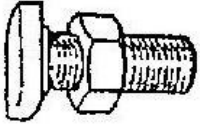
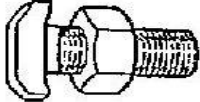
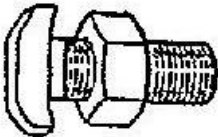
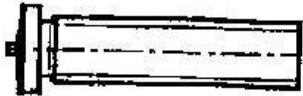
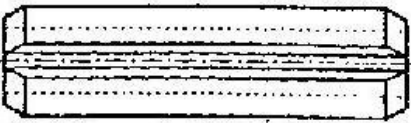
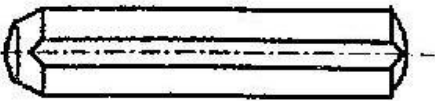
	<p>VFH</p>	<p>PHILLIPS DRIVE FLAT HEAD SCREW CROSS-SHAPED H</p> <p>NF EN ISO 7046-1 NF E25-119-1 DIN 965</p>
	<p>VBZ</p>	<p>POZIDRIVE OVAL HEAD SCREW CROSS-SHAPED Z</p> <p>NF EN ISO 7047 NF E25-120 DIN 966</p>
	<p>VBH</p>	<p>PHILLIPS DRIVE OVAL HEAD SCREW CROSS-SHAPED H</p> <p>NF EN ISO 7047 NF E25-120 DIN 966</p>
	<p>CBZ</p>	<p>POZIDRIVE RAISED CHEESE HEAD CROSS-SHAPED Z</p> <p>NF EN ISO 7045 NF E25-121 DIN 7985</p>
	<p>CBH</p>	<p>PHILLIPS DRIVE RAISED CHEESE HEAD CROSS-SHAPED H</p> <p>NF EN ISO 7045 NF E25-121 DIN 7985</p>
	<p>RLS</p>	<p>SLOTTED TRUSS HEAD SCREW</p> <p>NF E25-129</p>
	<p>RLZ</p>	<p>POZIDRIVE TRUSS HEAD SCREW CROSS-SHAPED Z (Pozidriv)</p> <p>NF E25-122</p>
	<p>TCR</p>	<p>NOTCHED CHEESE HEAD MACHINE SCREW CR</p> <p>NF F03-005</p>




	<p>TFB</p>	<p>COUNTERSUNK NOTCHED HEAD MACHINE SCREW FB NF F03-004</p>
	<p>TFBP</p>	<p>NOTCHED RAISED COUNTERSUNK HEAD SCREW NUTS FBP NF F03-006</p>
	<p>TRM</p>	<p>SLOTTED PAN HEAD SELF TAPPING SCREW BN1014</p>
	<p>VATCBX</p>	<p>HEXALOBULAR BUTTON HEAD SELF TAPPING SCREW (TORX) DIN 7981</p>
	<p>TFM</p>	<p>SLOTTED FLAT HEAD SELF TAPPING SCREW BN1015</p>
	<p>VHATK</p>	<p>SELF DRILLING HEX HEAD SCREW DIN 7504 K</p>
	<p>VHAT</p>	<p>HEX HEAD THREAD ROLLING SCREWS WITH FLANGE DIN 7500</p>
	<p>TRCC</p>	<p>TRUSS HEAD SQUARE NECK BOLT NF E27-351 DIN 603</p>

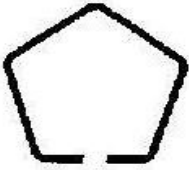
	<p>TFSC</p>	<p>SLOTTED FLAT HEAD SELF TAPPING SCREW</p> <p>NF EN ISO 1482 NF E25-660</p>
	<p>TFSF</p>	<p>SLOTTED FLAT HEAD SELF TAPPING SCREW TYPE F</p> <p>NF EN ISO 1482 NF E25-660</p>
	<p>TFZC</p>	<p>POZIDRIVE FLAT HEAD SELF TAPPING SCREW CROSS-SHAPED Z TYPE C</p> <p>NF EN ISO 7050 NF E25-656</p>
	<p>TFZF</p>	<p>POZIDRIVE FLAT HEAD SELF TAPPING SCREW CROSS-SHAPED Z TYPE F</p> <p>NF EN ISO 7050 NF E25-656</p>
	<p>TFHC</p>	<p>POZIDRIVE FLAT HEAD SELF TAPPING SCREW CROSS-SHAPED H TYPE C</p> <p>NF EN ISO 7050 NF E25-656</p>
	<p>TFHF</p>	<p>POZIDRIVE FLAT HEAD SELF TAPPING SCREW CROSS-SHAPED H TYPE F</p> <p>NF EN ISO 7050 NF E25-656</p>
	<p>TFBSC</p>	<p>SLOTTED OVAL HEAD SELF TAPPING SCREW TYPE C</p> <p>NF EN ISO 1483 NF E25-661</p>
	<p>TFBSF</p>	<p>SLOTTED OVAL HEAD SELF TAPPING SCREW TYPE F</p> <p>NF EN ISO 1483 NF E25-661</p>

	<p>TFBZC</p>	<p>POZIDRIVE OVAL HEAD SELF TAPPING SCREW CROSS-SHAPED Z TYPE C</p> <p>NF EN ISO 7051 NF E25-657</p>
	<p>TFBZF</p>	<p>POZIDRIVE OVAL HEAD SELF TAPPING SCREW CROSS-SHAPED Z TYPE F</p> <p>NF EN ISO 7051 NF E25-657</p>
	<p>TFBHC</p>	<p>POZIDRIVE OVAL HEAD SELF TAPPING SCREW CROSS-SHAPED H TYPE C</p> <p>NF EN ISO 7051 NF E25-657</p>
	<p>TFBHF</p>	<p>POZIDRIVE OVAL HEAD SELF TAPPING SCREW CROSS-SHAPED H TYPE F</p> <p>NF EN ISO 7051 NF E25-657</p>
	<p>TLSC</p>	<p>SLOTTED PAN HEAD SELF TAPPING SCREWS TYPE C</p> <p>NF EN ISO 1481 NF E25-663</p>
	<p>TLSF</p>	<p>SLOTTED PAN HEAD SELF TAPPING SCREWS TYPE F</p> <p>NF EN ISO 1481 NF E25-663</p>
	<p>TBZC</p>	<p>POZIDRIVE BUTTON HEAD SELF TAPPING SCREW CROSS-SHAPED Z TYPE C</p> <p>NF EN ISO 7049 NF E25-658</p>

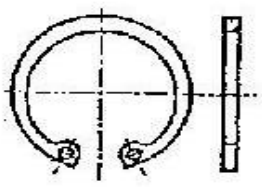

	<p>TBZF</p>	<p>POZIDRIVE BUTTON HEAD SELF TAPPING SCREW CROSS-SHAPED Z TYPE F</p> <p>NF EN ISO 7049 NF E25-658</p>
	<p>TBHC</p>	<p>POZIDRIVE BUTTON HEAD SELF TAPPING SCREW CROSS-SHAPED H TYPE C</p> <p>NF EN ISO 7049 NF E25-658</p>
	<p>TBHF</p>	<p>POZIDRIVE BUTTON HEAD SELF TAPPING SCREW CROSS-SHAPED H TYPE F</p> <p>NF EN ISO 7049 NF E25-658</p>
	<p>VBFZ</p>	<p>POZIDRIVE COUNTERSUNK FLAT HEAD WOOD SCREW CROSS-SHAPED Z</p> <p>NF E25-601</p>
	<p>VBBZ</p>	<p>POZIDRIVE RAISED COUNTERSUNK HEAD WOOD SCREW CROSS-SHAPED Z</p> <p>NF E25-602</p>
	<p>BTRE</p>	<p>ROUND HEAD BOLT FORM RE</p> <p>NFE 27-313 NUT H NFEN 24032 MATERIAL A37 CODE AC</p>
	<p>BTFE</p>	<p>FLAT HEAD NIB BOLT</p> <p>NFE 27-314 NUT H NFEN 24032 MATERIAL A37 CODE AC</p>

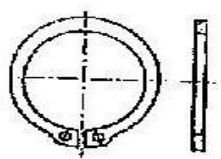
	<p>H151</p>	<p>HAMMER HEAD BOLT- TRACK HALFEN 20X12</p>
	<p>H152</p>	<p>HAMMER HEAD BOLT-TRACK HALFEN 28X15</p>
	<p>H155</p>	<p>HAMMER HEAD BOLT-TRACK HALFEN 38X17</p>
	<p>H168</p>	<p>HOOK HEAD BOLT- TRACK HALFEN 40X22</p>
	<p>H169</p>	<p>HOOK HEAD BOLT-TRACK HALFEN 50X30</p>
	<p>CDF</p>	<p>WELDINGSTUDS TYPE SIFI DIN 32501 TYPE 1 NFE 25143</p>
	<p>GEE</p>	<p>SPRING TYPE STRAIGHT PINS NF EN ISO 8752 NF E25-773</p>
	<p>GCG07</p>	<p>GROOVED PINS. FULL LENGTH PARALLED GROOVED, WITH CHAMFER (G07) NF EN ISO 8740 NF E25-772</p>

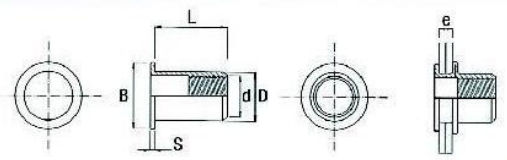

	<p>GCG06</p>	<p>GROOVED PINS. HALF-LENGTH REVERSE-TAPER GROOVED (G06)</p> <p>NF EN ISO 8742 NF E25-762</p>
	<p>GCG05</p>	<p>GROOVED PINS. HALF-LENGTH REVERSE-TAPER GROOVED (G05)</p> <p>NF EN ISO 8741 NF E25-762</p>
	<p>GFV</p>	<p>SPLIT PINS- COTTER PINS</p> <p>NF EN ISO 1234 NF E 27-614 DIN 94</p>
	<p>FEA</p> 	<p>TAB WASHERS WITH LONG TAB (SQUARE)</p> <p>NF E27-614 DIN 93</p>
	<p>FDA</p> 	<p>TAB WASHERS WITH LONG TAB (STRAIGHT)</p> <p>NF E27-614</p>
	<p>FDL</p>	<p>TAB WASHERS WITH LONG TAB (STRAIGHT)</p> <p>NF E27-614 DIN 93</p>
	<p>FER</p> 	<p>RECTANGULAR TAB WASHER</p> <p>NF E 27-614</p>

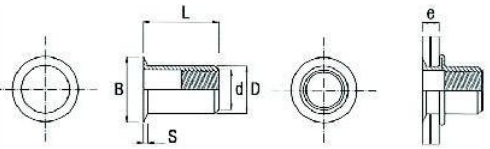

	<p>CER</p>	<p>CERCLAM TAB WASHER</p>
---	-------------------	---------------------------


--	--	--

	<p>AEI</p> 	<p>RETAINING RING FOR SHAFTS- CIRCLIPS</p> <p>NF E22-163 DIN 471</p>
---	---	--

	<p>AEE</p>	<p>RETAINING RING FOR SHAFTS- CIRCLIPS</p> <p>NF E 22-163 DIN 471</p>
--	-------------------	---

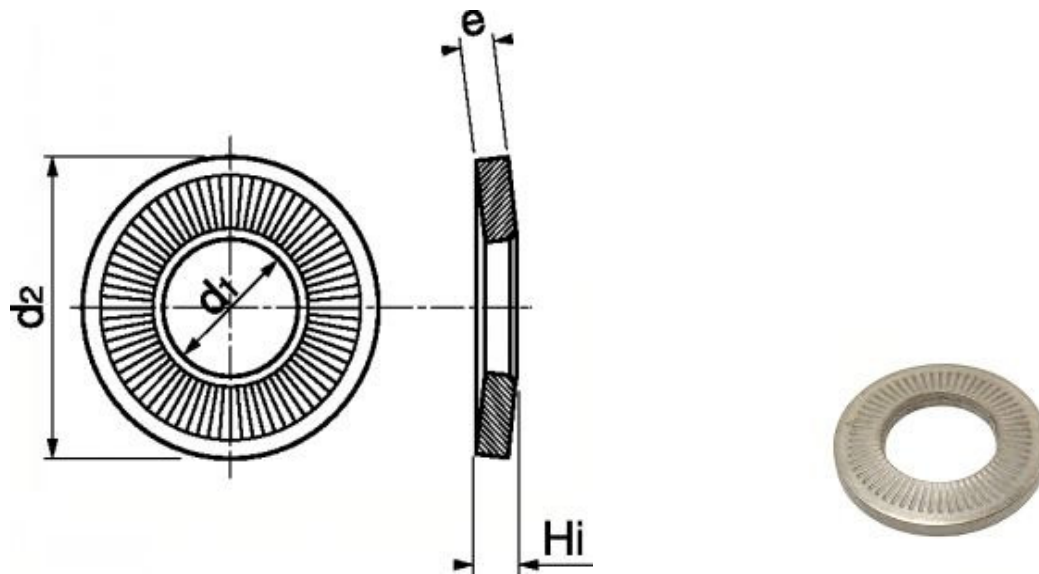
	<p>PTFO</p> 	<p>RIVET NUT Ref : PTFO – TS16949</p>
---	---	---

	<p>PTKO</p> 	<p>RIVET NUT Ref : PTKO – TS16949</p>
---	--	---

	<p>PTRO</p> 	<p>RIVET NUT Ref : PTRO – TS16949</p>
---	--	---

	<p>PVFC</p>	<p>RIVET NUT Ref : PVFC – ISO 9001</p>
	<p>PTROM</p>	<p>RIVET NUT Ref : PTROM – TS16949</p>
	<p>PTFOM</p>	<p>RIVET NUT Ref : PTFOM – TS16949</p>
	<p>C4800</p>	<p>CAGE NUT C 4800</p>
	<p>NU</p>	<p>NUT RETAINER TYPE U</p>
	<p>NJ</p>	<p>NUT RETAINER TYPE J</p>
	<p>NJ</p>	<p>butee</p>

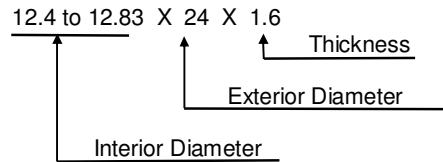
CONICAL STRIATED WASHER
Code CSC
NFE 25511A



	CODES	DIMENSIONS
3	CSCM030	3.1 to 3.35 X 6 X 0.6
4	CSCM040	4.1 to 4.40 X 8 X 0.8
5	CSCM050	5.10 to 5.4 X 10 X 1
6	CSCE060	6.10 to 6.40 X 12 X 1.2
6	CSCM060	6.10 to 6.40 X 18 X 1.4
8	CSCE080	8.2 to 8.56 X 14 X 1.4
8	CSCM080	8.2 to 8.56 X 16 X 1.4
10	CSCM100	10.2 to 10.56 X 20 X 1.6
12	CSCM120	12.4 to 12.83 X 24 X 1.6
14	CSCM140	14.4 to 14.83 X 24 X 1.6
16	CSCM160	16.4 to 16.83 X 32 X 2.5

CONICAL STRIATED WASHER
Code CSC
NFE 25511A

DIMENSIONS EXAMPLE:



MATERIAL:

Steel:	Code AX
Stainless Steel A2:	Code ZE
Stainless Steel A4:	Code ZH

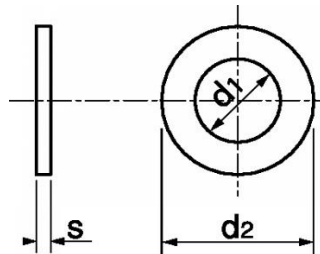
SURFACE TREATMENT FOR STEEL WASHERS:

Zinc White, Passivated:	ZO
Zinc White (zn7/bfe) + Lanthane:	ZL
Zinc Black:	ZA
Zinc Black Reinforced:	NR
Phosphatizing:	TO
Geomet:	GE
Cadmium White:	CD

SELF COLOR:

BT

FLAT WASHER
Code RP GRADE A
NFE 25514



If there are no standard indications in the order :
 If grade A is indicated in the order :
 If grade C is indicated in the order :
 If hardness 160HV is indicated in the order :
 The stainless steel washers are under standard

NFE 25-513
 NFE 25-514
 NFE 25-513
 NFE 25-514
 NFE 25-514

D	CODES	DIMENSIONS
1.6	RPZ016	1.7 to 1.84 X 3.5 X 0.5
	RPM016	1.7 to 1.84 X 5 X 0.5
	RPL016	1.7 to 1.84 X 6 X 0.5
2	RPZ020	2.2 to 2.34 X 4 X 0.5
	RPM020	2.2 to 2.34 X 5.5 X 0.5
	RPL020	2.2 to 2.34 X 7 X 0.5
2.5	RPZ025	2.7 to 2.84 X 5 X 0.5
	RPM025	2.7 to 2.84 X 7 X 0.5
	RPL025	2.7 to 2.84 X 10 X 0.5
3	RPZ030	3.2 to 3.38 X 6 X 0.8
	RPM030	3.2 to 3.38 X 8 X 0.8

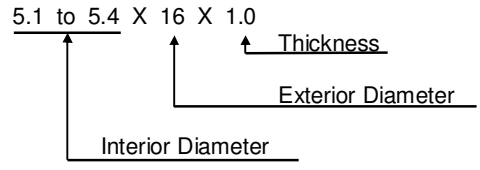
D	CODES	DIMENSIONS
12	RPZ120	13 to 13.27 X 24 X 2.5
	RPM120	13 to 13.27 X 27 X 2.5
	RPL120	13 to 13.27 X 32 X 2.5
14	RPZ140	15 to 15.27 X 27 X 2.5
	RPM140	15 to 15.27 X 30 X 2.5
	RPL140	15 to 15.27 X 36 X 2.5
16	RPZ160	17 to 17.27 X 30 X 3
	RPM160	17 to 17.27 X 32 X 3
	RPL160	17 to 17.27 X 40 X 3
18	RPZ180	19 to 19.33 X 32 X 3
	RPM180	19 to 19.33 X 36 X 3

	RPL030	3.2 to 3.38 X 12 X 0.8
4	RPZ040	4.3 to 4.48 X 8 X 0.8
	RPM040	4.3 to 4.48 X 10 X 0.8
	RPL040	4.3 to 4.48 X 14 X 0.8
5	RPZ050	5.3 to 5.48 X 10 X 1.0
	RPM050	5.3 to 5.48 X 12 X 1.0
	RPL050	5.3 to 5.48 X 16 X 1.0
6	RPZ060	6.4 to 6.62 X 12 X 1.2
	RPM060	6.4 to 6.62 X 14 X 1.2
	RPL060	6.4 to 6.62 X 18 X 1.2
7	RPZ070	7.4 to 7.62 X 14 X 1.5
	RPM070	7.4 to 7.62 X 16 X 1.5
	RPL070	7.4 to 7.62 X 20 X 1.5
8	RPZ080	8.4 to 8.62 X 16 X 1.5
	RPM080	8.4 to 8.62 X 18 X 1.5
	RPL080	8.4 to 8.62 X 22 X 1.5
10	RPZ100	10.5 to 10.77 X 20 X 2
	RPM100	10.5 to 10.77 X 22 X 2
	RPL100	10.5 to 10.77 X 27 X 2

	RPL180	19 to 19.33 X 45 X 3
20	RPZ200	21 to 21.33 X 36 X 3
	RPM200	21 to 21.33 X 40 X 3
	RPL200	21 to 21.33 X 50 X 3
22	RPZ220	23 to 23.33 X 40 X 3
	RPM220	23 to 23.33 X 45 X 3
	RPL220	23 to 23.33 X 55 X 3
24	RPZ240	25 to 25.33 X 45 X 4
	RPM240	25 to 25.33 X 50 X 4
	RPL240	25 to 25.33 X 60 X 4
27	RPZ270	28 to 28.33 X 48 X 4
	RPM270	28 to 28.33 X 55 X 4
	RPL270	28 to 28.33 X 65 X 4
30	RPZ300	31 to 31.39 X 52 X 4
	RPM300	31 to 31.39 X 60 X 4
	RPL300	31 to 31.39 X 70 X 4

FLAT WASHER
Code RP GRADE A
NFE 25514

DIMENSIONS EXAMPLE:



MATERIAL:

Steel:	Code	AV
Stainless Steel A2:	Code	ZE
Stainless Steel A4:	Code	ZH

SURFACE TREATMENT FOR STEEL WASHERS:

Zinc White, Passivated:	ZO
Zinc White (zn7/bfe) + Lanthane:	ZL
Zinc Black:	ZA
Zinc Black Reinforced:	NR
Phosphatizing:	TO
Geomet:	GE
Cadmium White:	CD

STAINLESS STEEL SURFACE TREATMENT:

Passivation:	PA
--------------	----

SELF COLOR:

BT

GROWER WASHER W SERIES NFE 25515

Code RGW

Replacing NFE 27-622.

Dimensions identical to NFE 27-622 except the washer diameter 4 that has a thickness of 3mm with NFE 27-622.

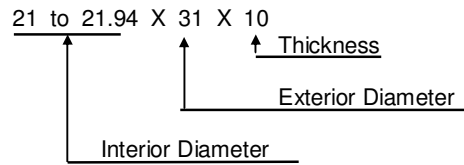
2 models exist: Pressed or not. If the order doesn't indicate, they would be non-pressed washers.



D	CODES	DIMENSIONS
3	RGW030	3.5 to 3.98 X 5.2 X 2
4	RGW040	4.5 to 4.98 X 7.3 X 2
5	RGW050	5.5 to 5.98 X 8.3 X 3
6	RGW060	6.5 to 7.08 X 10.4 X 4
7	RGW070	7.5 to 8.08 X 11.4 X 4
8	RGW080	8.5 to 9.08 X 13.4 X 5
10	RGW100	10.5 to 11.2 X 16.5 X 6
12	RGW120	13 to 13.7 X 20 X 7
14	RGW140	15 to 15.7 X 23 X 8
16	RGW160	17 to 17.7 X 25 X 8
18	RGW180	19 to 19.84 X 29 X 10
20	RGW200	21 to 21.84 X 31 X 10
22	RGW220	23 to 23.84 X 33 X 10
24	RGW240	25 to 25.84 X 37 X 12
27	RGW270	28 to 28.84 X 40 X 12

D	CODES	DIMENSIONS
30	RGW300	31 to 32 X 45 X 14
33	RGW330	34 to 35 X 48 X 14
36	RGW360	37 to 38 X 56 X 16
39	RGW390	40 to 41 X 56 X 16
42	RGW420	43 to 44 X 61 X 18
45	RGW450	46 to 47 X 64 X 18
48	RGW480	49 to 50 X 69 X 20
52	RGW520	54 to 55.2 X 74 X 20
56	RGW560	58 to 59.2 X 80 X 22
60	RGW600	62 to 63.2 X 84 X 22
64	RGW640	66 to 67.2 X 90 X 24
68	RGW680	70 to 71.2 X 94 X 24
72	RGW720	74 to 75.2 X 100 X 26
76	RGW760	78 to 79.2 X 104 X 26
80	RGW800	82 to 83.4 X 110 X 28

DIMENSIONS EXAMPLE:



MATERIAL:

Steel:	Code AX
Stainless Steel A2:	Code ZE
Stainless Steel A4:	Code ZH

SURFACE TREATMENT FOR STEEL WASHERS:

Zinc White, Passivated:	ZO
Zinc White (zn7/bfe) + Lanthane:	ZL
Zinc Black:	ZA
Zinc Black Reinforced:	NR
Phosphatizing:	TO
Geomet:	GE
Cadmium White:	CD

SELF COLOR:

BT

GROWER WASHER LIGHT SERIES**Code RGWZ****NFE 25516**

Replacing NFE 27-613.

Dimensions identical to NFE 27-613.

2 models exist: Pressed or not. If the order doesn't indicate, they would be non-pressed washers.

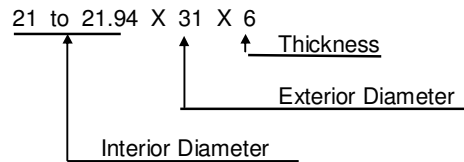


D	CODES	DIMENSIONS
3	RGWZ030	3.5 to 3.98 X 5.2 X 1.2
4	RGWZ040	4.5 to 4.98 X 7.3 X 2
5	RGWZ050	5.5 to 5.98 X 8.3 X 2
6	RGWZ060	6.5 to 7.08 X 10.4 X 2.4
7	RGWZ070	7.5 to 8.08 X 11.4 X 2.4
8	RGWZ080	8.5 to 9.08 X 13.4 X 3
10	RGWZ100	10.5 to 11.2 X 16.5 X 3.6
12	RGWZ120	13 to 13.7 X 20 X 4

D	CODES	DIMENSIONS
14	RGWZ140	15 to 15.7 X 23 X 5
16	RGWZ160	17 to 17.7 X 25 X 5
18	RGWZ180	19 to 19.84 X 29 X 6
20	RGWZ200	21 to 21.84 X 31 X 6
22	RGWZ220	23 to 23.84 X 33 X 6
24	RGWZ240	25 to 25.84 X 37 X 7
27	RGWZ270	28 to 28.84 X 40 X 7
30	RGWZ300	31 to 32 X 45 X 9

GROWER WASHER LIGHT SERIES
Code RGWZ
NFE 25516

DIMENSIONS EXAMPLE:



MATERIAL:

Steel: Code AX
 Stainless Steel A4: Code ZH
 Ask us for other materials

SURFACE TREATMENT FOR STEEL WASHERS:

Zinc White: ZO
 Zinc Black: ZA
 Zinc Black Reinforced: NR
 Phosphatizing: TO
 Geomet: GE
 Cadmium White: CD

SELF COLOR:

BT

GROWER WASHER HEAVY SERIES
Code WL
NFE 25517

Replacing NFE 27-623.

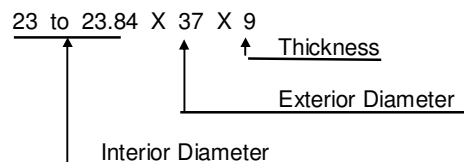
Dimensions identical to NFE 27-623.

2 models exist: Pressed or not. If the order doesn't indicate, they would be non-pressed washers.

D	CODES	DIMENSIONS
3	RGWL030	3.5 to 3.98 X 6.2 X 2
4	RGWL040	4.5 to 4.98 X 8.3 X 2.4
5	RGWL050	5.5 to 5.98 X 10.3 X 3
6	RGWL060	6.5 to 7.08 X 12.4 X 3.6
7	RGWL070	7.5 to 8.08 X 13.4 X 3.6
8	RGWL080	8.5 to 9.08 X 15.4 X 4
10	RGWL100	10.5 to 11.2 X 18.5 X 5
12	RGWL120	13 to 13.7 X 23 X 6

D	CODES	DIMENSIONS
14	RGWL140	15 to 15.7 X 25 X 6
16	RGWL160	17 to 17.7 X 29 X 7
18	RGWL180	19 to 19.84 X 31 X 7
20	RGWL200	21 to 21.84 X 35 X 9
22	RGWL220	23 to 23.84 X 37 X 9
24	RGWL240	25 to 25.84 X 39 X 9

DIMENSIONS EXAMPLE:



GROWER WASHER HEAVY SERIES
Code WL
NFE 25517

MATERIAL:

Steel: Code AX
Stainless Steel A4: Code ZH
Ask us for other materials

SURFACE TREATMENT FOR STEEL WASHERS:

Zinc White: ZO
Zinc Black: ZA
Zinc Black Reinforced: NR
Phosphatizing: TO
Geomet: GE
Cadmium White: CD

SELF COLOR:

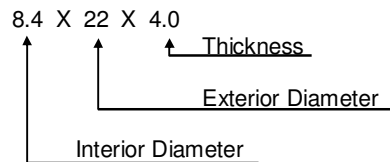
BT

**THICK FLAT WASHER
GRADE A
NFE 25518**

D	CODES	DIMENSIONS
6	RPEZ060	6.4X12X2
6	RPEL060	6.4X16X3
7	RPEZ070	7.4X14X2
7	RPEL070	7.4X18X3
8	RPEZ080	8.4X16X3
8	RPEL080	8.4X22X4
10	RPEZ100	10.5X20X3
10	RPEL100	10.5X27X4
12	RPEZ120	13X24X3.5
12	RPEL120	13X32X5
14	RPEZ140	15X30X4
14	RPEL140	15X40X5

D	CODES	DIMENSIONS
16	RPEZ160	17X32X4.5
16	RPEL160	17X45X6
18	RPEZ180	19X36X5
18	RPEL180	19X50X6
20	RPEZ200	21X40X5
20	RPEL200	21X55X6
22	RPEZ220	23X45X6
22	RPEL220	23X60X7
24	RPEZ240	25X50X6
24	RPEL240	25X65X7
27	RPEZ270	28X55X7
30	RPEZ300	31X60X7

DIMENSIONS EXAMPLE:



MATERIAL:

Steel: Code AX
 Stainless Steel A2: Code ZE
 Stainless Steel A4: Code ZH

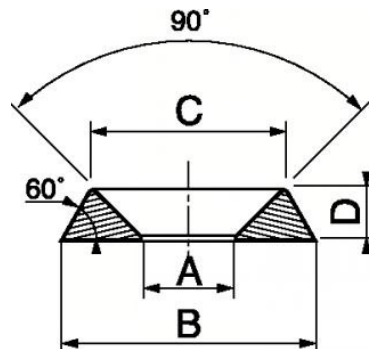
SURFACE TREATMENT FOR STEEL WASHERS:

Zinc White: ZO
 Zinc Black: ZA
 Zinc Black Reinforced: NR
 Phosphatizing: TO
 Geomet: GE
 Cadmium White: CD

SELF COLOR:

BT

**COUNTERSUNK WASHER
NFE 27-619**



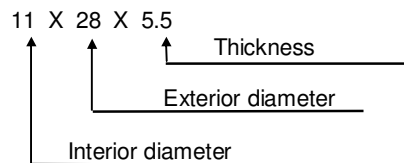
PRESSURE TYPE

MACHINED TYPE

D	CODES	DIMENSIONS
3	RCE030	3.5X9X2
4	RCE040	4.5X11X2.5
5	RCE050	5.5X14X3
6	RCE060	7X16X3.5
7	RCE070	8X20X4
8	RCE080	9X22X4.5
10	RCE100	11X28X5.5
12	RCE120	14X32X6.5
14	RCE140	16X36X7.5

D	CODES	DIMENSIONS
3	RCU030	3.5X9X2
4	RCU040	4.5X11X2.5
5	RCU050	5.5X14X3
6	RCU060	7X16X3.5
7	RCU070	8X20X4
8	RCU080	9X22X4.5
10	RCU100	11X28X5.5
12	RCU120	14X32X6.5
14	RCU140	16X36X7.5

DIMENSIONS EXAMPLE:



MATERIAL:

Steel: Code AX
 Brass: Code UY
 Copper: Code LD
 Aluminum Copper: Code US
 Bronze: Code UJ

Aluminum: Code AL

COUNTERSUNK WASHER NFE 27-619

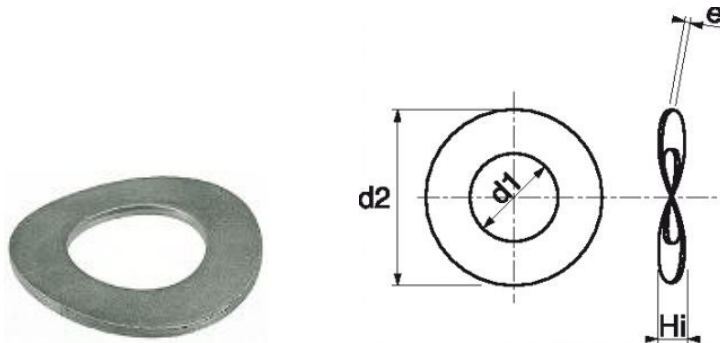
Stainless Steel A2: Code ZE
Stainless Steel A4: Code ZH

SURFACE TREATMENT FOR STEEL WASHERS:

Zinc White:	ZO
Zinc Black:	ZA
Zinc Black Reinforced:	NR
Phosphatizing:	TO
Geomet:	GE
Cadmium White:	CD

<u>SELF COLOR:</u>	BT
--------------------	----

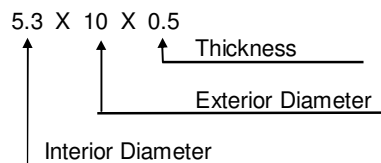
**WAVED SPRING LOCKING WASHER
NFE 27620**



D	CODES	DIMENSIONS
2	ROM020	2.2 X 4.5 X 0.3
2.5	ROM025	2.7 X 5 X 0.3
3	ROM030	3.2 X 6 X 0.4
3.5	ROM035	3.7 X 6.5 X 0.5
4	ROM040	4.3 X 9 X 0.5
5	ROM050	5.3 X 10 X 0.5
6	ROM060	6.4 X 12 X 0.5
7	ROM070	7.4 X 14 X 0.8
8	ROM080	8.4 X 17 X 0.8

D	CODES	DIMENSIONS
10	ROM100	10.5 X 21 X 1
12	ROM120	13 X 24 X 1.2
14	ROM140	15 X 28 X 1.5
16	ROM160	17 X 30 X 1.5
18	ROM180	19 X 34 X 1.5
20	ROM200	21 X 36 X 1.6
22	ROM220	23 X 40 X 1.8
24	ROM240	25 X 44 X 1.8

DIMENSIONS EXAMPLE:



WAVED SPRING LOCKING WASHER NFE 27620

MATERIAL:

Steel:	Code AX
Stainless Steel A4:	Code ZH
Stainless Steel A2:	Code ZE
Z8CNDT 17-12 :	Code ZU

Ask us for other materials

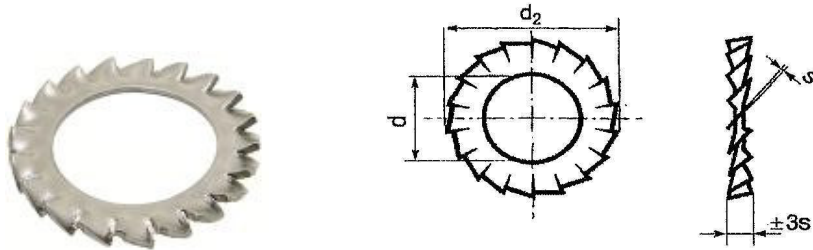
SURFACE TREATMENT FOR STEEL WASHERS:

Zinc White:	ZO
Zinc Black:	ZA
Zinc Black Reinforced:	NR
Phosphatizing:	TO
Geomet:	GE
Cadmium White:	CD

SELF COLOR:

BT

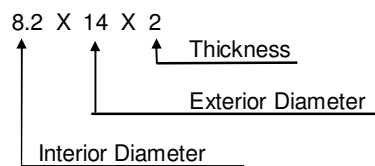
EXTERNAL SERRATED LOCK WASHER NFE 27624



D	CODES	DIMENSIONS
2	RAZM020	2.05 X 4.5 X 0.75
2.5	RAZM025	2.55 X 5.5 X 0.75
3	RAZM030	3.05 X 6 X 1
3.5	RAZM035	3.65 X 7 X 1
4	RAZM040	4.1 X 8 X 1.25
5	RAZM050	5.1 X 9.2 X 1.5
6	RAZM060	6.1 X 11 X 1.75
7	RAZM070	7.2 X 12 X 1.75
8	RAZM080	8.2 X 14 X 2
10	RAZM100	10.2 X 18 X 2.25

D	CODES	DIMENSIONS
12	RAZM120	12.3 X 20 X 2.5
14	RAZM140	14.3 X 24 X 2.75
16	RAZM160	16.3 X 26 X 3
18	RAZM180	18.5 X 30 X 3.5
20	RAZM200	20.5 X 32.5 X 3.5
22	RAZM220	22.5 X 35 X 3.75
24	RAZM240	24.5 X 38 X 3.75
27	RAZM270	27.6 X 44 X 4
30	RAZM300	30.6 X 48 X 4

DIMENSIONS EXAMPLES:



EXTERNAL SERRATED LOCK WASHER NFE 27624

MATERIAL:

Steel:	Code AX
Stainless Steel A4:	Code ZH
Stainless Steel A2:	Code ZE
Z8CNDT 17-12 :	Code ZU
Ask us for other materials	

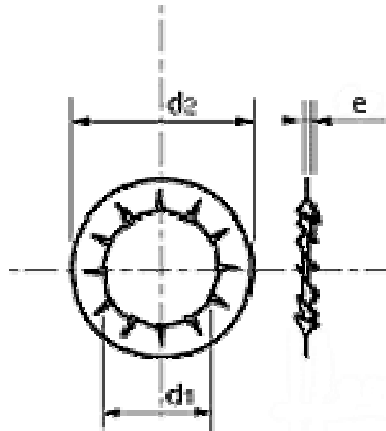
SURFACE TREATMENT FOR STEEL WASHERS:

Zinc White:	ZO
Zinc Black:	ZA
Zinc Black Reinforced:	NR
Phosphatizing:	TO
Geomet:	GE
Cadmium White:	CD

SELF COLOR:

BT

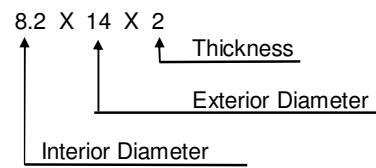
**INTERNAL SERRATED LOCK WASHER
NFE 27625**



D	CODES	DIMENSIONS	D	CODES	DIMENSIONS
2	RJZM020	2.05 X 4.5 X 0.75	12	RJZM120	12.3 X 20 X 2.5
2.5	RJZM025	2.55 X 5.5 X 0.75	14	RJZM140	14.3 X 24 X 2.75
3	RJZM030	3.05 X 6 X 1	16	RJZM160	16.3 X 26 X 3
3.5	RJZM035	3.65 X 7 X 1	18	RJZM180	18.5 X 30 X 3.5
4	RJZM040	4.1 X 8 X 1.25	20	RJZM200	20.5 X 32.5 X 3.5
5	RJZM050	5.1 X 9.2 X 1.5	22	RJZM220	22.5 X 35 X 3.75
6	RJZM060	6.1 X 11 X 1.75	24	RJZM240	24.5 X 38 X 3.75
7	RJZM070	7.2 X 12 X 1.75	27	RJZM270	27.6 X 44 X 4
8	RJZM080	8.2 X 14 X 2	30	RJZM300	30.6 X 48 X 4
10	RJZM100	10.2 X 18 X 2.25			

INTERNAL SERRATED LOCK WASHER NFE 27625

DIMENSIONS EXAMPLE:



MATERIAL:

Steel:	Code AX
Stainless Steel A4:	Code ZH
Stainless Steel A2:	Code ZE
Ask us for other material	

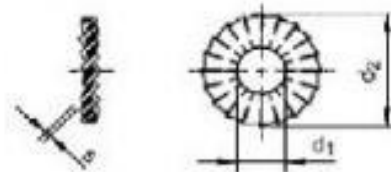
SURFACE TREATMENT FOR STEEL WASHERS:

Zinc White:	ZO
Zinc Black:	ZA
Zinc Black Reinforced:	NR
Phosphatizing:	TO
Geomet:	GE
Cadmium White:	CD

SELF COLOR:

BT

DOUBLE SERRATED LOCK WASHER NFE 27626

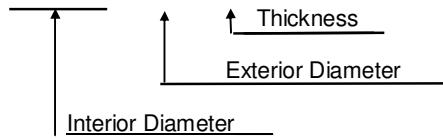


D	CODES	DIMENSIONS
3	RDDM030	3.05 to 3.3 X 12 X 1.25
4	RDDM040	4.1 to 4.4 X 15.5 X 2
5	RDDM050	5.1 to 5.4 X 17.5 X 2
6	RDDM060	6.1 to 6.46 X 18 X 2.25
7	RDDM070	7.2 to 7.56 X 20 X 2.50
8	RDDM080	8.2 to 8.56 X 22 X 2.5
10	RDDM100	10.2 to 10.63 X 26 X 2.75
12	RDDM120	12.3 to 12.73 X 30 X 3
14	RDDM140	14.3 to 14.73 X 33 X 3.5
16	RDDM160	16.3 to 16.73 X 36 X 3.5

DIMENSIONS EXAMPLE:

8.2 to 8.56 X 22 X 2.5

PRICES ? info@reduce-downtime.com



DOUBLE SERRATED LOCKWASHER NFE 27626

MATERIAL:

Steel:	Code AX
Stainless Steel A4:	Code ZH
Stainless Steel A2:	Code ZE
Ask us for other materials	

SURFACE TREATMENT FOR STEEL WASHERS:

Zinc White:	ZO
Zinc Black: :	ZA
Zinc Black Reinforced:	NR
Phosphatizing:	TO
Geomet:	GE
Cadmium White:	CD

SELF COLOR :

BT

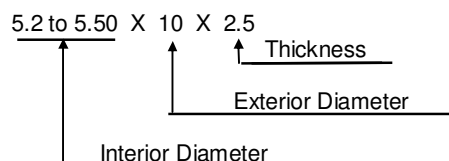
**SERRATED LOCK WASHER V FORM
NFE 27627**



D	CODES	DIMENSIONS
2	RAZVM020	2.10 to 2.35 X 4.5 X 1.2
2.5	RAZVM025	2.6 to 2.85 X 5.5 X 1.5
3	RAZVM030	3.10 to 3.4 X 6 X 1.70
3.5	RAZVM035	3.60 to 3.90 X 7 X 2
4	RAZVM040	4.2 to 4.5 X 8 X 2.2
5	RAZVM050	5.2 to 5.5 X 10 X 2.5
6	RAZVM060	6.3 to 6.66 X 12 X 3.2

D	CODES	DIMENSIONS
7	RAZVM070	7.3 to 7.66 X 14 X 3.6
8	RAZVM080	8.3 to 8.66 X 15.5 X 4.1
10	RAZVM100	10.4 to 10.83 X 19 X 4.8
12	RAZVM120	12.4 to 12.83 X 23 X 6.1
14	RAZVM140	14.4 to 14.83 X 27 X 7.1
16	RAZVM160	16.4 to 16.83 X 31 X 8.2

DIMENSIONS EXAMPLE:



SERRATED LOCK WASHER V FORM NFE 27627

MATERIAL:

Steel:	Code AX
Stainless Steel A4:	Code ZH
Stainless Steel A2:	Code ZE

Ask us for other materials

SURFACE TREATMENT FOR STEEL WASHERS:

Zinc White:	ZO
Zinc Black:	ZA
Zinc Black Reinforced:	NR
Phosphatizing:	TO
Geomet:	GE
Cadmium White	CD

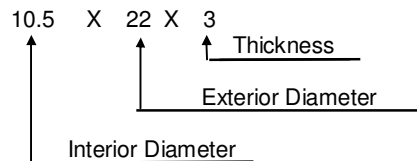
WITHOUT PROTECTION:

BT

**HR WASHER
NFE 27711**

D	CODES	DIMENSIONS	D	CODES	DIMENSIONS
10	RHR100	10.5 X 22 X 3	20	RHR200	21.5 X 37 X 4
12	RHR120	13 X 24 X 3	22	RHR220	23.5 X 40 X 4
14	RHR140	15 X 27 X 3	24	RHR240	25.5 X 44 X 4
16	RHR160	17 X 30 X 3	27	RHR270	28.5 X 50 X 5
18	RHR180	19.5 X 34 X 4	30	RHR300	31.5 X 55 X 5

DIMENSIONS EXAMPLE:



MATERIAL:

Steel: Code QK

SURFACE TREATMENT FOR STEEL WASHERS:

Zinc White:	ZO
Zinc Black:	ZA
Zinc Black Reinforced:	NR
Phosphatizing:	TO
Geomet:	GE
Cadmium White:	CD

SELF COLOR:

BT

BELLEVILLE WASHERS
DYNAMIC TYPE
NFE 25104 - DIN 2093

D	CODES	DIMENSIONS	
3	RCBDM030B	3.2X8X0.3	
	RCBDM030C	3.2X8X0.4	
	RCBDM030D	3.2X8X0.5	
	RCBDL030B	3.2X10X0.3	
	RCBDL030C	3.2X10X0.4	
	RCBDL030D	3.2X10X0.5	
4	RCBDZ040B	4.2X8X0.3	
	RCBDZ040C	4.2X8X0.4	
	RCBDM040C	4.2X10X0.4	
	RCBDM040D	4.2X10X0.5	
	RCBDM040E	4.2X10X0.6	
	RCBDL040C	4.2X12X0.4	
	RCBDL040D	4.2X12X0.5	
	RCBDL040E	4.2X12X0.6	
5	RCBDZ050A	5.2X10X0.25	
	RCBDZ050C	5.2X10X0.4	
	RCBDZ050D	5.2X10X0.5	
	RCBDM050D	5.2X12X0.5	
	RCBDM050E	5.2X12X0.6	
	RCBDL050C	5.2X15X0.4	
	RCBDL050D	5.2X15X0.5	
	RCBDL050E	5.2X15X0.6	
	RCBDL050F	5.2X15X0.7	
6	RCBDZ060E	6.2X12X0.6	
	RCBDM060D	6.2X12.5X0.5	
	RCBDM060F	6.2X12.5X0.7	
	RCBDL060D	6.2X15X0.5	
	RCBDL060E	6.2X15X0.6	
	RCBDL060F	6.2X15X0.7	
	RCBDLL060C	6.2X18X0.4	
	RCBDLL060D	6.2X18X0.5	
	RCBDLL060E	6.2X18X0.6	
	RCBDLL060F	6.2X18X0.7	
	RCBDLL060G	6.2X18X0.8	
	7	RCBDL070D	7.2X14X0.5
		RCBDZ070G	7.2X14X0.8
8	RCBDZ080C	8.2X16X0.4	
	RCBDZ080E	8.2X16X0.6	
	RCBDZ080F	8.2X16X0.7	
	RCBDZ080H	8.2X16X0.9	
	RCBDM080F	8.2X18X0.7	
	RCBDM080G	8.2X18X0.8	
	RCBDM080I	8.2X18X1	
	RCBDL080D	8.2X20X0.5	
	RCBDL080E	8.2X20X0.6	
	RCBDL080F	8.2X20X0.7	
	RCBDL080G	8.2X20X0.8	

D	CODES	DIMENSIONS
10	RCBDZ100C	10.2X20X0.4
	RCBDZ100D	10.2X20X0.5
	RCBDZ100G	10.2X20X0.8
	RCBDZ100H	10.2X20X0.9
	RCBDZ100I	10.2X20X1
	RCBDZ100J	10.2X20X1.1
	RCBDM100H	10.2X23X0.9
	RCBDM100I	10.2X23X1
	RCBDL100G	10.2X28X0.8
	RCBDL100I	10.2X28X1
	RCBDL100K	10.2X28X1.25
RCBDL100L	10.2X28X1.5	
12	RCBDZ120I	12.2X23X1
	RCBDZ120K	12.2X23X1.25
	RCBDZ120L	12.2X23X1.5
	RCBDM120F	12.2X25X0.7
	RCBDM120H	12.2X25X0.9
	RCBDM120L	12.2X25X1.5
	RCBDL120I	12.2X28X1
	RCBDL120K	12.2X28X1.25
	RCBDL120L	12.2X28X1.5
	RCBDLL120I	12.2X34X1
RCBDLL120K	12.2X34X1.25	
RCBDLL120L	12.2X34X1.5	
14	RCBDZ140G	14.2X28X0.8
	RCBDZ140I	14.2X28X1
	RCBDZ140K	14.2X28X1.25
	RCBDZ140L	14.2X28X1.5
	RCBDM140K	14.2X34X1.25
	RCBDM140L	14.2X34X1.5
	RCBDL140K	14.2X40X1.25
	RCBDL140L	14.2X40X1.5
	RCBDL140M	14.2X40X1.75
	RCBDL140O	14.2X40X2
16	RCBDZ160G	16.3X31.5X0.8
	RCBDZ160K	16.3X31.5X1.25
	RCBDZ160L	16.3X31.5X1.5
	RCBDZ160M	16.3X31.5X1.75
	RCBDZ160O	16.3X31.5X2
	RCBDM160L	16.3X34X1.5
	RCBDM160O	16.3X34X2
	RCBDL160L	16.3X40X1.5
RCBDL160M	16.3X40X1.75	
RCBDL160O	16.3X40X2	
RCBDLL160L	16.3X48X1.5	

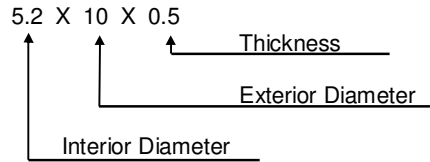
	RCBDL080H	8.2X20X0.9
	RCBDL080I	8.2X20X1
	RCBDLL080F	8.2X23X0.7
	RCBDLL080G	8.2X23X0.8
	RCBDLL080H	8.2X23X0.9

BELLEVILLE WASHERS
DYNAMIC TYPE
NFE 25104 - DIN 2093

D	CODES	DIMENSIONS
18	RCBDZ180H	18.3X35.5X0.9
	RCBDZ180K	18.3X35.5X1.25
	RCBDZ180O	18.3X35.5X2
	RCBDM180O	18.3X40X2
	RCBDL180K	18.4X50X1.25
	RCBDL180L	18.4X50X1.5
	RCBDL180O	18.4X50X2
	RCBDL180Q	18.4X50X2.5
	RCBDL180R	18.4X50X3
20	RCBDM200I	20.4X40X1
	RCBDM200L	20.4X40X1.5
	RCBDM200O	20.4X40X2
	RCBDM200P	20.4X40X2.25
	RCBDM200Q	20.4X40X2.5
	RCBDL200O	20.4X50X2
	RCBDL200Q	20.4X50X2.5
	RCBDLL200O	20.4X60X2
	RCBDLL200Q	20.4X60X2.5
	RCBDLL200R	20.4X60X3
22	RCBDM220K	22.4X45X1.25
	RCBDM220M	22.4X45X1.75
	RCBDM220Q	22.4X45X2.5
	RCBDL220O	22.4X50X2
	RCBDL220Q	22.4X50X2.5
25	RCBDM250K	25.4X50X1.25
	RCBDM250L	25.4X50X1.5
	RCBDM250O	25.4X50X2
	RCBDM250P	25.4X50X2.25
	RCBDM250Q	25.4X50X2.5
	RCBDM250R	25.4X50X3
	RCBDL250Q	25.5X60X2.5
	RCBDL250R	25.5X60X3
	RCBDLL250O	25.5X70X2
28	RCBDM280L	28.5X56X1.5
	RCBDM280O	28.5X56X2
	RCBDM280Q	28.5X56X2.5
	RCBDM280R	28.5X56X3

D	CODES	DIMENSIONS
30	RCBDZ300Q	30.5X60X2.5
	RCBDZ300R	30.5X60X3
	RCBDZ300S	30.5X60X3.5
	RCBDM300N	31X63X1.8
	RCBDM300Q	31X63X2.5
	RCBDM300R	31X63X3
	RCBDM300S	31X63X3.5
	RCBDL300Q	30.5X70X2.5
	RCBDL300R	30.5X70X3
	RCBDLL300Q	30.5X80X2.5
RCBDLL300R	31X80X3	
RCBDLL300T	31X80X4	
35	RCBDZ350R	35.5X70X3
	RCBDZ350T	35.5X70X4
	RCBDM350O	36X71X2
	RCBDM350Q	36X71X2.5
	RCBDM350T	36X71X4
	RCBDL350T	35.5X80X4
40	RCBDM400R	41X80X3
	RCBDM400T	41X80X4
	RCBDM400U	41X80X5
	RCBDL400T	41X100X4
	RCBDL400U	41X100X5
45	RCBDM450Q	46X90X2.5
	RCBDM450S	46X90X3.5
	RCBDM450U	46X90X5
50	RCBDM500S	51X100X3.5
	RCBDM500T	51X100X4
	RCBDM500U	51X100X5
	RCBDM500V	51X100X6
	RCBDM500W	51X100X7
	RCBDL500T	51X125X4
	RCBDL500U	51X125X5
	RCBDL500V	51X125X6
60	RCBDM600V	61X125X6
	RCBDL600S	64X125X3.5
	RCBDL600V	64X125X6
	RCBDL600X	64X125X8

DIMENSIONS EXAMPLE:



MATERIAL:

Steel: Code AX

SURFACE TREATMENT FOR STEEL WASHERS:

White Lanthane Finish:

ZL

Zinc Black:

ZA

Zinc Black Reinforced:

NR

Phosphatizing:

TO

Geomet:

GJ

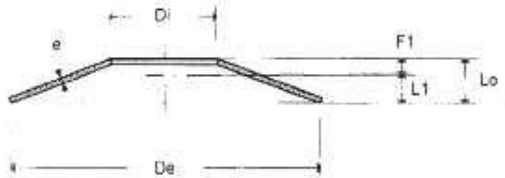
Cadmium White:

CD

SELF COLOR :

BT

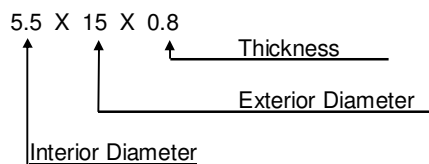
BELLEVILLE WASHERS STATIC TYPE



D	CODES	DIMENSIONS
3	RCBSZ030	3.5X8X0.4
3	RCBSM030	3.5X9X0.5
4	RCBSZ040	4.5X10X0.5
4	RCBSM040	4.5X12X0.6
5	RCBSZ050	5.5X12X0.8
5	RCBSM050	5.5X15X0.8
6	RCBSZ060	6.5X14X0.8
6	RCBSM060	6.5X18X1
7	RCBSM070	7.5X21X1
8	RCBSZ080	8.5X18X1.2
8	RCBSM080	8.5X24X1.2
10	RCBSZ100	10.5X22X1.5
10	RCBSM100	10.5X30X1.5
12	RCBSZ120	12.5X28X2
12	RCBDM120	12.5X36X2
14	RCBSZ140	15X30X2
14	RCBSM140	15X42X2.2

D	CODES	DIMENSIONS
16	RCBSZ160	17X33X2.2
16	RCBSM160	17X48X2.5
18	RCBSM180	19X54X3
20	RCBSZ200	21X40X3
20	RCBSM200	21X60X3.2
22	RCBSM220	23X66X3.5
24	RCBSM240	25X72X4
27	RCBSM270	29X81X4.5
30	RCBSM300	32X90X5
25	RCBSM350	37X105X6
40	RCBSM400	42X120X6
45	RCBSM450	47X135X7
50	RCBSM500	52X150X8

DIMENSIONS EXAMPLE:



BELLEVILLE WASHERS STATIC TYPE

MATERIAL:

Steel: Code AX

SURFACE TREATMENT FOR STEEL WASHERS:

White Lanthane Finish:

Zinc Black:

Zinc Black Reinforced:

Phosphatizing:

Geomet:

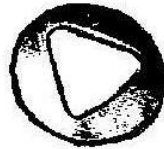
Cadmium White:

ZL
ZA
NR
TO
GJ
CD

SELF COLOR :

BT

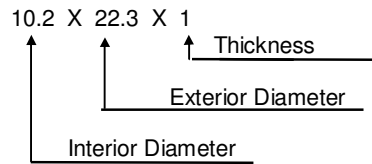
FLEX DELTA WASHERS



D	CODES	DIMENSIONS
3	RFD030	3.1X7.8X0.5
4	RFD040	4.1X11X0.5
5	RFD050	5.1X11.9X0.7
6	RFD060	6.1X13.9X0.8

D	CODES	DIMENSIONS
8	RFD080	8.1X18.3X0.9
10	RFD100	10.2X22.3X1
12	RFD120	12.2X26.9X1.1
14	RFD140	14.3X29.9X1.2

DIMENSIONS EXAMPLE:



MATERIAL:

Steel: Code AX

SURFACE TREATMENT FOR STEEL WASHERS:

White Lanthane Finish:
 Zinc Black:
 Zinc Blank Reinforced:
 Phosphatizing:
 Geomet:
 Cadmium White:

ZL
 ZA
 NR
 TO
 GJ
 CD

SELF COLOR :

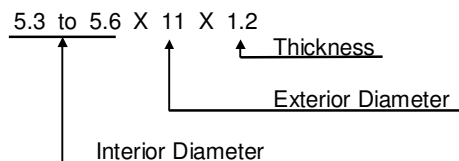
BT

CONICAL SPRING WASHER NFE 25510



M	CODES	DIMENSIONS
5	RCLM050	5.3 to 5.6 X 11 X 1.2
	RCLL050	5.3 to 5.6 X 15 X 1.4
6	RCLE060	6.4 to 6.76 X 12 X 1.4
	RCLM060	6.4 to 6.76 X 14 X 1.5
	RCLL060	6.4 to 6.76 X 18 X 1.7
8	RCLE080	8.4 to 8.76 X 16 X 1.9
	RCLM080	8.4 to 8.76 X 18 X 2.0
	RCLL080	8.4 to 8.76 X 22 X 2.2
10	RCLE100	10.5 to 10.93 X 20 X 2.2
	RCLM100	10.5 to 10.93 X 22 X 2.4
	RCLL100	10.5 to 10.93 X 27 X 2.8
12	RCLM120	13 to 13.43 X 24 X 2.8
	RCLL1200	13 to 13.43 X 30 X 3.2
14	RCLM140	15 to 15.43 X 28 X 3.0
16	RCLM160	17 to 17.43 X 32 X 3.4
	RCLL160	17 to 17.43 X 39 X 3.6
20	RCLM200	21 to 21.52 X 38 X 4.0
	RCLL200	21 to 21.52 X 45 X 4.4

DIMENSIONS EXAMPLE:



CONICAL SPRING WASHER NFE 25510

MATERIAL:

Steel:	Código AX
Stainless Steel A2:	Código ZE
Stainless Steel A4:	Código ZH

SURFACE TREATMENT FOR STEEL WASHERS:

White Lanthane Finish:	ZL
Zinc Black:	ZA
Zinc Black Reinforced:	NR
Phosphatizing:	TO
Geomet:	GJ
Cadmium White:	CD

SELF COLOR :

BT

**CONICAL STRIATED WASHER
NFE 25511**

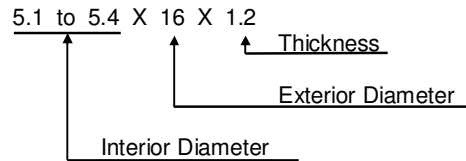


D	CODES	DIMENSIONS
3	RCSE030	3.1 to 3.35 X 6 X 0.5
	RCSM030	3.1 to 3.35 X 8 X 0.6
	RCSL030	3.1 to 3.35 X 10 X 0.6
4	RCSE040	4.1 to 4.4 X 8 X 0.8
	RCSM040	4.1 to 4.4 X 10 X 0.9
	RCSL040	4.1 to 4.4 X 14 X 1.0
5	RCSE050	5.1 to 5.4 X 10 X 1.0
	RCSM050	5.1 to 5.4 X 12 X 1.1
	RCSL050	5.1 to 5.4 X 16 X 1.2
6	RCSE060	6.1 to 6.4 X 12 X 1.2
	RCSM060	6.1 to 6.4 X 14 X 1.3
	RCSL060	6.1 to 6.4 X 18 X 1.4

D	CODES	DIMENSIONS
8	RCSE080	8.2 to 8.56 X 16 X 1.4
	RCSM080	8.2 to 8.56 X 18 X 1.4
	RCSL080	8.2 to 8.56 X 22 X 1.6
10	RCSE100	10.2 to 10.56 X 20 X 1.6
	RCSM100	10.2 to 10.56 X 22 X 1.6
	RCSL100	10.2 to 10.56 X 27 X 1.8
12	RCSE120	12.4 to 12.83 X 24 X 1.8
	RCSM120	12.4 to 12.83 X 27 X 1.8
	RCSL120	12.4 to 12.83 X 32 X 2.0
14	RCSM140	14.4 to 14.83 X 30 X 2.4
16	RCSM160	16.4 to 16.83 X 32 X 2.8
20	RCSM200	20.5 to 21.02 X 40 X 3.2

CONICAL STRIATED WASHER NFE 25511

DIMENSIONS EXAMPLE:



MATERIAL:

Steel:	Code AX
Stainless Steel A2:	Code ZE
Stainless Steel A4:	Code ZH

SURFACE TREATMENT FOR STEEL WASHERS:

White Lanthane Finish:	ZL
Zinc Black:	ZA
Zinc Black Reinforced:	NR
Phosphatizing:	TO
Geomet:	GJ
Cadmium White:	CD

SELF COLOR :

BT

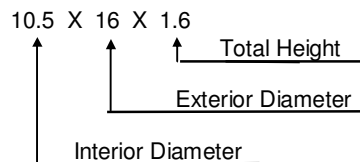
SCHNORR WASHER « S » TYPE



D	CODES	DIMENSIONS
2	RCSS020	2.2 X 4 X 0.6
2.5	RCSS025	2.7 X 4.8 X 0.9
3	RCSS030	3.2 X 5.5 X 0.9
3.5	RCSS035	3.7 X 6 X 0.9
4	RCSS040	4.3 X 7 X 1
5	RCSS050	5.3 X 9 X 1.1
6	RCSS060	6.4 X 10 X 1.2
8	RCSS080	8.4 X 13 X 1.4
10	RCSS100	10.5 X 16 X 1.6

D	CODES	DIMENSIONS
12	RCSS120	13 X 18 X 1.7
14	RCSS140	15 X 22 X 2
16	RCSS160	17 X 24 X 2.1
18	RCSS180	19 X 27 X 2.3
20	RCSS200	21 X 30 X 2.4
22	RCSS220	23 X 33 X 2.5
24	RCSS240	25.6 X 36 X 2.7
27	RCSS270	28.6 X 39 X 2.9
30	RCSS300	31.6 X 45 X 3.2

DIMENSIONS EXAMPLE:



MATERIAL:

Steel : Code AX
 Bronze : Code UJ

SURFACE TREATMENT FOR STEEL WASHERS:

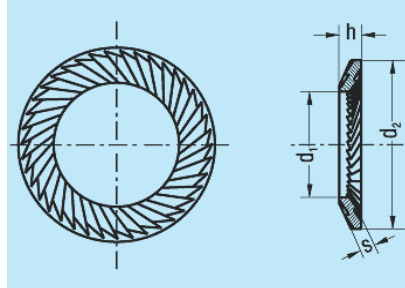
White Lanthane Finish:
 Zinc Black:
 Zinc Black Reinforced:
 Phosphatizing:
 Geomet:
 Cadmium White:

ZL
 ZA
 NR
 TO
 GJ
 CD

SELF COLOR :

BT

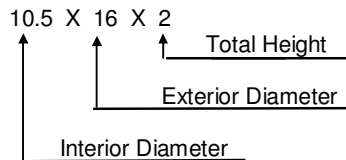
SCHNORR WASHER « VS » TYPE



D	CODES	DIMENSIONS
5	RCSV050	5.3 X 9 X 1.3
6	RCSV060	6.4 X 10 X 1.4
8	RCSV080	8.4 X 13 X 1.7
10	RCSV100	10.5 X 16 X 2
12	RCSV120	13 X 18 X 2.1
14	RCSV140	15 X 22 X 2.2
16	RCSV160	17 X 24 X 2.6

D	CODES	DIMENSIONS
18	RCSV180	19 X 27 X 2.7
20	RCSV200	21 X 30 X 2.8
22	RCSV220	23 X 33 X 2.9
24	RCSV240	25.6 X 36 X 3.3
27	RCSV270	28.6 X 39 X 3.4
30	RCSV300	31.6 X 45 X 3.6

DIMENSIONS EXAMPLE:



MATERIAL:

Steel: Code AX
 Bronze: Code UJ

SURFACE TREATMENT FOR STEEL WASHERS:

White Lanthane Finish:	ZL
Zinc Black:	ZA
Zinc Black Reinforced:	NR
Phosphatizing:	TO
Geomet:	GJ
Cadmium White:	CD

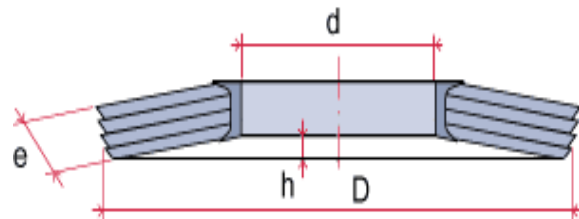
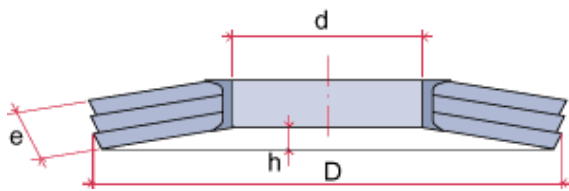
SELF COLOR :

BT

3L TREP WASHER



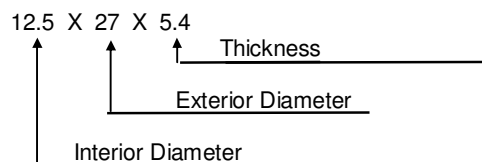
4L TREP WASHER



3L TREP WASHER			
D	CODES	DIMENSIONS	.
4	RT3L040	4.5 X 10 X 1.5	
5	RT3L050	5.5 X 12 X 2.4	
6	RT3L060	6.5 X 14 X 2.4	
8	RT3L080	8.5 X 18 X 3.6	
10	RT3L100	10.5 X 22 X 4.5	
12	RT3L120	12.5 X 27 X 5.4	
14	RT3L140	15 X 30 X 6	
16	RT3L160	17 X 33 X 6.6	
18	RT3L180	19 X 36 X 7.5	
20	RT3L200	21 X 40 X 9	

4L TREP WASHER		
D	CODES	DIMENSIONS
6	RT4L060	6.5 X 17 X 2.4
8	RT4L080	8.5 X 20 X 2.8
10	RT4L100	10.5 X 23 X 3.2
12	RT4L120	12.5 X 26 X 4
14	RT4L140	15 X 29 X 4.8
16	RT4L160	17 X 33 X 4.8
18	RT4L180	19 X 37 X 6
20	RT4L200	21 X 41 X 6
22	RT4L220	23 X 45 X 7.2
24	RT4L240	25 X 50 X 7.2
27	RT4L270	28.5 X 56 X 8
30	RT4L300	32 X 60 X 8.8
33	RT4L330	35 X 64 X 10
36	RT4L360	38 X 68 X 10

DIMENSIONS EXAMPLE:



3L TREP WASHER**4L TREP WASHER****MATERIAL:**

Steel: Code AX
Stainless Steel: Code ZX

SURFACE TREATMENT FOR STEEL WASHERS:

White Lanthane Finish: ZL
Zinc Black: ZA
Zinc Black Reinforced: NR
Phosphatizing: TO
Geomet: GJ
Cadmium White: CD

SELF COLOR :

BT