



HEINRICH KIPP WERK

360°



REHAB | SPORT

Company

Overview	Page	4
Application examples	Page	4

Products

 K0779	Clamping grips ergonomic	Page	8
 K0785	Triangular grips ergonomic	Page	9
 K0786	Five lobe grips ergonomic	Page	10
 K0279	Five lobe grips	Page	11
 K0278	Flat four lobe grips	Page	12
 K0280	High clamping grips	Page	14
 K0281	Turning grips	Page	15
 K0613	Palm grips Soft	Page	16
 K0171	Stirrup-shaped handles with soft inner surface	Page	17
 K0125	Clamp levers 2K „COCKATOO“ two-component with internal thread	Page	18
 K0125	Clamp levers 2K „COCKATOO“ two-component with external thread	Page	19
 K0126	Clamp levers 2K „COCKATOO“ two-component with internal thread, steel parts in stainless steel	Page	20
 K0126	Clamp levers 2K „COCKATOO“ two-component with external thread, steel parts in stainless steel	Page	21
 K0274	Wing grips	Page	22
 K0274	Miniwings	Page	23
 K0154	Star grips similar to DIN 6336, steel parts in stainless steel	Page	24
 K0154	Star grips with safety band similar to DIN 6336, steel parts stainless steel	Page	25
 K0363	Ball locking bolts self-locking	Page	26
 K0005	Cam levers with internal thread and external thread, steel or stainless steel	Page	27

Appendix

Extract from main catalogue	Page	28
Catalogue request	Page	29



Monday - Thursday
7.00 am - 5.30 pm (CET)
Friday
7.00 am - 3.30 pm (CET)



+49 7454 793-0



+49 7454 793-33



www.kipp.com



sales@kipp.com



Reg. Nr. 002081 QM





REHAB | SPORT

HEINRICH KIPP WERK is a reliable partner for the rehab and sport sector.

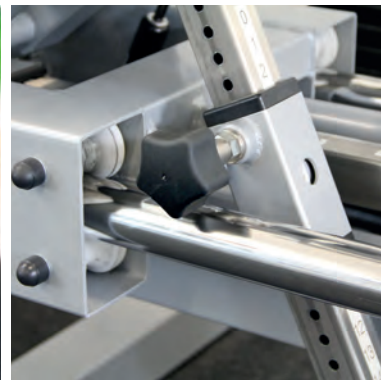
KIPP operating parts stand for stability and durability. For this reason the suppliers in the field successfully use our elements. They profit from working together with us because KIPP operating parts underscore the quality of their equipment.

The new REHAB | SPORT catalogue is based on our years long experience. We have expanded our product range and developed special, optimal ergonomic grips. Ideal for walking aids, sport and training equipment.

TRUST IN KIPP

HEINRICH KIPP WERK is a manufacturer of clamping technology, standard elements and operating parts. We offer an extensive product range with more than 18,000 items.

Our manufacturing competence gives us a great production depth. We develop our products completely in house and produce at our site in Germany using a wide range of machines. This ensures: short delivery routes and quick decisions.



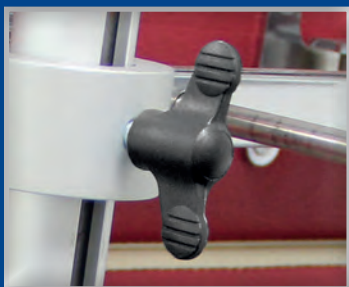
Application examples



Therapy seat*



Wheelchair frame*



Biometrical standing aid*



Training equipment**

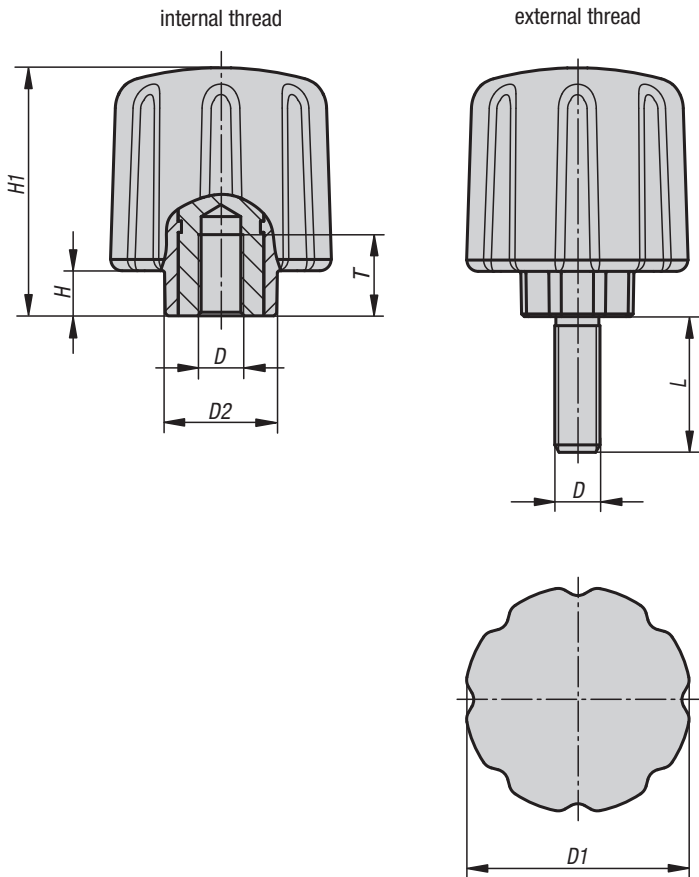


Picture source:
*Rehatec
**Tonus

Clamping grips ergonomic



S^T



Material:

Hard components in fibreglass reinforced plastic.
Soft components in thermoplastic elastomer.
Bush or threaded bolt, steel quality class 5.8 or stainless steel 1.4305

Version:

Steel blue chromated.
Stainless steel, natural finish.

Sample order:

K0779.5006X20

Note:

The colour combination black grey RAL 7021 (hard components) and black grey RAL 7021 (soft components) are supplied as standard.

On request:

Other versions

KIPP Clamping grips ergonomic with internal thread

Order No.	Version	D	D1	D2	H	H1	T
K0779.5006	bush in steel	M6	50	26	10	55	18
K0779.5008	bush in steel	M8	50	26	10	55	18
K0779.5010	bush in steel	M10	50	26	10	55	18
K0779.05006	bush in stainless steel	M6	50	26	10	55	18
K0779.05008	bush in stainless steel	M8	50	26	10	55	18
K0779.05010	bush in stainless steel	M10	50	26	10	55	18

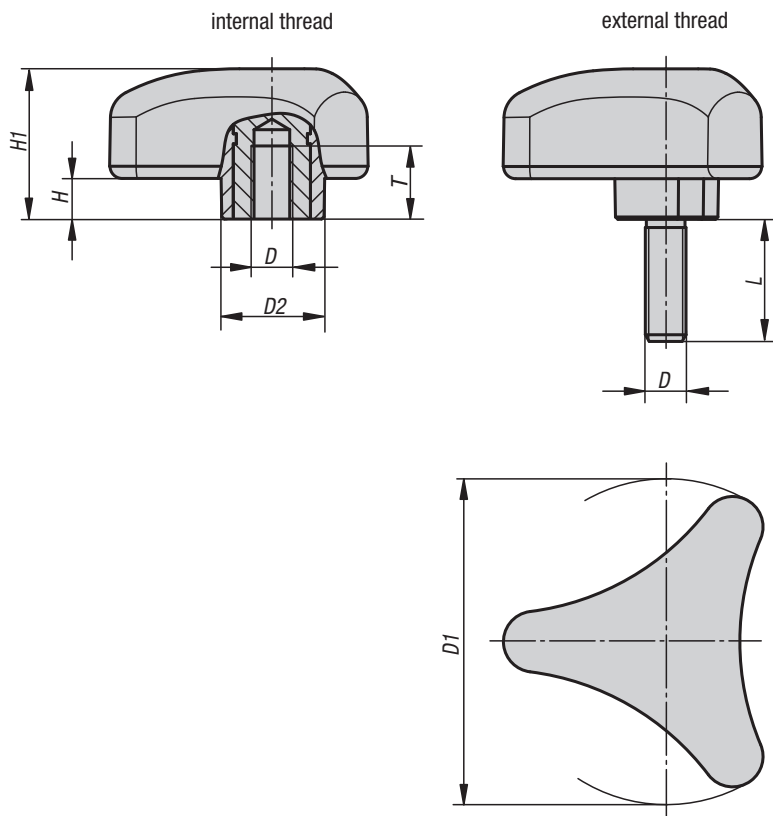
KIPP Clamping grips ergonomic with external thread

Order No.	Version	D	D1	D2	H	H1	L
K0779.5006X	bolt in steel	M6	50	26	10	55	15/20/25/30
K0779.5008X	bolt in steel	M8	50	26	10	55	20/25/30/40
K0779.5010X	bolt in steel	M10	50	26	10	55	30/40/50
K0779.05006X	bolt in stainless steel	M6	50	26	10	55	15/20/25/30
K0779.05008X	bolt in stainless steel	M8	50	26	10	55	20/25/30/40
K0779.05010X	bolt in stainless steel	M10	50	26	10	55	30/40/50

Triangular grips ergonomic



S^T



Material:

Hard components in fibreglass reinforced plastic.
Soft components in thermoplastic elastomer.
Bush or threaded bolt, steel quality class 5.8 or stainless steel 1.4305

Version:

Steel blue chromated.
Stainless steel, natural finish.

Sample order:

K0785.8008X20

Note:

The colour combination black grey RAL 7021 (hard components) and black grey RAL 7021 (soft components) are supplied as standard.

On request:

Other versions

KIPP Triangular grips ergonomic with internal thread

Order No.	Version	D	D1	D2	H	H1	T
K0785.8008	bush in steel	M8	80	26	10	37	18
K0785.8010	bush in steel	M10	80	26	10	37	18
K0785.8012	bush in steel	M12	80	26	10	37	18
K0785.08008	bush in stainless steel	M8	80	26	10	37	18
K0785.08010	bush in stainless steel	M10	80	26	10	37	18
K0785.08012	bush in stainless steel	M12	80	26	10	37	18

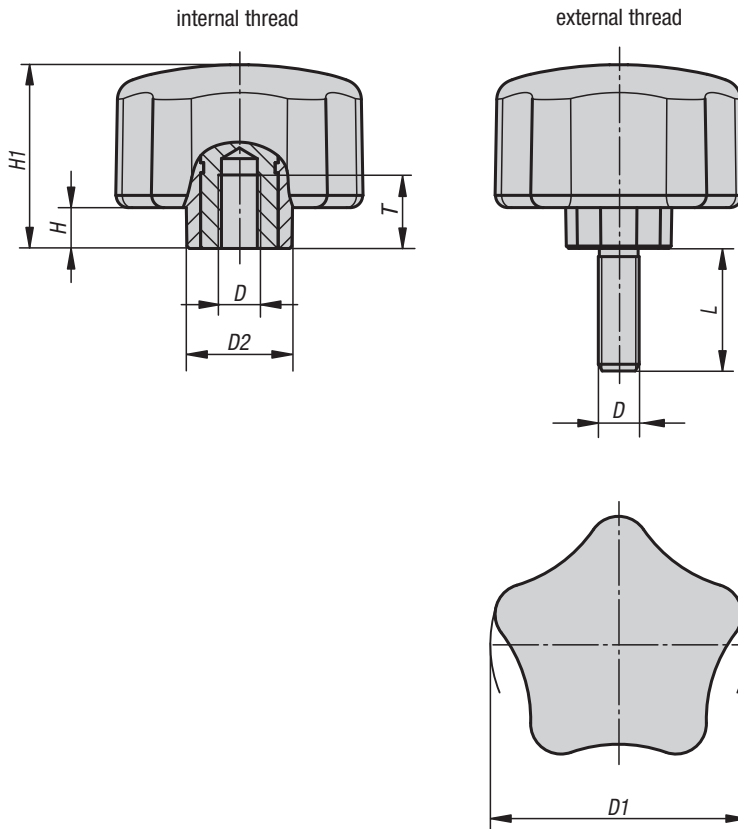
KIPP Triangular grips ergonomic with external thread

Order No.	Version	D	D1	D2	H	H1	L
K0785.8008X	bolt in steel	M8	80	26	10	37	20/25/30/40
K0785.8010X	bolt in steel	M10	80	26	10	37	30/40/50
K0785.8012X	bolt in steel	M12	80	26	10	37	30/40/50/60
K0785.08008X	bolt in stainless steel	M8	80	26	10	37	20/25/30/40
K0785.08010X	bolt in stainless steel	M10	80	26	10	37	30/40/50
K0785.08012X	bolt in stainless steel	M12	80	26	10	37	30/40/50/60

Five lobe grips ergonomic



S^T



Material:

Hard components in fibreglass reinforced plastic.
Soft components in thermoplastic elastomer.
Bush or threaded bolt, steel quality class 5.8 or stainless steel 1.4305

Version:

Steel blue chromated.
Stainless steel, natural finish.

Sample order:

K0786.6308X20

Note:

The colour combination black grey RAL 7021 (hard components) and black grey RAL 7021 (soft components) are supplied as standard.

On request:

Other versions

KIPP Five lobe grips ergonomic with internal thread

Order No.	Version	D	D1	D2	H	H1	T
K0786.6308	bush in steel	M8	63	26	10	45	18
K0786.6310	bush in steel	M10	63	26	10	45	18
K0786.06308	bush in stainless steel	M8	63	26	10	45	18
K0786.06310	bush in stainless steel	M10	63	26	10	45	18

KIPP Five lobe grips ergonomic with external thread

Order No.	Version	D	D1	D2	H	H1	L
K0786.6308X	bolt in steel	M8	63	26	10	45	20/25/30/40
K0786.6310X	bolt in steel	M10	63	26	10	45	30/40/50
K0786.06308X	bolt in stainless steel	M8	63	26	10	45	20/25/30/40
K0786.06310X	bolt in stainless steel	M10	63	26	10	45	30/40/50

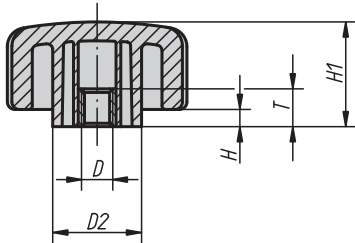
Five lobe grips



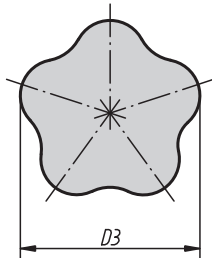
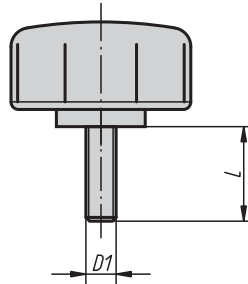
S^T



Form K
internal thread



Form L
external thread



Natural and secure gripping make the five lobe grip unique thanks to its material and shape.

Material, surface finish:

Base body in black hard thermoplastic.

Coating in black soft thermoplastic.

Internal thread in brass.

External thread in galvanized steel quality class 5.8.

Sample order:

K0279.4006X20 (Please also indicate dimension L.)

Note:

SYMPA TOUCH five lobe grips are available in 3 sizes with internal and external threads.

On request:

Other external threads, screw lengths, versions and colours.

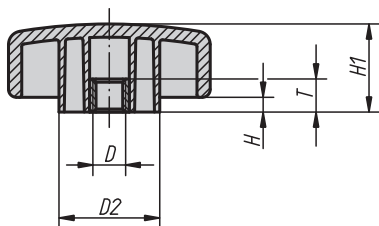
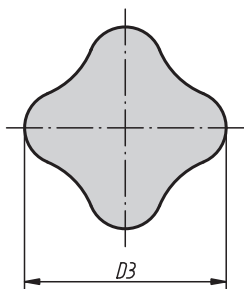
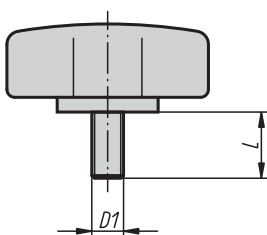
KIPP Five lobe grips with internal thread

Order No.	Form	D	D2	D3	H	H1	T
K0279.4005	K	M5	19	40	4,6	27,7	12,5
K0279.4006	K	M6	19	40	4,6	27,7	12,5
K0279.4008	K	M8	19	40	4,6	27,7	12,5
K0279.4010	K	M10	19	40	4,6	27,7	12,5
K0279.5006	K	M6	23,5	50	4,6	27,7	12,5
K0279.5008	K	M8	23,5	50	4,6	27,7	12,5
K0279.5010	K	M10	23,5	50	4,6	27,7	12,5
K0279.6006	K	M6	31,8	60	4,6	27,7	12,5
K0279.6008	K	M8	31,8	60	4,6	27,7	12,5
K0279.6010	K	M10	31,8	60	4,6	27,7	12,5

KIPP Five lobe grips with external thread

Order No.	Form	D1	D2	D3	H	H1	L = screw length
K0279.4006X	L	M6	19	40	4,6	27,7	15/20/25/35
K0279.4008X	L	M8	19	40	4,6	27,7	16/25/35
K0279.4010X	L	M10	19	40	4,6	27,7	20/30/40/50
K0279.5006X	L	M6	23,5	50	4,6	27,7	15/20/25/35
K0279.5008X	L	M8	23,5	50	4,6	27,7	16/25/35
K0279.5010X	L	M10	23,5	50	4,6	27,7	30/40/50
K0279.6006X	L	M6	31,8	60	4,6	27,7	15/20/25/35
K0279.6008X	L	M8	31,8	60	4,6	27,7	16/25/35
K0279.6010X	L	M10	31,8	60	4,6	27,7	20/30/40/50

Flat four lobe grips

S^TForm K
internal threadForm L
external thread

Extraordinary gripping safety combined with attractive design are key elements to outstanding functionality. Due to their flat construction, the flat four lobe grips are suitable for low working spaces.

Material, surface finish:

Base body in black hard thermoplastic.

Coating in black soft thermoplastic.

Internal thread in brass.

External thread in galvanized steel quality class 5.8.

Sample order:

K0278.3506X20 (Please also indicate dimension L.)

Note:

SYMPA TOUCH flat four lobe grips are available in 5 sizes with internal and external threads.

On request:

Other external threads, screw lengths, versions and colours.

KIPP Flat four lobe grips with internal thread

Order No.	Form	D	D2	D3	H	H1	T
K0278.3505	K	M5	14,2	35,5	2,8	15,5	12,5
K0278.3506	K	M6	14,2	35,5	2,8	15,5	12,5
K0278.4405	K	M5	17,5	44,5	3,3	19,3	12,5
K0278.4406	K	M6	17,5	44,5	3,3	19,3	12,5
K0278.4408	K	M8	17,5	44,5	3,3	19,3	12,5
K0278.4410	K	M10	17,5	44,5	3,3	19,3	12,5
K0278.5005	K	M5	23,6	50,8	3,8	22,1	12,5
K0278.5006	K	M6	23,6	50,8	3,8	22,1	12,5
K0278.5008	K	M8	23,6	50,8	3,8	22,1	12,5
K0278.5010	K	M10	23,6	50,8	3,8	22,1	12,5
K0278.6306	K	M6	31,7	63,5	4,6	27,7	12,5
K0278.6308	K	M8	31,7	63,5	4,6	27,7	12,5
K0278.6310	K	M10	31,7	63,5	4,6	27,7	12,5
K0278.6312	K	M12	31,7	63,5	4,6	27,7	12,5
K0278.7608	K	M8	38,1	76,2	5,6	33,3	12,5
K0278.7610	K	M10	38,1	76,2	5,6	33,3	12,5
K0278.7612	K	M12	38,1	76,2	5,6	33,3	12,5

KIPP Flat four lobe grips with external thread

Order No.	Form	D1	D2	D3	H	H1	L = screw length
K0278.3506X	L	M6	14,2	35,5	2,8	15,5	15/20/25/35
K0278.4406X	L	M6	17,5	44,5	3,3	19,3	15/20/25/35
K0278.4408X	L	M8	17,5	44,5	3,3	19,3	16/25/35
K0278.4410X	L	M10	17,5	44,5	3,3	19,3	20/30/40/50
K0278.5006X	L	M6	23,6	50,8	3,8	22,1	15/20/25/35
K0278.5008X	L	M8	23,6	50,8	3,8	22,1	16/25/35
K0278.5010X	L	M10	23,6	50,8	3,8	22,1	30/40/50
K0278.6306X	L	M6	31,7	63,5	4,6	27,7	15/20/25/35
K0278.6308X	L	M8	31,7	63,5	4,6	27,7	16/25/35
K0278.6310X	L	M10	31,7	63,5	4,6	27,7	30/40/50
K0278.7608X	L	M8	38,1	76,2	5,6	33,3	16/25/35
K0278.7610X	L	M10	38,1	76,2	5,6	33,3	30/40/50

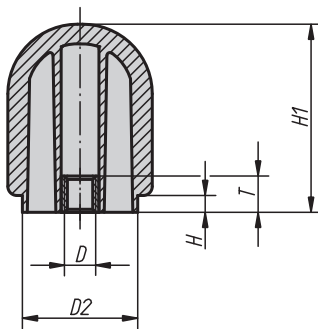
High clamping grips



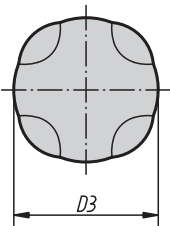
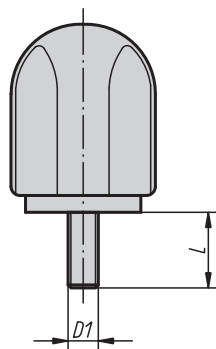
S^T



Form K
internal thread



Form L
external thread



The high clamping grips are distinguished by their unusual design. The high form permits high clamping forces while being gentle to the hands.

Material, surface finish:

Base body in black hard thermoplastic.

Coating in black soft thermoplastic.

Internal thread in brass.

External thread in galvanized steel quality class 5.8.

Sample order:

K0280.4206X20 (Please also indicate dimension L.)

Note:

SYMPA TOUCH high clamping grips are available in 2 sizes with internal and external threads.

On request:

Other external threads, screw lengths, versions and colours.

KIPP High clamping grips with internal thread

Order No.	Form	D	D2	D3	H	H1	T
K0280.4206	K	M6	34	42,7	4,8	55,6	12,5
K0280.4208	K	M8	34	42,7	4,8	55,6	12,5
K0280.4210	K	M10	34	42,7	4,8	55,6	12,5
K0280.4212	K	M12	34	42,7	4,8	55,6	12,5
K0280.4706	K	M6	38,1	47,8	5,6	62,2	12,5
K0280.4708	K	M8	38,1	47,8	5,6	62,2	12,5
K0280.4710	K	M10	38,1	47,8	5,6	62,2	12,5
K0280.4712	K	M12	38,1	47,8	5,6	62,2	12,5

KIPP High clamping grips with external thread

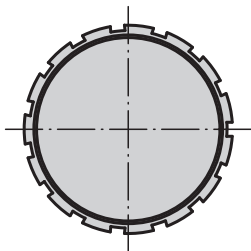
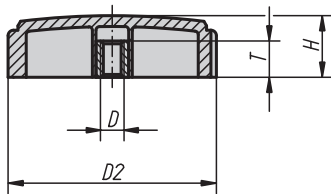
Order No.	Form	D1	D2	D3	H	H1	L = screw length
K0280.4206X	L	M6	34	42,7	4,8	55,6	15/20/25/35
K0280.4208X	L	M8	34	42,7	4,8	55,6	16/25/35
K0280.4210X	L	M10	34	42,7	4,8	55,6	20/30/40/50
K0280.4706X	L	M6	38,1	47,8	5,6	62,2	20/35
K0280.4708X	L	M8	38,1	47,8	5,6	62,2	35
K0280.4710X	L	M10	38,1	47,8	5,6	62,2	40/50

Turning grips

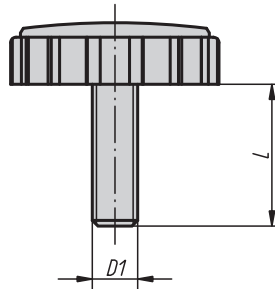
S^T



Form K
internal thread



Form L
external thread



Due to their extremely small height, these grips can also be used in very narrow clamping spaces. The slots on the edge improve gripping ability.

Material, surface finish:

Base body in black hard thermoplastic.

Coating in black soft thermoplastic.

Internal thread in brass.

External thread in galvanized steel quality class 5.8.

Sample order:

K0281.5706X20 (Please also indicate dimension L.)

Note:

SYMPA TOUCH turning grips are available in one size with internal and external threads.

On request:

Other external threads, screw lengths, versions and colours.

KIPP Turning grips with internal thread

Order No.	Form	D	D2	H	T
K0281.5705	K	M5	57,4	17	12,5
K0281.5706	K	M6	57,4	17	12,5
K0281.5708	K	M8	57,4	17	12,5
K0281.5710	K	M10	57,4	17	12,5

KIPP Turning grips with external thread

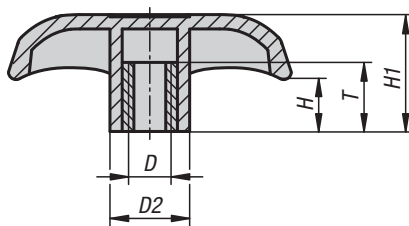
Order No.	Form	D1	D2	H	L = screw length
K0281.5706X	L	M6	57,4	17	15/20/25/35
K0281.5708X	L	M8	57,4	17	16/25/30/35
K0281.5710X	L	M10	57,4	17	30/40/50

Palm grips Soft

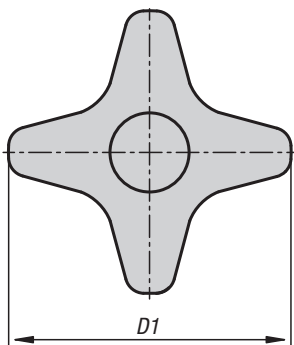
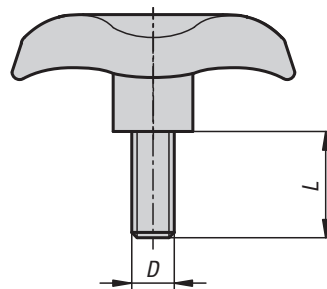
S^T



Form K
internal thread



Form L
external thread



Material, version:

Body in hard, black thermoplastic.
Coating in soft, black thermoplastic.
Bush and threaded bolt in steel 5.8, galvanized.

Sample order:

K0613.5108X20 (Please also indicate dimension L)

Note:

Palm grips with a soft gripping surface combine the stability of standard thermoplastic grips with the pleasant feel of the soft surface. The soft coating on the palm grips ensures a pleasant-to-grip and non-slip surface. Higher clamping forces can be achieved while being kind to the skin.

KIPP Soft palm grips with internal thread

Order No.	Form	D	D1	D2	H	H1	T	Approx. weight kg
K0613.5108	K	M8	51	15	10	22	13	0,016
K0613.5110	K	M10	51	15	10	22	13	0,033
K0613.7608	K	M8	76	19,5	13,5	28	20	0,018
K0613.7610	K	M10	76	19,5	13,5	28	20	0,035
K0613.7612	K	M12	76	19,5	13,5	28	20	0,037

KIPP Soft palm grips with external thread

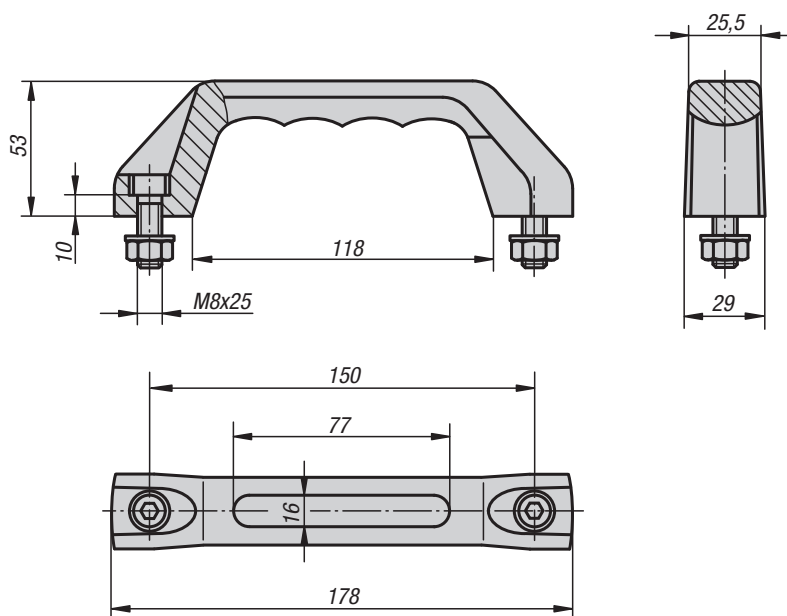
Order No.	Form	D	D1	D2	H	H1	L
K0613.5108X	L	M8	51	15	10	23	20/40
K0613.5110X	L	M10	51	15	10	23	20/40
K0613.7608X	L	M8	76	19,5	13,5	30	20/40
K0613.7610X	L	M10	76	19,5	13,5	30	20/40
K0613.7612X	L	M12	76	19,5	13,5	30	20/30/40

Stirrup-shaped handles

with soft inner surface



S^T



Material:

Hard component in glass-ball reinforced thermoplastic;
soft component in SEBS

Surface finish:

Hard component matt black;
soft component basalt grey

Sample order:

K0171.515008

Note:

Heavy-duty polyamide handle. Excellent carrying and gripping comfort thanks to its soft inner surface. Black galvanized cylindrical screws, nuts and washers are supplied.

For wet areas, the fastening material is supplied in refined steel (1.4301).

On request:

With and without individual inscription, embossed or raised. Hard component and soft component are available in all RAL colours.

KIPP Stirrup-shaped handles with soft inner surface

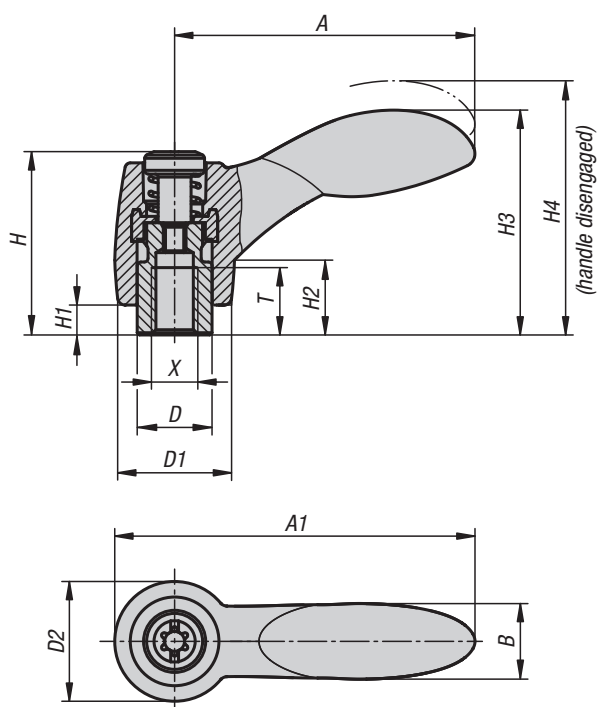
Order No.	Version	Load bearing capacity N	Approx. weight kg
K0171.515008	-	500	0,186
K0171.615008	for wet areas	500	0,186

Clamp levers 2K „COCKATOO“

two-component with internal thread



S^T



Material:

Handle:
Hard component in glass-fibre-reinforced plastic with toothed wheel in die cast zinc.
Soft component: Thermoflex based on SEBS.
Steel parts:
Strength class 5.8.

Surface finish:

Steel parts black oxide finish

Sample order:

K0125.10401

Note:

The hard and soft components are supplied in anthracite grey RAL 7021 as standard.

On request:

Other internal threads, colour combinations and special versions.

Dimension „H1“ available in other lengths on request at extra charge.



KIPP Clamp levers 2K with internal thread

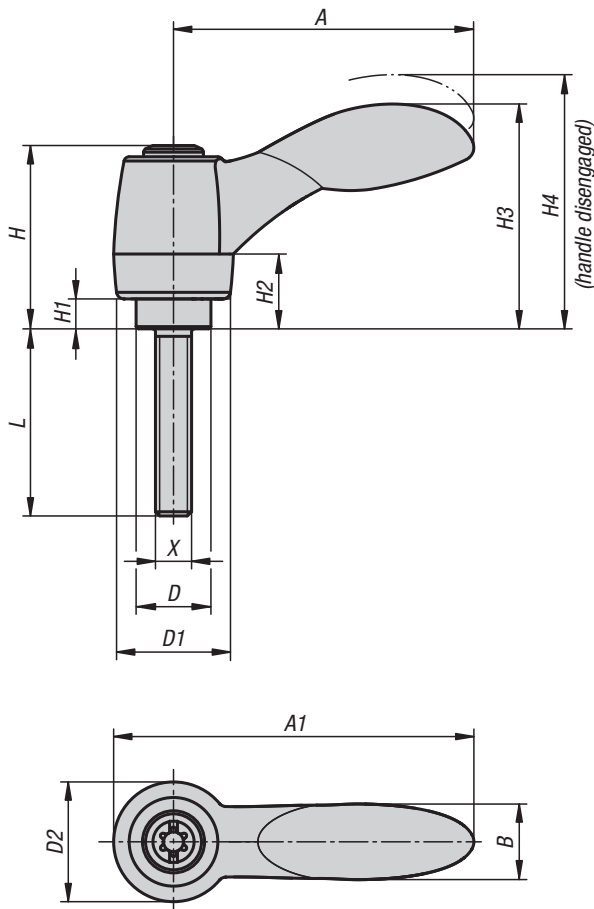
Order No.	Size	Internal thread X	T	D	D1	D2	H	H1	H2	H3	H4	A	A1	B	No. of teeth
K0125.10401	1	M4	9	10	15	16	24,5	4	10	30	33,5	40,1	48,1	10,1	16
K0125.10501	1	M5	9	10	15	16	24,5	4	10	30	33,5	40,1	48,1	10,1	16
K0125.10601	1	M6	9	10	15	16	24,5	4	10	30	33,5	40,1	48,1	10,1	16
K0125.20601	2	M6	12	13,5	17,5	19	28,5	6,5	12,5	41,2	45,2	64,9	74,4	17,6	20
K0125.20801	2	M8	12	13,5	17,5	19	28,5	6,5	12,5	41,2	45,2	64,9	74,4	17,6	20
K0125.30801	3	M8	14	16	21	22	37	10	17	51,6	56,1	80,2	91,2	20,7	22
K0125.31001	3	M10	14	16	21	22	37	10	17	51,6	56,1	80,2	91,2	20,7	22

Clamp levers 2K „COCKATOO“

two-component with external thread



S^T



Material:

Handle:

Hard component in glass-fibre-reinforced plastic with toothed wheel in die cast zinc.

Soft component: Thermoflex based on SEBS.

Steel parts:

Strength class 5.8.

Surface finish:

Steel parts black oxide finish

Sample order:

K0125.10501X10 (please also indicate dimension L)

Note:

The hard and soft components are supplied in anthracite grey RAL 7021 as standard.

On request:

Other external threads, screw lengths, colour combinations and special versions.

Dimension „H1“ available in other lengths on request at extra charge.

lift to disengage



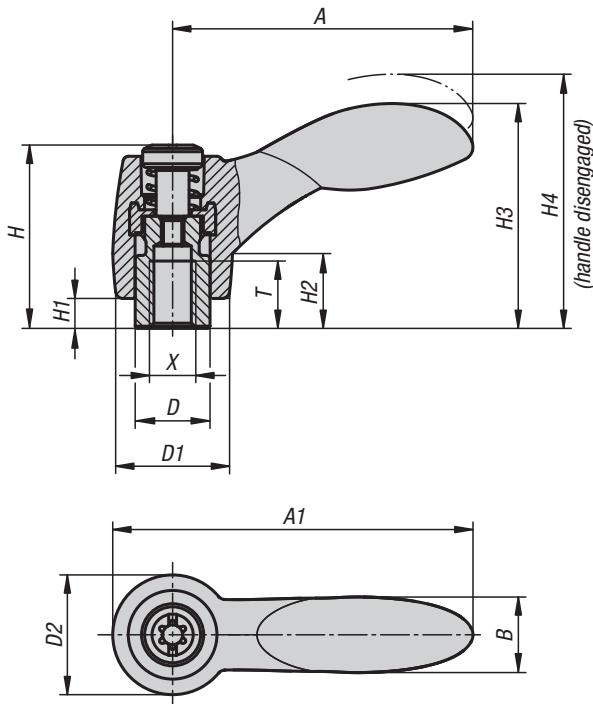
KIPP Clamp levers 2K with external thread

Order No.	Size	External thread X	D	D1	D2	H	H1	H2	H3	H4	A	A1	B	No. of teeth	L = screw length
K0125.10501X	1	M5	10	15	16	24,5	4	10	30	33,5	40,1	48,1	10,1	16	10/15/20/25/30/35/40/45/50
K0125.10601X	1	M6	10	15	16	24,5	4	10	30	33,5	40,1	48,1	10,1	16	10/15/20/25/30/35/40/45/50
K0125.20601X	2	M6	13,5	17,5	19	28,5	6,5	12,5	41,2	45,2	64,9	74,4	17,6	20	15/20/25/30/35/40/45/50/55/60
K0125.20801X	2	M8	13,5	17,5	19	28,5	6,5	12,5	41,2	45,2	64,9	74,4	17,6	20	15/20/25/30/35/40/45/50/55/60
K0125.21001X	2	M10	13,5	17,5	19	28,5	6,5	12,5	41,2	45,2	64,9	74,4	17,6	20	15/20/25/30/35/40/45/50/55/60
K0125.30801X	3	M8	16	21	22	37	10	17	51,6	56,1	80,2	91,2	20,7	22	15/20/25/30/35/40/45/50/55/60
K0125.31001X	3	M10	16	21	22	37	10	17	51,6	56,1	80,2	91,2	20,7	22	15/20/25/30/35/40/45/50/55/60

Clamp levers 2K „COCKATOO“

two-component with internal thread, steel parts in stainless steel

S^T



Material:

Handle:

Hard component in glass-fibre-reinforced plastic with toothed wheel in die cast zinc.

Soft component: Thermoflex based on SEBS.

Steel parts:

Stainless steel, 1.4305.

Surface finish:

Steel parts natural finish.

Sample order:

K0126.10401

Note:

The hard and soft components are supplied in anthracite grey RAL 7021 as standard.

On request:

Other internal threads, colour combinations and special versions.

Dimension „H1“ available in other lengths on request at extra charge.

lift to disengage



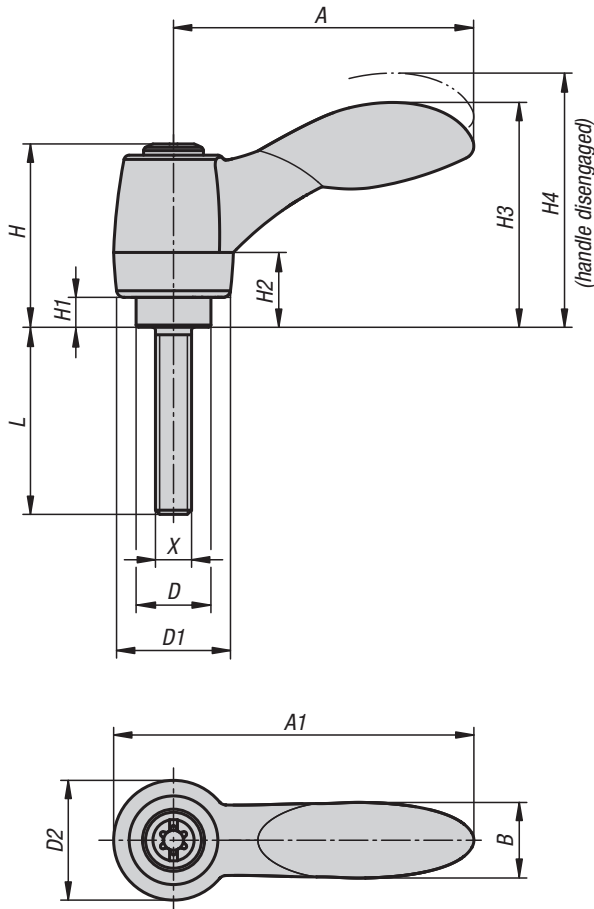
KIPP Clamp levers 2K with internal thread, steel parts in stainless steel

Order No.	Size	Internal thread X	T	D	D1	D2	H	H1	H2	H3	H4	A	A1	B	No. of teeth
K0126.10401	1	M4	9	10	15	16	24,5	4	10	30	33,5	40,1	48,1	10,1	16
K0126.10501	1	M5	9	10	15	16	24,5	4	10	30	33,5	40,1	48,1	10,1	16
K0126.10601	1	M6	9	10	15	16	24,5	4	10	30	33,5	40,1	48,1	10,1	16
K0126.20601	2	M6	12	13,5	17,5	19	28,5	6,5	12,5	41,2	45,2	64,9	74,4	17,6	20
K0126.20801	2	M8	12	13,5	17,5	19	28,5	6,5	12,5	41,2	45,2	64,9	74,4	17,6	20
K0126.30801	3	M8	14	16	21	22	37	10	17	51,6	56,1	80,2	91,2	20,7	22
K0126.31001	3	M10	14	16	21	22	37	10	17	51,6	56,1	80,2	91,2	20,7	22

Clamp levers 2K „COCKATOO“

two-component with external thread, steel parts in stainless steel

S^T



Material:

Handle:

Hard component in glass-fibre-reinforced plastic with toothed wheel in die cast zinc.

Soft component: Thermoflex based on SEBS.

Steel parts:

Stainless steel 1.4305

Surface finish:

Steel parts natural finish.

Sample order:

K0126.10501X10 (please also indicate dimension L)

Note:

The hard and soft components are supplied in anthracite grey RAL 7021 as standard.

On request:

Other external threads, screw lengths, colour combinations and special versions.

Dimension „H1“ available in other lengths at extra charge.

lift to disengage

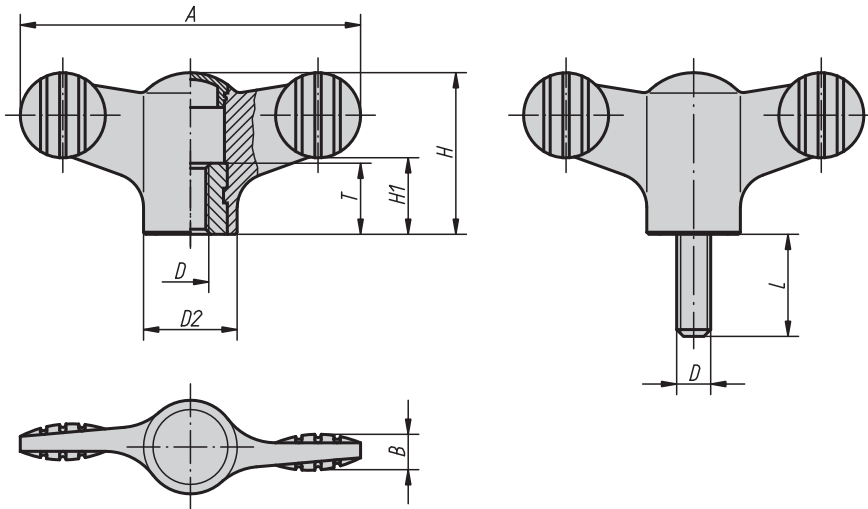


KIPP Clamp levers 2K with external thread, steel parts in stainless steel

Order No.	Size	External thread X	D	D1	D2	H	H1	H2	H3	H4	A	A1	B	No. of teeth	L = screw length
K0126.10501X	1	M5	10	15	16	24,5	4	10	30	33,5	40,1	48,1	10,1	16	10/15/20/25
K0126.10601X	1	M6	10	15	16	24,5	4	10	30	33,5	40,1	48,1	10,1	16	10/15/20/25/30/40/50
K0126.20601X	2	M6	13,5	17,5	19	28,5	6,5	12,5	41,2	45,2	64,9	74,4	17,6	20	15/20/25/30/40/50/60
K0126.20801X	2	M8	13,5	17,5	19	28,5	6,5	12,5	41,2	45,2	64,9	74,4	17,6	20	15/20/25/30/40/50/60
K0126.21001X	2	M10	13,5	17,5	19	28,5	6,5	12,5	41,2	45,2	64,9	74,4	17,6	20	20/25/30/40/50/60
K0126.30801X	3	M8	16	21	22	37	10	17	51,6	56,1	80,2	91,2	20,7	22	20/25/30/40/50/60
K0126.31001X	3	M10	16	21	22	37	10	17	51,6	56,1	80,2	91,2	20,7	22	20/25/30/40/50/60

Wing grips

N^G



For many people the modern Novo-Grip wing grips represent the perfect constructive and technical solution for absolutely „natural“ gripping. It enables more comfortable handling than ever before.

Material, surface finish:

Anthracite grey thermoplastic bush and threaded bolt in steel 5.8, blue chromated or in stainless steel 1.4305, natural finish

Sample order:

K0274.1057X20

(Grip cap colour bright yellow; please also indicate dimension L.)

Note:

Δ Add the desired cap colour here. No colour code is required with anthracite grey grip caps.



KIPP Wing grips with internal thread

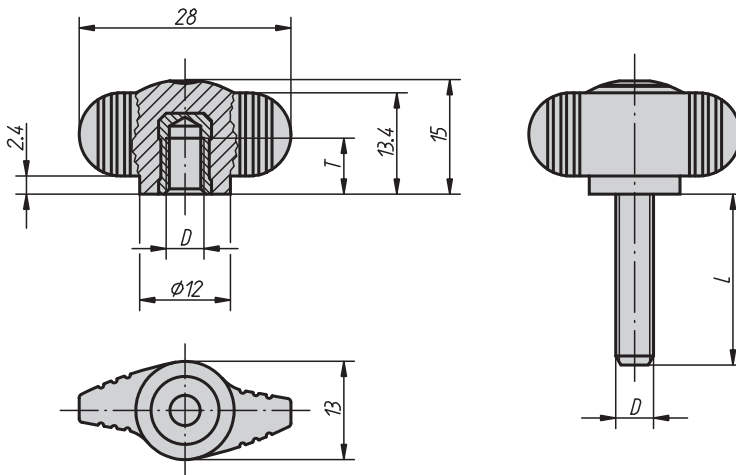
Order No. bush in steel	Order No. bush in stainless steel	D	D2	A	B	H	H1	T
K0274.904Δ	K0274.0904Δ	M4	12	38	4,5	18	8,5	10
K0274.905Δ	K0274.0905Δ	M5	12	38	4,5	18	8,5	10
K0274.906Δ	K0274.0906Δ	M6	12	38	4,5	18	8,5	10
K0274.105Δ	K0274.0105Δ	M5	14	50	5	24	11,5	10
K0274.106Δ	K0274.0106Δ	M6	14	50	5	24	11,5	10
K0274.208Δ	K0274.0208Δ	M8	21	75	7	35,6	16,5	14
K0274.210Δ	K0274.0210Δ	M10	21	75	7	35,6	16,5	14

KIPP Wing grips with external thread

Order No. bolts steel	Order No. bolts stainless steel	D	A	B	D2	H	H1	L = screw length
K0274.904ΔX	K0274.0904ΔX	M4	38	4,5	12	18	8,5	10/15
K0274.905ΔX	K0274.0905ΔX	M5	38	4,5	12	18	8,5	15/20/30
K0274.906ΔX	K0274.0906ΔX	M6	38	4,5	12	18	8,5	20/30/40
K0274.105ΔX	K0274.0105ΔX	M5	50	5	14	24	11,5	15/20
K0274.106ΔX	K0274.0106ΔX	M6	50	5	14	24	11,5	20/30/40
K0274.108ΔX	K0274.0108ΔX	M8	50	5	14	24	11,5	20/30/40
K0274.208ΔX	K0274.0208ΔX	M8	75	7	21	35,6	16,5	20/30/40
K0274.210ΔX	K0274.0210ΔX	M10	75	7	21	35,6	16,5	20/30/40/50

Miniwings

N^G



Technical emotions played an important role while developing these small-sized wing grips. The result is a miniwing that is far more than a means to an end. It is a well-planned operating and working part with finger-specific ergonomics.

Material, surface finish:

Anthracite grey thermoplastic.

Bush in brass or stainless steel 1.4305, natural finish.

Threaded bolt in steel 5.8, blue chromated or stainless steel 1.4305, natural finish.

Sample order:

K0274.005X10 (Please also indicate dimension L.)

KIPP Miniwings with internal thread

Order No.	Version	D	T	Approx. weight kg
K0274.004	bush brass	M4	6	0,003
K0274.005	bush brass	M5	7,5	0,004
K0274.006	bush brass	M6	9	0,005
K0274.0004	bush in stainless steel	M4	6	0,003
K0274.0005	bush in stainless steel	M5	7,5	0,004
K0274.0006	bush in stainless steel	M6	9	0,005

KIPP Miniwings with external thread

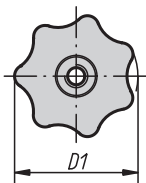
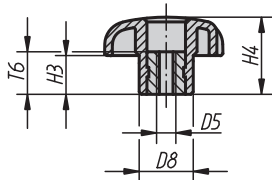
Order No.	Version	D	L = screw length
K0274.004X	bolts steel	M4	8
K0274.005X	bolts steel	M5	10/15/20
K0274.006X	bolts steel	M6	10/15/20/25/30
K0274.008X	bolts steel	M8	20/25/30/40
K0274.0004X	bolts stainless steel	M4	8
K0274.0005X	bolts stainless steel	M5	10/15/20
K0274.0006X	bolts stainless steel	M6	10/15/20/25/30
K0274.0008X	bolts stainless steel	M8	20/25/30/40

Star grips

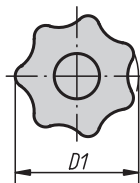
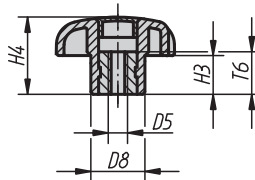
similar to DIN 6336, steel parts in stainless steel



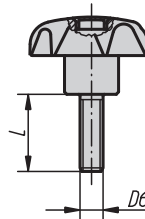
Form D
threaded bush
without cap



Form K
with threaded bush
with cap



Form L
with external thread



Material:

Black thermoplastic. Bush and threaded bolt in stainless steel X 10 CrNiS 18 9 = 1.4305.

Surface finish:

Bush and threaded bolt natural finish.

Sample order:

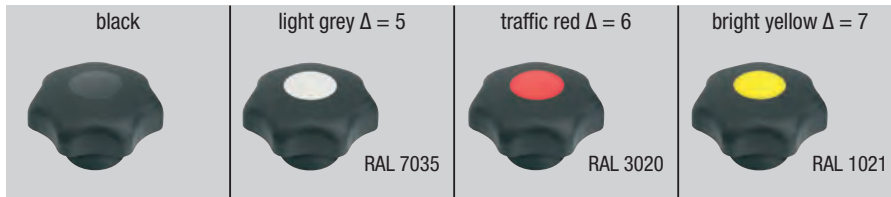
K0154.4067X30
(Grip cap colour bright yellow; please also indicate dimension L.)

Note:

Δ Add the desired cap colour here. No colour code is required with black wheel caps.

On request:

Other colours or designs, such as company logos.



KIPP Star Grips similar to DIN 6336, steel parts in stainless steel with internal thread, Form D

Order No.	Form	D1	D5	D8	H3	H4	T6
K0154.505	D	25	M5	12	8	16	10
K0154.506	D	32	M6	14	10	20	10
K0154.508	D	40	M8	18	13	25	14
K0154.510	D	50	M10	22	17	32	14
K0154.512	D	63	M12	26	21	40	18

KIPP Star Grips similar to DIN 6336, steel parts in stainless steel with internal thread, Form K

Order No.	Form	D1	D5	D8	H3	H4	T6	Approx. weight g
K0154.205Δ	K	25	M5	12	8	16	10	8
K0154.206Δ	K	32	M6	14	10	20	10	10
K0154.208Δ	K	40	M8	18	13	25	14	24
K0154.210Δ	K	50	M10	22	17	32	14	40
K0154.212Δ	K	63	M12	26	21	40	18	80

KIPP Star Grips similar to DIN 6336, steel parts in stainless steel with external thread, Form L

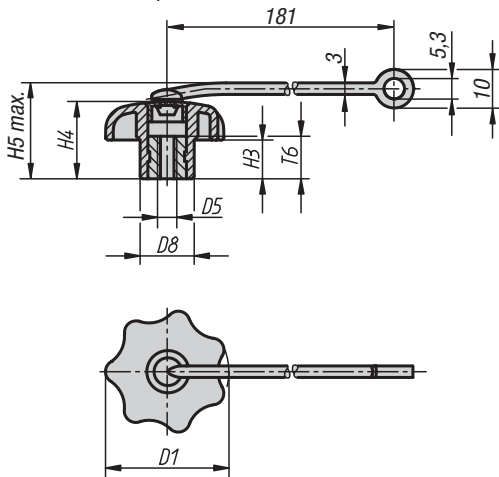
Order No.	Form	D1	D6	D8	H3	H4	L
K0154.405ΔX	L	25	M5	12	8	16	15/20
K0154.406ΔX	L	32	M6	14	10	20	20/30
K0154.408ΔX	L	40	M8	18	13	25	15/20/25/30/40/60
K0154.410ΔX	L	50	M10	22	17	32	25/30/40/50/60

Star grips with safety band

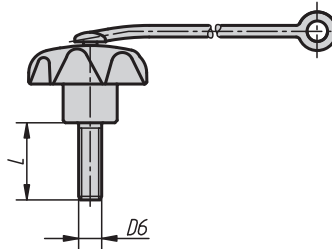
similar to DIN 6336, steel parts stainless steel



Form KS
threaded bush
with cap



Form LS
with external thread



Material:

Star grip made of thermoplast, bush and threaded bolts made of stainless steel 1.4305. Safety band made of elastic TPU.

Surface finish:

Bush and threaded bolt natural finish.

Sample order:

K0154.7056X15

(cap colour: traffic red; also indicate length L)

Note:

Δ Add the desired cap colour here. No colour code is required with a black cap colour.

With the safety band, the star grip can be attached to a base to make it unlosable.

The star grip remains in the immediate vicinity of the object.

This simplifies assembly / dismantling of the star grip and safer against loss.

Assembly:

Mount with the band in an untensioned condition.

Attention must be paid to a screwed-in and unscrewed condition.

Accessory:

The safety band can also be acquired in the accessories, see K0743.04190.



KIPP Star grips with safety band, steel parts in stainless steel, internal thread, Form KS

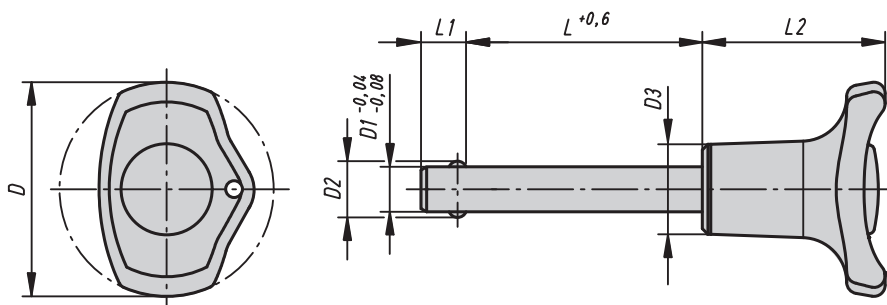
Order No.	Form	D1	D5	D8	H3	H4	H5 max.	T6
K0154.605Δ	KS	25	M5	12	8	16	22	10
K0154.606Δ	KS	32	M6	14	10	20	26	10
K0154.608Δ	KS	40	M8	18	13	25	31	14
K0154.610Δ	KS	50	M10	22	17	32	38	14
K0154.612Δ	KS	63	M12	26	21	40	46	18

KIPP Star grips with safety band, steel parts in stainless steel, external thread, Form LS

Order No.	Form	D1	D6	D8	H3	H4	H5 max.	L
K0154.705ΔX	LS	25	M5	12	8	16	22	15/20
K0154.706ΔX	LS	32	M6	14	10	20	26	20/30
K0154.708ΔX	LS	40	M8	18	13	25	31	15/20/25/30/40/60
K0154.710ΔX	LS	50	M10	22	17	32	38	25/30/40/50/60

Ball locking bolts

self-locking



Material:

Grip, push button thermoplast.
Steel parts stainless steel.

Version:

Grip, black.
Push button, red
Steel parts, bright.

Sample order:

K0363.3806050

(Please also indicate dimension L, e.g. 050 for L = 50 mm.)

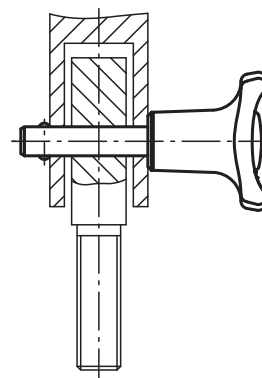
Note:

Ball locking bolts are used for fast and easy fixing and joining of parts and workpieces. The two balls can be disengaged by depressing the push button, so that the parts to be joined can be pegged. When the push button is released the balls lock the connection safely and permanently.

Shearing force double-shear (F) = S · τ aB max.

Accessory:

Safety spiral cable K0367.10200
Restraining cable with eye K0367.
Key ring K0367.15/19/23/28



KIPP Ball locking bolts self-locking

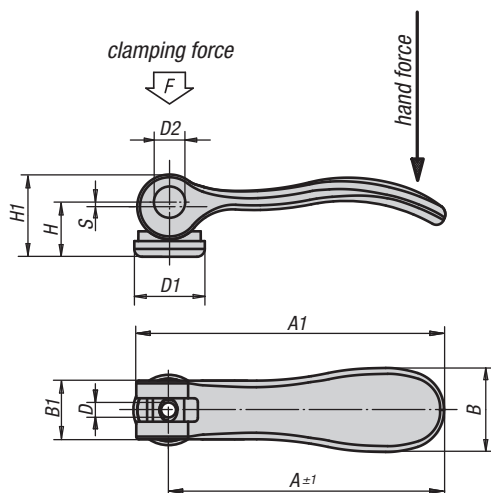
Order No.	D	D1	D2	D3	L	L1	L2	Receiving hole H11	Shearing force double shear max. kN
K0363.3805***	38	5	5,5	16	10/15/20/25/30	6	32,5	5	15
K0363.3806***	38	6	6,85	16	10/15/20/25/30/35/40/45/50	7	32,5	6	22
K0363.3808***	38	8	9,5	16	20/25/30/35/40/45/50	8	32,5	8	38
K0363.4710***	47	10	12	23	20/25/30/35/40/45/50/60	9	40	10	60
K0363.4712***	47	12	14,5	23	25/30/35/40/45/50/60/70/80	10	40	12	86
K0363.4716***	47	16	19	23	30/35/40/45/50/60/70/80	13	40	16	153

Cam levers

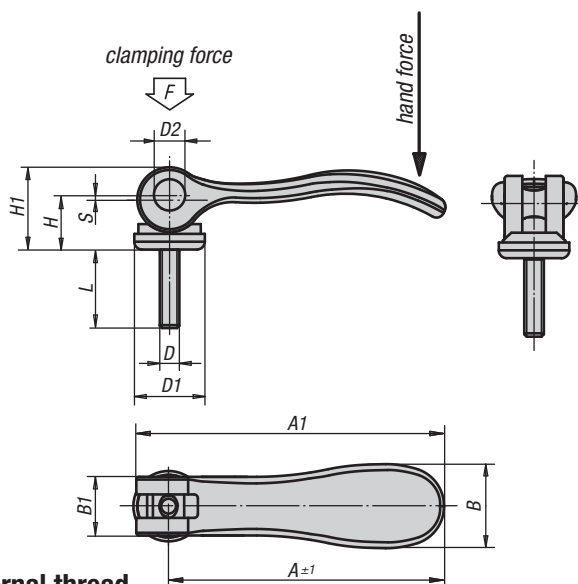
with internal thread and external thread, steel or stainless steel



Cam lever with internal thread



Cam lever with external thread



Material, surface finish:

Handle in cast aluminium EN AC-46200, black powder-coated;
thrust washer in glass-fibre reinforced plastic PA 66 GF 35-X, black;
hinge pin in stainless steel 1.4305, natural finish;
threaded stud and washer in steel, quality class 5.8, blue chromated or stainless steel 1.4305, natural finish

Sample order:

K0005.101105X20 (please also indicate dimension L)

Note:

Plastics are characterized by creeping under load (retardation).

KIPP Cam levers with internal thread

Order No. Steel	Order No. Stainless steel	Size	Internal thread D	D1	D2	B	B1	H	H1	A	A1	Clamping force F (kN)	Hand force N	Stroke S
K0005.9501103	K0005.9511103	9	M3	12	6	14,4	11,5	9	13	36,2	41,7	1,5	90	1
K0005.9501104	K0005.9511104	9	M4	12	6	14,4	11,5	9	13	36,2	41,7	1,5	90	1
K0005.0501104	K0005.0511104	0	M4	15,5	8	18	13	11,2	17	52,3	59	2,5	100	1
K0005.0501105	K0005.0511105	0	M5	15,5	8	18	13	11,2	17	52,3	59	2,5	100	1
K0005.101105	K0005.111105	1	M5	18	9	21,5	15	14,5	22	70,4	79,2	4	120	1,2
K0005.101106	K0005.111106	1	M6	18	9	21,5	15	14,5	22	70,4	79,2	4	120	1,2
K0005.201108	K0005.211108	2	M8	27	11	33,2	24	18	28,5	96	108	8	350	1,5

KIPP Cam levers with external thread

Order No. steel	Order No. stainless steel	Size	External thread D	Clamping force F (kN)	Hand force N	Stroke S	L = screw length
K0005.9501103X	K0005.9511103X	9	M3	1,5	90	1	10/15/30
K0005.9501104X	K0005.9511104X	9	M4	1,5	90	1	10/15/30
K0005.0501104X	K0005.0511104X	0	M4	2,5	100	1	15/20/30
K0005.0501105X	K0005.0511105X	0	M5	2,5	100	1	20/30/40/50
K0005.101105X	K0005.111105X	1	M5	4	120	1,2	20/30/40/50
K0005.101106X	K0005.111106X	1	M6	4	120	1,2	20/30/40/50
K0005.201108X	K0005.211108X	2	M8	8	350	1,5	25/30/40/50
K0005.201110X	K0005.211110X	2	M10	8	350	1,5	25/30/40/50

Product overview



Extract from main catalogue

Locking pins
K0365



Star grips
in stainless steel,
similar to DIN 6336
K0150



Locking bolts
K0338



Wing grips in stainless steel
K0273



Ball knobs
with smooth surface
to DIN 319
extended
K0159



Stirrup-shaped handles
in stainless steel
K0206



Clamp grips
K0255



Ng

Stirrup-shaped handles
in stainless steel
K0208



Buffer elements



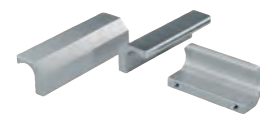
Stirrup-shaped handles,
in stainless steel
K0215



Clamp levers in stainless steel with
protective cap
with internal thread
K0124



Ledge handles
in stainless steel
K0233



Tension levers in stainless steel
with internal thread
K0109



Ball locking bolts
in stainless steel self-locking
K0364



Cam levers in stainless steel
with internal thread and external thread
K0645



Locking pins
K0365



Palm grips
in stainless steel,
similar to DIN 6335
K0146



Plates for swivel feet
with rubber plate
in steel or stainless steel
K0673



Fast by fax: +49 7454 793-7982

THE ENTIRE RANGE.

Please send me free of charge:

- KIPP Catalogue**
Operating Parts | Standard Elements
18,000 products for any application



- KIPP CAD 2D/3D library**
Perfect design data for fast
planning results



Name _____

Dept. _____

E-mail _____

Company _____

Street _____

Postal code/City _____

Tel. _____

Fax _____

Request documentation simply and quickly via the Internet: www.kipp.com

The standard terms and conditions of sale, delivery and payment that you can find on our website www.kipp.com apply.

HEINRICH KIPP WERK KG

Heubergstraße 2
72172 Sulz am Neckar
GERMANY

Telefon +49 7454 793-0
Telefax +49 7454 793-33
Internet www.kipp.com
E-Mail verkauf@kipp.com
technik@kipp.com

HEINRICH KIPP WERK KG

Heubergstraße 2

72172 Sulz am Neckar

GERMANY

Tel. +49 7454 793-0

Fax +49 7454 793-7982

info@kipp.com

www.kipp.com



WE01ENCAT1409