

2014

PRODUCT CATALOGUE



UNIT 4, 28 BLACKMOOR ROAD
EBBLAKE INDUSTRIAL ESTATE
VERWOOD, DORSET
BH31 6BB
UK

Tel +44 (0)1202 827701
Fax +44 (0)1202 813053
info@calmorehinges.co.uk
www.calmorehinges.co.uk

CALMORE MACHINERY CO LTD

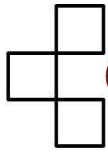
Established in 1973, CALMORE is one of the leading industrial components suppliers in the UK. We offer an extensive range of weld-on hinges and metal products, which are widely used in a range of industries including marine, machinery, containers, industrial doors and gates and the food processing industries. In our machinery section we supply a range of mixing equipments and spare parts. Through constant regard to the requirements of our customers, we have devoted ourselves to the development of quality products for the UK and overseas.



Page no. Sections

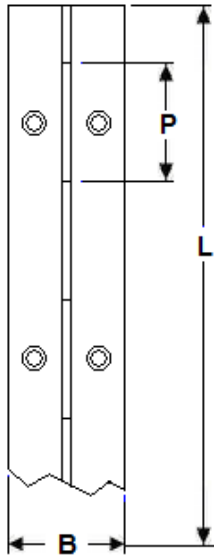
■ 4 - 95 HINGES





CALMORE

Hinges
Hardware
& Mixers

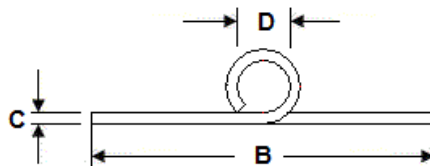


Code no. 01-100 CONTINUOUS HINGES

Drilled and countersunk, rolled

Options

- Hinge Material steel, Aluminium, brass
stainless steel
- Pin Material steel, brass, stainless steel
- Finish various
- Pitch P = 15 or 30 mm

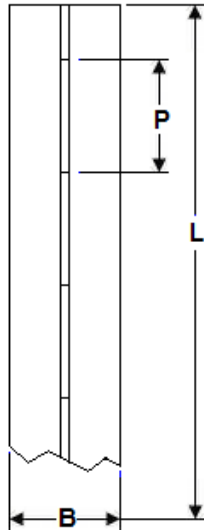


Code	Length = L	Open Width = B	Thickness = C	Dia = D	Code	Length = L	Open Width = B	Thickness = C	Dia = D
01-10020A	3500	20	0.7	1.75	01-10045B	3500	45	1.5	3.0
01-10020B	3500	20	1.0	1.75	01-10045D	3500	45	1.25	6.0
01-10025A	3500	25	0.7	1.75	01-10045E	3500	45	2.0	6.0
01-10025B	3500	25	1.0	1.75	01-10050A	3500	50	0.7	1.75
01-10028A	3500	28	0.7	1.75	01-10050B	3500	50	1.0	1.75
01-10028B	3500	28	1.0	1.75	01-10050C	3500	50	1.25	2.5
01-10028C	3500	28	1.0	3.0	01-10050D	3500	50	1.0	3.0
01-10030A	3500	30.5	1.0	1.75	01-10050E	3500	50	1.5	3.0
01-10032A	3500	32	0.7	1.75	01-10050F	3500	50	2.0	4.0
01-10032B	3500	32	1.0	1.75	01-10050G	3500	50	1.25	6.0
01-10032C	3500	32	1.0	3.0	01-10050H	3500	50	2.0	6.0
01-10032D	3500	32	1.25	2.5	01-10050I	3500	50	3.0	6.0
01-10032E	3500	32	1.5	3.0	01-10060A	3500	60	1.25	2.5
01-10038A	3500	38	1.0	3.0	01-10060B	3500	60	1.5	3.0
01-10040A	3500	40	0.7	1.75	01-10060E	3500	60	2.0	6.0
01-10040B	3500	40	1.0	1.75	01-10060F	3500	60	3.0	6.0
01-10040C	3500	40	1.25	2.5	01-10060G	3000	60	3.0	10.0
01-10040E	3500	40	1.5	3.0	01-10070B	3500	70	2.0	6.0
01-10040F	3500	40	2.0	4.0	01-10070C	3500	70	3.0	6.0
01-10040G	3500	40	1.25	6.0	01-10080B	3500	80	2.0	6.0
01-10040H	3500	40	2.0	6.0	01-10080C	3500	80	3.0	6.0
01-10040I	3500	40	3.0	6.0	01-100C1A	3500	100	2.0	6.0
01-10045A	3500	45	1.25	2.5	01-100C1B	3500	100	3.0	6.0

Dimensions in mm

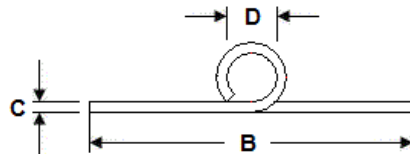


Hinges
Hardware
& Mixers



Code no. 01-101
CONTINUOUS HINGES
Blank, without holes

- Options
- Hinge Material steel
Aluminium
brass
stainless steel
 - Pin Material steel, brass
stainless steel
 - Finish various
 - Pitch P = 15 or 30 mm

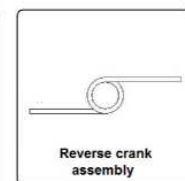
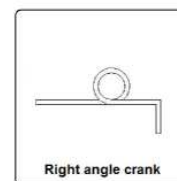
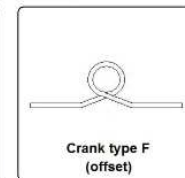
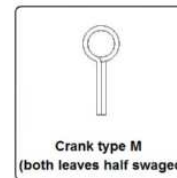
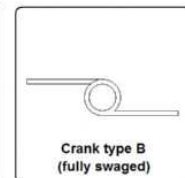
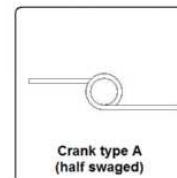


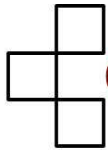
Dimensions in mm

Available on request

Code	Length = L	Open Width = B	Thickness = C	Dia = D
01-10120A	3500	20	0.7	1.75
01-10120M	1820	20	0.9	2.0
01-10120B	3500	20	1.0	1.75
01-10125A	3500	25	0.7	1.75
01-10125B	3500	25	1.0	1.75
01-10125F	1820	25	1.2	3.0
01-10128A	3500	28	0.7	1.75
01-10128B	3500	28	1.0	1.75
01-10130A	3500	30.5	1.0	1.75
01-10132A	3500	32	0.7	1.75
01-10132B	3500	32	1.0	1.75
01-10132C	1820	32	1.2	3.0
01-10132D	3500	32	1.25	2.5
01-10132E	3500	32	1.5	3.0
01-10138A	1820	38	1.2	3.0
01-10140A	3500	40	0.7	1.75
01-10140B	3500	40	1.0	1.75
01-10140C	3500	40	1.25	2.5
01-10140E	3500	40	1.5	3.0
01-10140F	3500	40	2.0	4.0
01-10140G	3500	40	1.25	6.0
01-10140H	3500	40	2.0	6.0
01-10140I	3500	40	3.0	6.0
01-10145A	3500	45	1.25	2.5
01-10145B	3500	45	1.5	3.0
01-10145C	3500	45	2.0	4.0
01-10145D	3500	45	1.25	6.0
01-10145E	3500	45	2.0	6.0

- Length cut to size
- Special hinges – cranked, unequal leaves, bending
- To customers special requirements





CALMORE

Hinges
Hardware
& Mixers

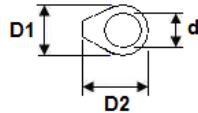
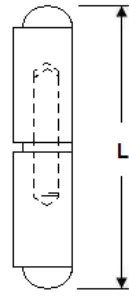
Code	Length = L	Open Width = B	Thickness = C	Dia = D
01-10150A	3500	50	0.7	1.75
01-10150B	3500	50	1.0	1.75
01-10150G	1820	50	1.20	3.0
01-10150C	3500	50	1.25	2.5
01-10150E	3500	50	1.5	3.0
01-10150F	3500	50	2.0	4.0
01-10150G	3500	50	1.25	6.0
01-10150H	3500	50	2.0	6.0
01-10150I	3500	50	3.0	6.0
01-10160A	3500	60	1.25	2.5
01-10160B	3500	60	1.5	3.0
01-10160C	3500	60	2.0	4.0
01-10160D	3500	60	1.25	6.0
01-10160E	3500	60	2.0	6.0
01-10160F	3500	60	3.0	6.0
01-10160G	3000	60	3.0	10.0
01-10163Y	1820	63	2.5	6.0
01-10170D	3500	70	1.25	2.5
01-10170A	3500	70	1.5	3.0
01-10170B	3500	70	2.0	6.0
01-10170C	3500	70	3.0	6.0
01-10170E	3000	70	3.0	10.0
01-10176J	1820	76	3.0	8.0
01-10180A	3500	80	1.5	3.0
01-10180B	3500	80	2.0	6.0
01-10180C	3500	80	3.0	6.0
01-10180D	3000	80	3.0	10.0
01-101C1A	3500	100	2.0	6.0
01-101C1B	3500	100	3.0	6.0
01-101C1P	1820	100	3.0	8.0
01-101C1C	3000	100	3.0	10.0
01-101C2A	3500	120	2.0	6.0
01-101C2B	3500	120	3.0	6.0
01-101C2C	3000	120	3.0	10.0
01-101C4A	3500	140	2.0	6.0
01-101C4B	3500	140	3.0	6.0
01-101C4C	3000	140	3.0	10.0
01-101C5A	3500	150	2.0	6.0
01-101C5B	3500	150	3.0	6.0
01-101C5C	3000	150	3.0	10.0
01-101C6A	3500	160	2.0	6.0
01-101C6B	3500	160	3.0	6.0
01-101C6C	3000	160	3.0	10.0
01-101C7A	3500	170	2.0	6.0
01-101C7B	3500	170	3.0	6.0
01-101C7C	3000	170	3.0	10.0
01-101C8A	3500	180	2.0	6.0
01-101C8B	3500	180	3.0	6.0

Our raw materials

Raw material	Thickness (mm)	Grade
Steel	0.7 - 1.0	DC 01, C 290, MC
Steel	1.25 - 1.5	DC 01 bright
Steel	2.0 - 3.0	DD 11 bright
Stainless steel	0.7 - 3.0	304 and 316
Solid brass	0.7- 1.0	Cu Zn 37 medium hardness, pre-polished
Solid brass	1.25 -3.0	Cu Zn 37 medium hardness, satin
Aluminium	0.7- 3.0	AlMg 3 G 22 medium hardness, satin



Hinges
Hardware
& Mixers



Code no. 10 WELD-ON BARREL HINGES

With round head, fixed pin

Options

- Hinge Material steel, stainless steel Grade 304 (ST/ST) and Grade 316, Aluminium
- Pin & Washer Material steel, brass, stainless steel
- Grease Nipple with or without

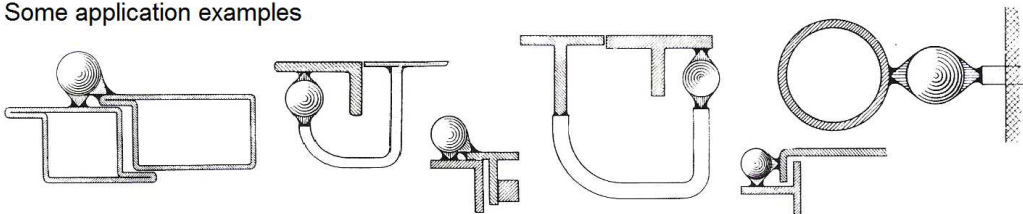
Code	Length = L	Cross Section = D1 / D2	Pin dia = d	Hinge Material	Pin Material	Washer Material	Grease Nipple	Weight (g)
10-040E	40	8/10	5	Steel (flat heads)	Steel	Brass	No	0.017
10-050SP	50	8/10	5	Steel	ST/ST	Brass	No	0.022
10-060	60	10/12	6	Steel	Steel	Brass	No	0.036
10-060BP	60	10/12	6	Steel	Brass	Brass	No	0.036
10-060SP	60	10/12	6	Steel	ST/ST	Brass	No	0.036
10-060STST	60	10/12	6	ST/ST	ST/ST	ST/ST	No	0.036
10-060A	60	10/12	6	Aluminium	ST/ST	Brass	No	0.018
10-070	70	10/12	6	Steel	Steel	Brass	No	0.046
10-070BP	70	10/12	6	Steel	Brass	Brass	No	0.046
10-070SP	70	11.5/13	6	Steel	ST/ST	Brass	No	0.046
10-080	80	13/16	8	Steel	Steel	Brass	No	0.083
10-080/GN	80	13/16	8	Steel	Steel	Brass	Yes	0.083
10-080BP	80	13/16	8	Steel	Brass	Brass	No	0.083
10-080BP/GN	80	13/16	8	Steel	Brass	Brass	Yes	0.083
10-080SP	80	13/16	8	Steel	ST/ST	Brass	No	0.083
10-080STST	80	13/16	8	ST/ST Grade 304	ST/ST	ST/ST	No	0.083
10-080ST316	80	13/16	8	ST/ST Grade 316	ST/ST	ST/ST	No	0.083
10-080A	80	13/16	8	Aluminium	ST/ST	Brass	No	0.04
10-100	100	16/20	10	Steel	Steel	Brass	No	0.168
10-100/GN	100	16/20	10	Steel	Steel	Brass	Yes	0.168
10-100BP	100	16/20	10	Steel	Brass	Brass	No	0.168
10-100SP	100	16/20	10	Steel	ST/ST	Brass	No	0.168
10-100SP/GN	100	16/20	10	Steel	ST/ST	Brass	Yes	0.168
10-100STST	100	16/20	10	ST/ST Grade 304	ST/ST	ST/ST	No	0.168
10-100ST316	100	16/20	10	ST/ST Grade 316	ST/ST	ST/ST	No	0.168
10-100STBP	100	16/20	10	ST/ST	Brass	Brass	No	0.168
10-100A	100	16/20	10	Aluminium	ST/ST	Brass	No	0.075

Dimensions in mm

Code	Length = L	Cross Section = D1/D2	Pin dia = d	Hinge Material	Pin Material	Washer Material	Grease Nipple	Weight (g)
10-120	120	16/20	10	Steel	Steel	Brass	No	0.20
10-120/GN	120	16/20	10	Steel	Steel	Brass	Yes	0.20
10-120BP	120	16/20	10	Steel	Brass	Brass	No	0.20
10-120BP/GN	120	16/20	10	Steel	Brass	Brass	Yes	0.20
10-120SP	120	16/20	10	Steel	ST/ST	Brass	No	0.20
10-120SP/GN	120	16/20	10	Steel	ST/ST	Brass	Yes	0.20
10-120STST	120	16/20	10	ST/ST	ST/ST	ST/ST	No	0.20
10-120A	120	16/20	10	Aluminium	ST/ST	Brass	No	0.087
10-135	135	18/22	12	Steel	Steel	Brass	No	0.29
10-135/GN	135	18/22	12	Steel	Steel	Brass	Yes	0.29
10-135BP	135	18/22	12	Steel	Brass	Brass	No	0.29
10-135BP/GN	135	18/22	12	Steel	Brass	Brass	Yes	0.29
10-135SP	135	18/22	12	Steel	ST/ST	Brass	No	0.29
10-135SP/GN	135	18/22	12	Steel	ST/ST	Brass	Yes	0.29
10-135STST	135	18/22	12	ST/ST	ST/ST	ST/ST	No	0.29
10-150	150	20/25	13	Steel	Steel	Brass	No	0.39
10-150/GN	150	20/25	13	Steel	Steel	Brass	Yes	0.39
10-150BP	150	20/25	13	Steel	Brass	Brass	No	0.39
10-150BP/GN	150	20/25	13	Steel	Brass	Brass	Yes	0.39
10-150SP	150	20/25	13	Steel	ST/ST	Brass	No	0.39
10-150SP/GN	150	20/25	13	Steel	ST/ST	Brass	Yes	0.39
10-150STST	150	20/25	13	ST/ST Grade 304	ST/ST	ST/ST	No	0.39
10-150ST316	150	20/25	13	ST/ST Grade 316	ST/ST	ST/ST	No	0.39
10-150A	150	20/25	13	Aluminium	ST/ST	Brass	No	0.18
10-180	180	20/25	13	Steel	Steel	Brass	No	0.48
10-180/GN	180	20/25	13	Steel	Steel	Brass	Yes	0.48
10-180BP	180	20/25	13	Steel	Brass	Brass	No	0.48
10-180BP/GN	180	20/25	13	Steel	Brass	Brass	Yes	0.48
10-180SP	180	20/25	13	Steel	ST/ST	Brass	No	0.48
10-180SP/GN	180	20/25	13	Steel	ST/ST	Brass	Yes	0.48
10-180STST	180	20/25	13	ST/ST	ST/ST	ST/ST	No	0.48
10-180A	180	20/25	13	Aluminium	ST/ST	Brass	No	0.209
10-200	200	23/29	16	Steel	Steel	Brass	No	0.71
10-200/GN	200	23/29	16	Steel	Steel	Brass	Yes	0.71
10-200BP	200	23/29	16	Steel	Brass	Brass	No	0.71
10-200BP/GN	200	23/29	16	Steel	Brass	Brass	Yes	0.71
10-200SP	200	23/29	16	Steel	ST/ST	Brass	No	0.71
10-200SP/GN	200	23/29	16	Steel	ST/ST	Brass	Yes	0.71
10-200STST	200	23/29	16	ST/ST Grade 304	ST/ST	ST/ST	No	0.71
10-200ST316	200	23/29	16	ST/ST Grade 316	ST/ST	ST/ST	No	0.71
10-260	260	28/37	19	Steel	Steel	Brass	No	1.10
10-260/GN	260	28/37	19	Steel	Steel	Brass	Yes	1.10
10-260BP	260	28/37	19	Steel	Brass	Brass	No	1.10
10-260BP/GN	260	28/37	19	Steel	Brass	Brass	Yes	1.10

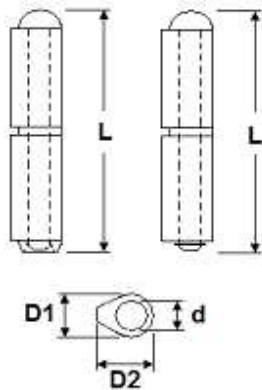
Dimensions in mm

Some application examples





Hinges
Hardware
& Mixers



Code no. 11
WELD-ON BARREL HINGES
With round head, loose pin

- Options
- Hinge Material steel, stainless steel
 - Pin & Washer Material steel, brass
 - Grease Nipple is optional
 - Cir clip

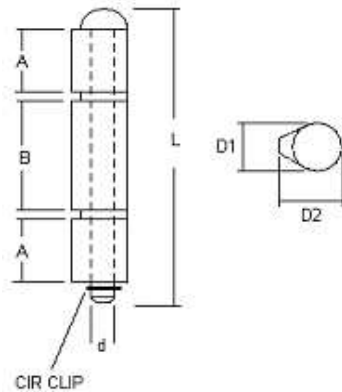
Code	Length = L	Cross Section = D1 / D2	Pin dia = d	Hinge Material	Pin Material	Weight /100sets (kg)
11-060	60	10/12	6	Steel	Steel	3.6
11-060BP	60	10/12	6	Steel	Brass	3.6
11-060STST	60	10/12	6	ST/ST	ST/ST	3.6
11-080	80	13/16	8	Steel	Steel	8.3
11-080BP	80	13/16	8	Steel	Brass	8.3
11-080STST	80	13/16	8	ST/ST	ST/ST	8.3
11-100	100	16/20	10	Steel	Steel	16.8
11-100BP	100	16/20	10	Steel	Brass	16.8
11-100STST	100	16/20	10	ST/ST	ST/ST	16.8
11-120	120	16/20	10	Steel	Steel	20
11-120BP	120	16/20	10	Steel	Brass	20
11-120STST	120	16/20	10	ST/ST	ST/ST	20
11-135	135	18/22	12	Steel	Steel	29
11-135BP	135	18/22	12	Steel	Brass	29
11-150	150	20/25	13	Steel	Steel	39
11-150BP	150	20/25	13	Steel	Brass	39
11-150STST	150	20/25	13	ST/ST	ST/ST	39
11-180	180	20/25	13	Steel	Steel	48
11-180BP	180	20/25	13	Steel	Brass	48
11-180STST	180	20/25	13	ST/ST	ST/ST	48
11-200	200	23/29	16	Steel	Steel	71
11-200BP	200	23/29	16	Steel	Brass	71

Dimensions in mm



CALMORE

Hinges
Hardware
& Mixers



Code no. 14-020
LOOSE PIN 3-PART HINGES
Loose pin 3 part hinge with cir clip

Options

- Hinge Material steel, * stainless steel
- Pin Material steel, stainless steel or brass
- Grease Nipple with or without
- Brass washers or Thrust roller bearings

Code	Length = L	Cross Section = D1/D2	Pin dia = d	Part A = A	Part B = B	Pin Material	Grease Nipple	Weight/100sets (kg)
14-020ASG	135	18/22.5	12	30	50	Steel	Yes	27
14-020ASN	135	18/22.5	12	30	50	Steel	No	27
14-020ABG	135	18/22.5	12	30	50	Brass	Yes	27
14-020ABN	135	18/22.5	12	30	50	Brass	No	27
14-020BSG	150	20/25.5 *	13	35	55	Steel	Yes	40
14-020BSN	150	20/25.5 *	13	35	55	Steel	No	40
14-020BBG	150	20/25.5 *	13	35	55	Brass	Yes	40
14-020BBN	150	20/25.5 *	13	35	55	Brass	No	40
14-020BST	150	20/25.5 *	13	35	55	Stainless	No	40
14-020CSG	180	20/25.5 *	13	45	65	Steel	Yes	48
14-020CSN	180	20/25.5 *	13	45	65	Steel	No	48
14-020CBG	180	20/25.5 *	13	45	65	Brass	Yes	48
14-020CBN	180	20/25.5 *	13	45	65	Brass	No	48
14-020CST	180	20/25.5 *	13	45	65	Stainless	No	48
14-020DSG	200	23/29	16	48	78	Steel	Yes	71
14-020DSN	200	23/29	16	48	78	Steel	No	71
14-020DBG	200	23/29	16	48	78	Brass	Yes	71
14-020DBN	200	23/29	16	48	78	Brass	No	71
14-020DST	200	23/29	16	48	78	Stainless	No	71

Dimensions in mm



Code no. 14-030

LOOSE PIN 3-PART HINGES

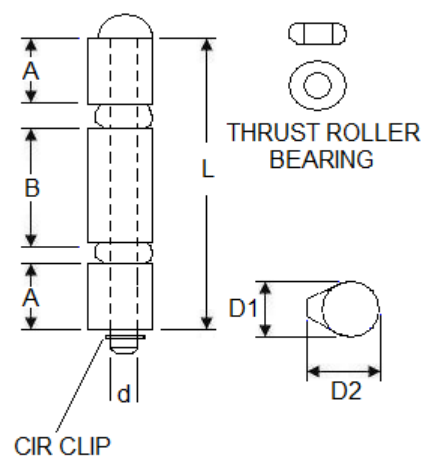
Loose pin 3 part hinge with thrust bearings and cir clip, made from solid profiles

Options

- Hinge Material steel, * stainless steel
- Pin Material steel or brass
- Grease Nipple with or without

Code	Length = L	Cross Section = D1/D2	Pin dia = d	Part A = A	Part B = B	Pin Material	Grease Nipple	Weight/100sets (kg)
14-030ASG	90	20/25.5*	12	19.5	35	Steel	Yes	26
14-030ASN	90	20/25.5*	12	19.5	35	Steel	No	26
14-030ABG	90	20/25.5*	12	19.5	35	Brass	Yes	26
14-030ABN	90	20/25.5*	12	19.5	35	Brass	No	26
14-030BSG	110	23/29	13	25	44	Steel	Yes	40
14-030BSN	110	23/29	13	25	44	Steel	No	40
14-030BBG	110	23/29	13	25	44	Brass	Yes	40
14-030BBN	110	23/29	13	25	44	Brass	No	40

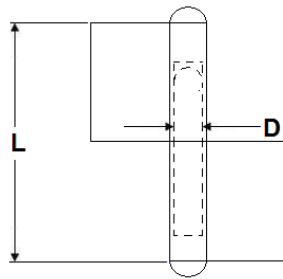
Dimensions in mm





CALMORE

Hinges
Hardware
& Mixers

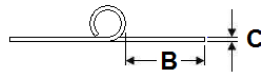


Code no. 17-000
ROLLED FLAG HINGES

Fixed pin, 2 part rolled steel hinges with end caps and brass washer
Self colour, no holes
Hinges are handed

Options

- Hinge Material steel, stainless steel
- Pin Material steel, stainless steel, brass



LEFT HAND HINGE

RIGHT HAND HINGE

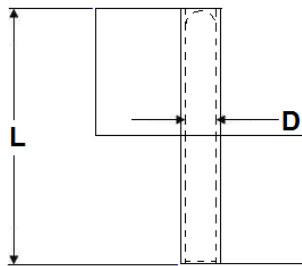
Code	Length = L	Width = B	Thickness = C	Pin dia = D	Pin Material *Note	Weight/ 100sets (kg)
17-000A	80	30	3	10	Steel	18
17-000ASP	80	30	3	10	Stainless steel	18
17-000AST	80	30	3	10	*hinge is fully in stainless steel	18
17-000AB	80	30	3	10	Brass	18
17-000B	100	30	3	10	Steel	23
17-000BSP	100	30	3	10	Stainless steel	23
17-000BST	100	30	3	10	*hinge is fully in stainless steel	23
17-000BST316	100	50	3	10	*hinge is fully in stainless steel 316	23
17-000BB	100	30	3	10	Brass	23

Dimensions in mm



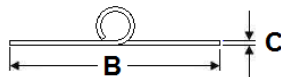
CALMORE

Hinges
Hardware
& Mixers



Code no. 17-000
ROLLED FLAG HINGES
Fixed pin, 2 part rolled steel hinges
Self colour, no holes
Hinges are handed

Options
• Brass washers



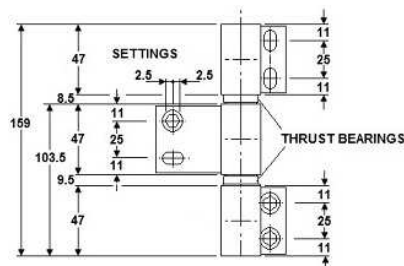
LEFT HAND HINGE

RIGHT HAND HINGE

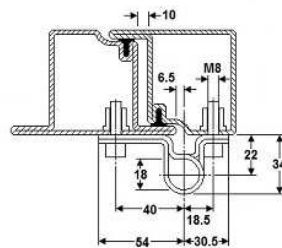
Code	Length = L	Width = B	Thickness = C	Pin dia = D	Pin Material *Note
17-000C	51	38	1.2	3.2	Steel
17-000D	63.5	41	1.6	4.7	Steel
17-000E	76	51	2	6.3	Steel
17-000F	76	90	3	8	Steel
17-000G	102	76	3	9.5	Steel
17-000H	102	76	4.5	12.7	Steel

Dimensions in mm

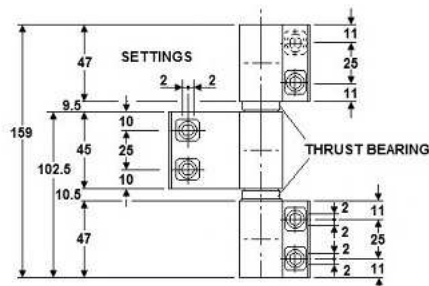
Code no. 17-07
SPECIAL HINGES
FOR HEAVY DOORS AND FIRE DOORS
With thrust bearings



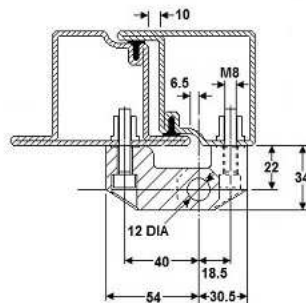
Code No.17-072A
3-part hinge, L 160 mm, steel
The maximum door weight: 160kg
Net Weight: 1030g / unit



Code No.17-072B
3-part hinge with self-closing spring
L 160 mm, steel
Maximum door weight 160kg
Net Weight: 1050g / unit



Code No.17-074A
2-part hinge, L 160 mm, steel, max. door weight 80kg. N.Weight: 850g / unit



Code No.17-074E
3-part hinge, L 160 mm, steel, max. door weight 150kg
Net Weight: 1050g / unit

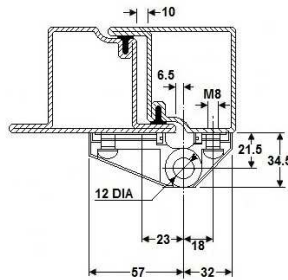
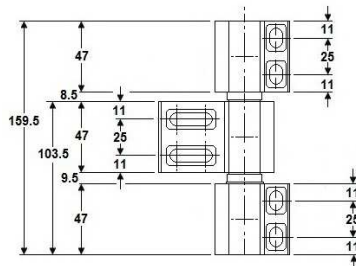
Code No.17-074F
3-part hinge with self-closing spring, steel
Net Weight: 1000g / unit

Code No.17-074G
2-part hinge, stainless steel
Net Weight: 850g / unit

Code No.17-074H
3-part hinge, stainless steel
Net Weight: 850g / unit

Dimensions in mm

Code no. 17-07
**SPECIAL HINGES
FOR HEAVY DOORS AND FIRE DOORS**
With thrust bearings



Code No.17-076J

2-part hinge, L 160 mm, steel, max. door weight 80kg
Net Weight: 850g / unit

Code No.17-076L

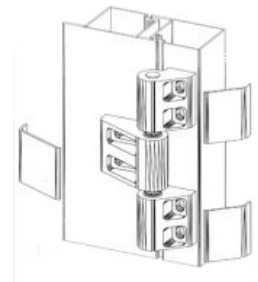
3-part hinge, L 160 mm, steel, max. door weight 150kg
Net Weight: 1050g / unit

Code No.17-076N

3-part hinge with self-closing spring, steel.
Net Weight: 1050g / unit

Code No.17-074Q

3-part hinge, stainless steel
Net Weight: 1050g / unit

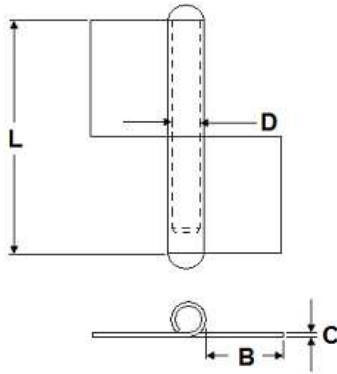


Dimensions in mm



CALMORE

Hinges
Hardware
& Mixers



Code no. 17-020

ROLLED FLAG HINGES

Loose pin, 2 part rolled steel hinges with round end caps and brass washer
Self colour, no holes
Hinges are handed

Options

- Hinge Material steel, stainless steel
- Pin Material steel, stainless steel, brass
- End cap is optional

LEFT HAND HINGE

RIGHT HAND HINGE

Code	Length = L	Width = B	Thickness = C	Pin dia = D	Pin Material *Note	Weight/100sets (kg)
17-020A	80	30	3	10	Steel	12
17-020ASP	80	30	3	10	Stainless steel	12
17-020AST	80	30	3	10	*hinge is fully in stainless steel	12
17-020AB	80	30	3	10	Brass	12
17-020B	100	30	3	10	Steel	22
17-020BSP	100	30	3	10	Stainless steel	22
17-020BST	100	30	3	10	*hinge is fully in stainless steel	22
17-020BB	100	30	3	10	Brass	22
17-020C	140	50	4	14	Steel	72
17-020CB	140	50	4	14	Brass	72
17-020D	160	50	4	14	Steel	84
17-020DB	160	50	4	14	Brass	84
17-020E	180	50	5	16	Steel	90
17-020EB	180	50	5	16	Brass	90
17-020F	200	50	5	16	Steel	100
17-020FB	200	50	5	16	Brass	100

Dimensions in mm



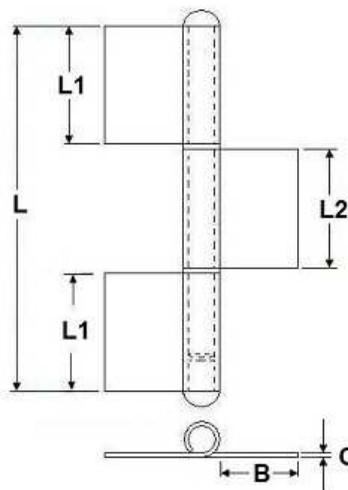
RIGHT HAND

Code no. 17-050
ROLLED FLAG HINGES

Loose pin, 3 part rolled steel hinges with round end caps and brass washers
Self colour, no holes
Hinges are handed

Options

- Hinge Material steel, stainless steel
- Pin & Washer Material steel, brass, stainless steel
- Grease Nipple with or without



LEFT HAND

Code	Length = L	Width = B	Thickness = C	Section Length = L1	Middle Section Length = L2	Pin dia = d	Hinge Material
17-050A	135	30	3	40	50	10	Steel
17-050S	135	30	3	40	50	10	ST/ST
17-050B	223	50	4	70	80	14	Steel
17-050C	290	50	5	90	100	16	Steel

Dimensions in mm



CALMORE

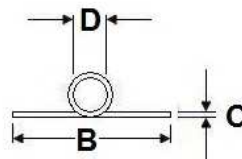
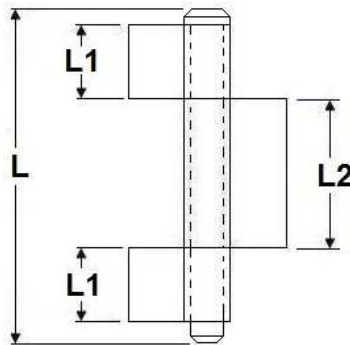
Hinges
Hardware
& Mixers



Code no. 17-050
ROLLED FLAG HINGES

Loose pin, 3-part rolled steel hinges with one flat end cap, without washers
Self colour, no holes
Hinges are handed

- Options
- Hinge Material steel
 - Pin Material steel
 - Grease Nipple without



Code	Length = L	Width = B	Thickness = C	Section Length = L1	Middle Section Length = L2	Pin dia = d	Hinge Material	Weight /100sets (kg)
17-050L	110	105		40	50	15	Steel	27
17-050M	140	95		40	70	18	Steel	40
17-050N	170	110		70	80	20	Steel	64
17-050P	200	115		90	100	22	Steel	75

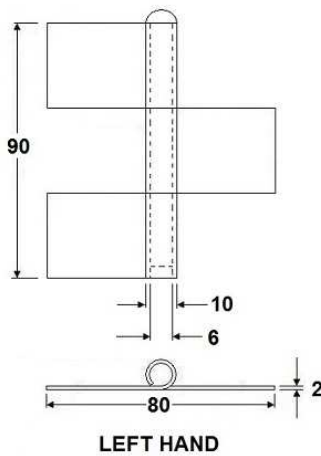
Dimensions in mm

Code no. 17-050

ROLLED FLAG HINGES

Loose pin, 3-part rolled stainless steel hinges with one end cap. Self colour, no holes.

Hinges are handed.



Code no. 17-050T

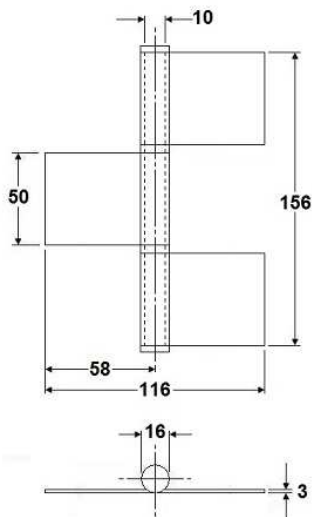
3-PART ROLLED FLAG HINGES

stainless steel 304 body with loose stainless steel pin \varnothing 6 mm, plain steel finish, 3 knuckles of each L2=30 mm and knuckle \varnothing 10 mm, suitable for welding

loose pin: \varnothing 6 x 76 mm with top rounded head without washers

Options: Left Hand, Right Hand

L 90 x B 80 x 2 mm, pin dia. 6 mm



Code no. 17-050V

3-PART ROLLED FLAG HINGES

stainless steel 316 body with loose stainless steel pin \varnothing 10 mm, plain S/S finish, 3 knuckles of each L2=50 mm and knuckle \varnothing 16 mm, suitable for welding

loose pin: \varnothing 10 mm with top flat head with 2 pcs of stainless steel bearings

Options: Left Hand, Right Hand

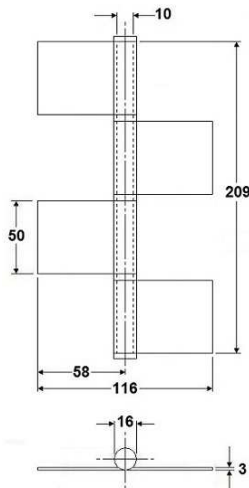
L 156 x B 116 x 3 mm, pin dia. 10 mm

Dimensions in mm

Code no. 17-050

ROLLED FLAG HINGES

Loose pin, rolled stainless steel 316 hinges with one flat end cap, with S/S bearings, self colour, no holes. Hinges are handed



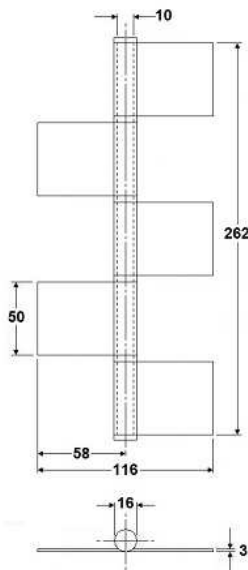
Code no. 17-050X

4-PART ROLLED FLAG HINGES

stainless steel 316 body with loose stainless steel pin \varnothing 10 mm, plain S/S finish, 4 knuckles of each L2=50 mm and knuckle \varnothing 16 mm , suitable for welding

loose pin: \varnothing 10 mm with top flat head
with 3 pcs of stainless steel bearings
Options: Left Hand, Right Hand

L 209 x B 116 x 3 mm, pin dia. 10 mm



Code no. 17-050Y

5-PART ROLLED FLAG HINGES

stainless steel 316 body with loose stainless steel pin \varnothing 10 mm, plain S/S finish, 5 knuckles of each L2=50 mm and knuckle \varnothing 16 mm , suitable for welding

loose pin: \varnothing 10 mm with top flat head
with 4 pcs of stainless steel bearings
Options: Left Hand, Right Hand

L 262 x B 116 x 3 mm, pin dia. 10 mm

Dimensions in mm

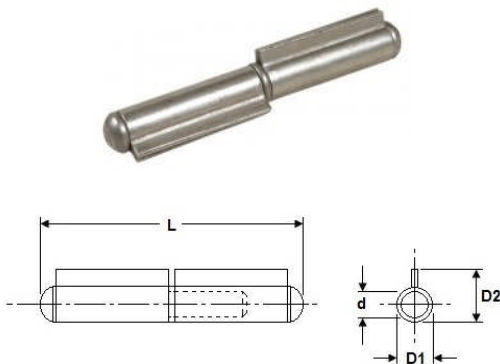
Code no. 18 WELD-ON BARREL HINGES

Options

- Hinge Material steel, stainless steel
- Pin & Washer Material steel pin with brass washer, S/S pin with S/S washer
- Grease Nipple no

Code no.18-010

Weld-on barrel hinge with fixed pin. Material: mild steel



Code	Length = L	Cross Section = D1 / D2	Pin dia = d
18-010A	60	12/17	8
18-010B	80	12/17	8
18-010C	100	13.5/19	9
18-010D	120	14.5/20	10
18-010E	140	16/21	11
18-010F	170	17/23.5	12
18-010G	200	20/26.5	14

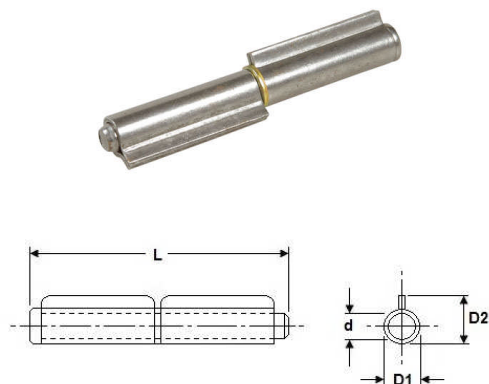
Weld-on barrel hinge with fixed pin.

Material: stainless steel

18-010BS	80	12/17	8
18-010CS	100	13.5/19	9
18-010DS	120	14.5/20	10
18-010ES	140	16/21	11

Code no.18-020

Weld-on barrel hinge with loose pin. Material: mild steel
White galvanized pin, washer and wings



Code	Length = L	Cross Section = D1 / D2	Pin dia = d
18-020A	60	9.5/13	6
18-020B	80	12/16.5	8
18-020C	100	13.5/18	8.5
18-020D	120	15/19.5	10
18-020E	140	16.6/22	10.5
18-020F	170	17.5/23.5	12
18-020G	200	20/25	14

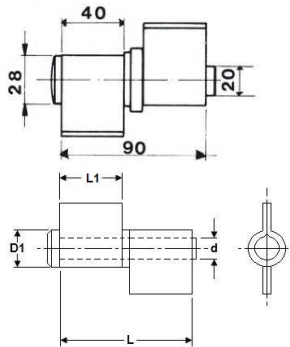
*Material: S=stainless steel for B, C, D & E

Dimensions in mm

Code no. 18
WELD-ON BARREL HINGES

Options

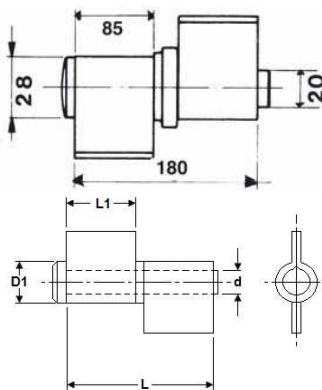
- Hinge Material steel
- Pin & Washer Material please check the individual code
- Grease Nipple no



Code no.18-030C

Heavy duty hinge with loose pin, closed wings.
Max door weight 80kg. Material: mild steel body & pin

Code	Length = L	Length = L1	Cross = D1	Pin dia = d	Note
18-030C	90	40	28	20	Brass washer
18-030CR	90	40	28	20	Ball bearing



Code no.18-030CL

Heavy duty hinge with loose pin, closed wings.
Max door weight 100kg. Material: mild steel body & pin

Code	Length = L	Length = L1	Cross = D1	Pin dia = d	Note
18-030CL	180	85	28	20	Brass washer
18-030CLR	180	85	28	20	Ball bearing

Dimensions in mm

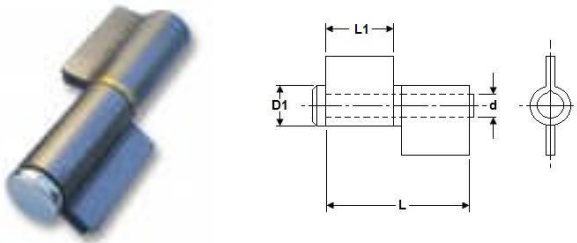
Code no. 18
WELD-ON BARREL HINGES

Options

- Hinge Material steel, stainless steel
- Pin & Washer Material steel pin with brass washer, S/S pin with S/S washer
- Grease Nipple no

Code no.18-030D

Heavy duty hinge with loose pin, closed wings
18-030D: designed for the max. door weight 30kg
18-030DM: designed for the max. door weight 50kg

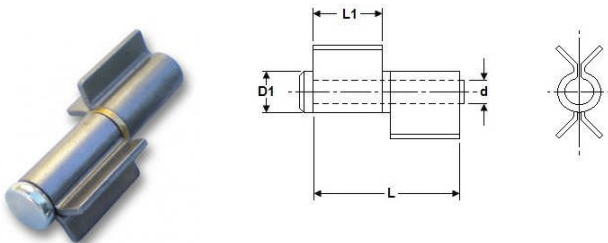


Material: mild steel body

Code	Length = L	Length = L1	Cross = D1	Pin dia = d
18-030D	90	40	18	12
18-030DM	90	41	23	16

Code no.18-030E

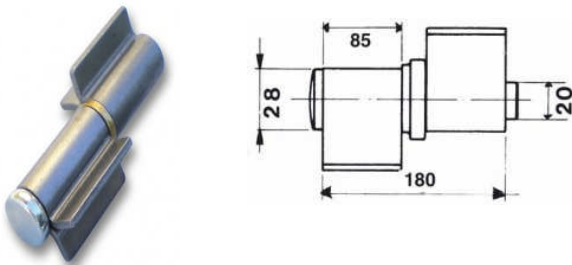
Heavy duty hinge with loose pin
18-030E: designed for the max. door weight 30kg
18-030EB: designed for the max. door weight 50kg
18-030ES: designed for the max. door weight 50kg



Code	Length = L	Length = L1	Cross = D1	Pin dia = d	Material
18-030E	90	40	18	12	Steel
18-030EB	90	41	23	16	Steel
18-030ES	90	41	23	16	S/S

Code no.18-030EL

Heavy duty hinge with loose pin
Max door weight 100kg. Material: mild steel body & pin



Code	Length = L	Length = L1	Cross = D1	Pin dia = d	Note
18-030EL	180	85	28	20	Brass washer
18-030ELR	180	85	28	20	Ball bearing

Dimensions in mm

Code no. 18 WELD-ON BARREL HINGES

Options

- Hinge Material steel, stainless steel
- Pin & Washer Material please check the individual code no
- Grease Nipple no

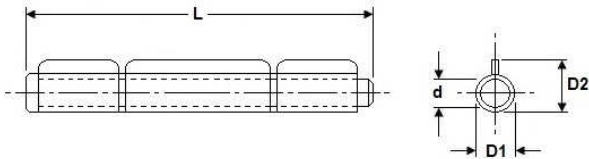


Code no.18-050

3-part heavy duty hinge with loose pin

Material: steel body with galvanized pin, washer
Or, fully in stainless steel

Max. door weight: 70, 90, 100, 100, 120, 140kg
L 80, 100, 120, 140, 170, 200 mm hinges



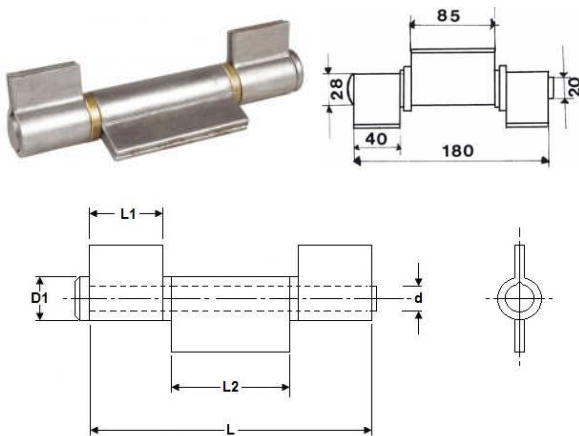
Code	Length = L	Cross = D1/D2	Pin dia = d	Material
18-050B	80	12/16.5	8	Steel
18-050BZ	80	12/16.5	8	Steel+Z
18-050BS	80	12/16.5	8	S/S
18-050C	100	13.5/18	8.5	Steel
18-050CZ	100	13.5/18	8.5	Steel+Z
18-050CS	100	13.5/18	8.5	S/S
18-050D	120	15/19.5	10	Steel
18-050DZ	120	15/19.5	10	Steel+Z
18-050DS	120	15/19.5	10	S/S
18-050E	140	16.5/22	10.5	Steel
18-050EZ	140	16.5/22	10.5	Steel+Z
18-050ES	140	16.5/22	10.5	S/S
18-050F	170	17.5/23.5	12	Steel
18-050FZ	170	17.5/23.5	12	Steel+Z
18-200	200	20/27	14	Steel
18-200Z	200	20/27	14	Steel+Z

Dimensions in mm

Code no. 18
WELD-ON BARREL HINGES

Options

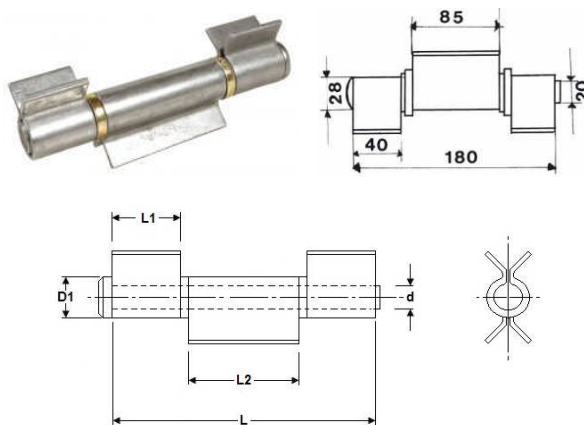
- Hinge Material steel
- Pin & Washer Material please check the individual code
- Grease Nipple no



Code no.18-060

3-part heavy duty hinge with loose pin, closed wings
Max door weight 120kg
Material: mild steel body & pin

Code	Length = L	Length = L2/L1	Cross = D1	Pin dia = d	Note
18-060	180	85/40	28	20	Brass washer
18-060R	180	85/40	28	20	Ball bearing



Code no.18-070

3-part heavy duty hinges with loose pin
Max door weight 120kg
Material: mild steel body & pin

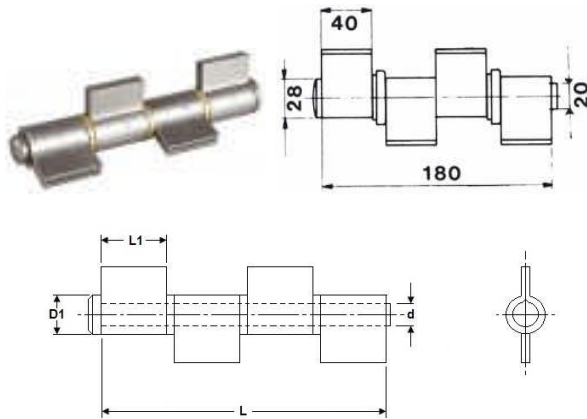
Code	Length = L	Length = L2/L1	Cross = D1	Pin dia = d	Note
18-070	180	85/40	28	20	Brass washer
18-070R	180	85/40	28	20	Ball bearing

Dimensions in mm

Code no. 18
WELD-ON BARREL HINGES

Options

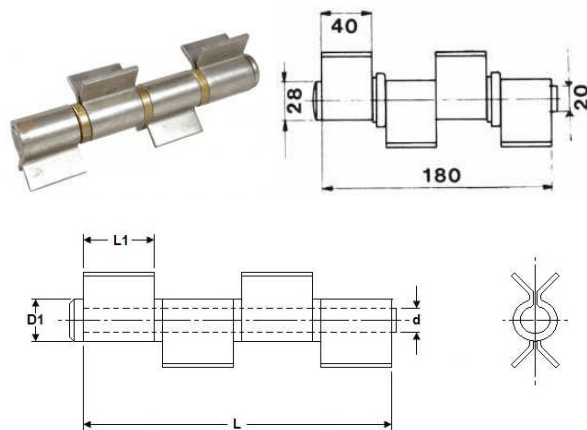
- Hinge Material steel
- Pin & Washer Material please check the individual code
- Grease Nipple no



Code no.18-080

4-part heavy duty hinge with loose pin, closed wings
Max door weight 130kg
Material: mild steel body & pin

Code	Length = L	Length = L1	Cross = D1	Pin dia = d	Note
18-080	180	40	28	20	Brass washer
18-080R	180	40	28	20	Ball bearing



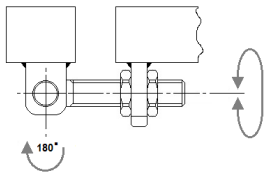
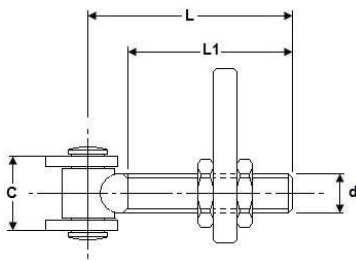
Code no.18-090

4-part heavy duty hinge with loose pin
Max door weight 130kg
Material: mild steel body & pin

Code	Length = L	Length = L1	Cross = D1	Pin dia = d	Note
18-090	180	40	28	20	Brass washer
18-090R	180	40	28	20	Ball bearing

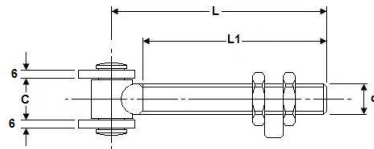
Dimensions in mm

Code no. 21
SWING GATE HINGES



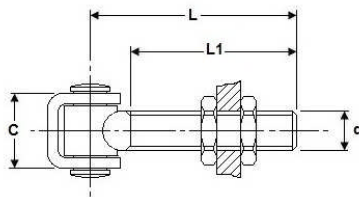
Code no.21-010
ADJUSTABLE HINGE FOR WELDING, TO OPEN 180°
Galvanized steel

Code	Length = L	L1	C	d	NW(g)
21-010A	105	85	27	12	465
21-010B	110	90	30	16	647
21-010C	165	140	40	20	940
21-010D	170	145	48	24	1420



Code no.21-020
ADJUSTABLE HINGE FOR WELDING
Galvanized steel

Code	Length = L	L1	C	d	NW(g)
21-020A	105	85	15	12	250
21-020B	130	100	32	16	367

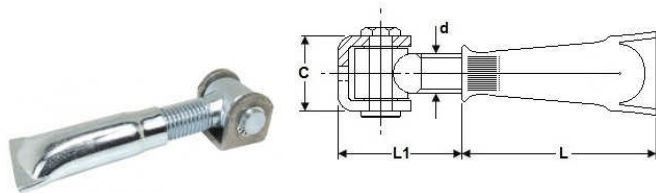


Code no.21-030
ADJUSTABLE HINGE, WITH LONG BOLT
Galvanized steel

Code	Length = L	L1	C	d	NW(g)
21-030A	165	140	40	20	638
21-030B	170	145	48	24	968

Dimensions in mm

Code no. 21
SWING GATE HINGES



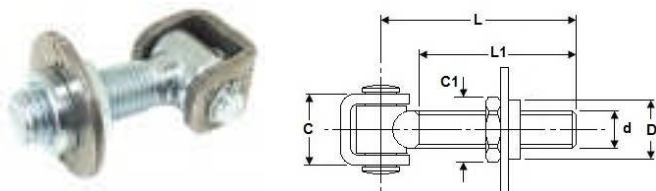
Code no.21-040
ADJUSTABLE HINGE WITH TUBE TO BE CEMENTED
Galvanized steel

Code	Length = L	L1	C	d	NW(g)
21-040A	95	-	-	20	510
21-040B	100	-	-	24	750



Code no.21-050
ADJUSTABLE HINGE
Galvanized steel
*stainless steel = S

Code	Length = L	L1	C	D	d	NW(g)
21-050A	56	40	35	25	18	306
21-050B	75	50	41	25	20	430
21-050BS	75	50	41	25	20	430
21-050C	65	45	41	28	22	550
21-050D	72	50	47	30	24	670
21-050DS	72	50	47	30	24	670



Code no.21-060
ADJUSTABLE HINGE
Galvanized steel

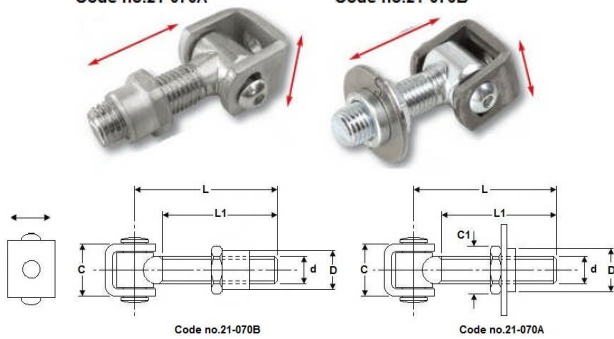
Code	Length = L	L1	C/C1	D	d	NW(g)
21-060A	53	35	43/27	26	16	310
21-060B	56	40	35/30	30	18	385
21-060C	72	52	41/30	30	20	483
21-060D	68	45	41/32	32	22	700
21-060E	72	50	47/36	36	24	750

Dimensions in mm

Code no. 21
SWING GATE HINGES

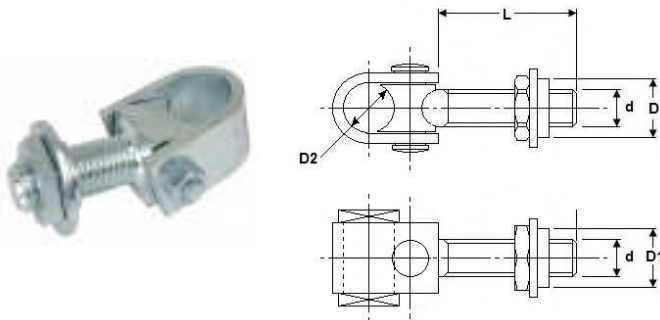
Code no.21-070A

Code no.21-070B



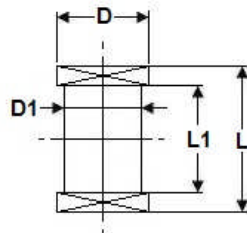
Code no.21-070
ADJUSTABLE HINGE
Galvanized steel

Code	Length = L	L1	C/C1	D	d	NW(g)
21-070A	72	52	41/30	30	20	430
21-070B	72	52	41/30	30	20	483



Code no.21-080
ADJUSTABLE HINGE
Galvanized steel

Code	Length = L	D	D2	d	NW(g)
21-080A	48	48	30	20	525
21-080B	55	55	35	24	755
21-080C	70	70	40	30	1342

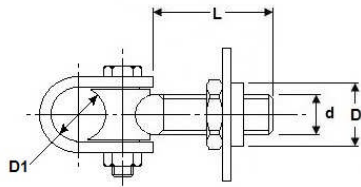


Code no.21-081
LOG FOR HINGE CODE NO.21-080 SERIES
Finish: plain steel

Code	Length = L	D	D1	L1	NW(g)
21-081A	52	35	30	32	365
21-081B	57	40	35	37	533
21-081C	62	50	40	42	800

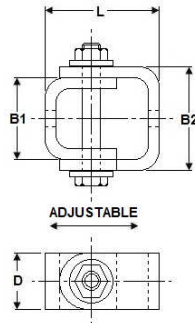
Dimensions in mm

Code no. 21
SWING GATE HINGES



Code no.21-090
ADJUSTABLE HINGE
Galvanized steel

Code	Length = L	D	D1	d	NW(g)
21-090J	48	48	30	20	450
21-090K	55	55	35	24	650



Code no.21-100
ADJUSTABLE HINGE
Galvanized steel

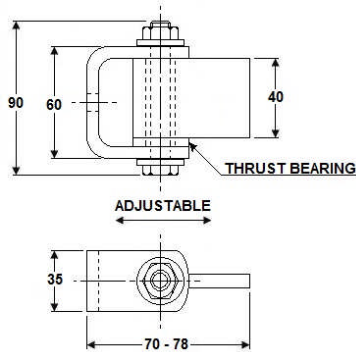
Code	Length = L	B1	B2	D	NW(g)
21-100A	50 / 62	45	60	35	570
21-100B	50 / 62	30	45	30	410

Dimensions in mm

Code no. 21
SWING GATE HINGES



21-102J

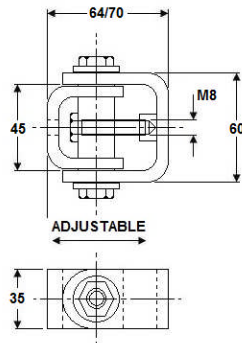


Code no.21-102
ADJUSTABLE HINGE WITH BALL BEARING
Galvanized steel

Code	Length = L	L1	L2	D	d	NW(g)
21-102J	90	60	40	70.78	35	564
21-102K	90	60	40	70.78	35	1000



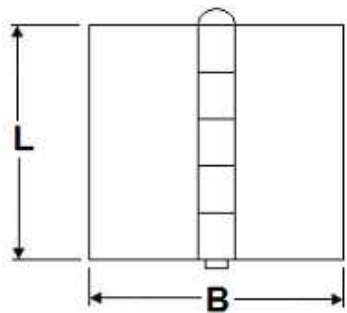
21-102K



Code no.21-103
ADJUSTABLE HINGE FOR GATES
Galvanized steel

Code	Length = L	L1	C	D	D	NW(g)
21-103	60	64/70	45	35	M8	580

Dimensions in mm



Code no. 30 ROLLED BUTT HINGES

With riveted pin
Self colour, no holes

Options

- Hinge Material steel or stainless steel



NARROW HINGES

Code	Length = L	Width = B	Thickness	Material
30-010A	40	26	0.9	Steel
30-010B	50	31	1.2	Steel
30-010C	60	34	1.4	Steel
30-010D	80	41	1.5	Steel
30-010E	100	52	1.6	Steel
30-010F	40	60	1.2	STST
30-010G	50	31	1.0	STST



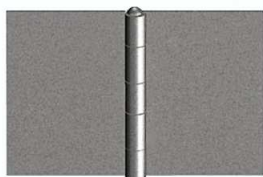
HALF WIDTH HINGES

30-020A	60	46	1.4	steel
30-020B	80	58	1.5	steel
30-020C	60	46	1.2	STST



SHARP EDGE HINGES

30-030A	30	30	0.9	steel
30-030B	40	40	0.9	steel
30-030C	50	50	1.2	steel
30-030D	60	60	1.4	steel
30-030E	100	100	1.6	steel
30-030F	40	40	0.9	STST
30-030G	80	80	1.5	steel



FULL WIDTH HINGES

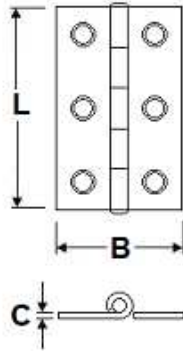
30-040A	30	45	0.9	steel
30-040B	40	60	1.2	steel
30-040C	50	75	1.2	steel
30-040D	60	90	1.4	steel
30-040E	60	90	1.2	STST

Dimensions in mm

Code no. 31
ROLLED BUTT HINGES
 With riveted pin, self colour, with holes

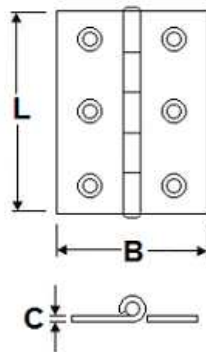
- Options
- Hinge Material mild steel, stainless steel
 - Pin Material mild steel, stainless steel, brass

Rolled butt hinge, with riveted brass pin, galvanized
 Material: mild steel body



Code	Length = L	Width = B	Thickness	No. of Screws	Screw's dia.
31-205A	25	20	0.8	4	2.5
31-205B	30	22	0.9	4	2.5
31-205C	40	26	0.9	4	2.5
31-205D	50	31	1.2	6	3.0
31-205E	60	34	1.4	6	3.0
31-205F	70	38	1.4	6	3.0
31-205G	80	41	1.5	6	3.5
31-205H	90	46	1.5	8	3.5
31-205J	100	52	1.6	8	4.0

Rolled butt hinge, with riveted brass pin, galvanized
 Material: mild steel body



Code	Length = L	Width = B	Thickness	No. of Screws	Screw's dia.
31-209A	25	22	0.8	4	2.5
31-209B	30	26	0.9	4	2.5
31-209C	40	32	0.9	4	2.5
31-209D	50	39	1.2	6	3.0
31-209E	60	46	1.4	6	3.0
31-209F	70	51	1.4	6	3.5
31-209G	80	58	1.5	6	3.5
31-209H	90	63	1.5	6	3.5
31-209J	100	72	1.6	8	4.0

Dimensions in mm

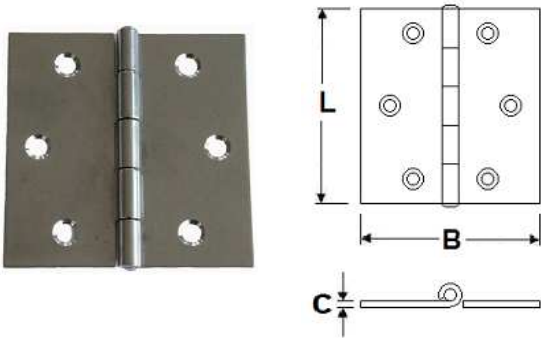


Hinges
Hardware
& Mixers

Code no. 31
ROLLED BUTT HINGES
With riveted pin, self colour, with holes

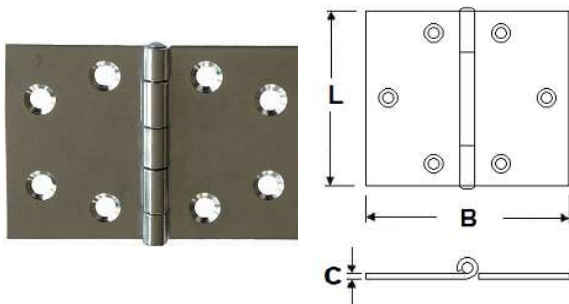
- Options
- Hinge Material mild steel, stainless steel
 - Pin Material mild steel, stainless steel, brass

Rolled butt hinge, with riveted brass pin, galvanized
Material: mild steel body



Code	Length = L	Width = B	Thickness	No. of Screws	Screw's dia.
31-216A	25	25	0.8	4	2.5
31-216B	30	30	0.9	4	2.5
31-216C	40	40	0.9	4	2.5
31-216D	50	50	1.2	6	3.0
31-216E	60	60	1.4	6	3.0
31-216F	70	70	1.4	6	3.5
31-216G	80	80	1.5	6	3.5
31-216H	90	90	1.5	8	4.0
31-216J	100	100	1.6	8	4.0

Rolled butt hinge, with riveted brass pin, galvanized
Material: mild steel body



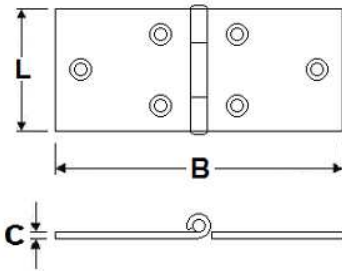
Code	Length = L	Width = B	Thickness	No. of Screws	Screw's dia.
31-223A	25	38	0.8	6	2.5
31-223B	30	45	0.9	6	2.5
31-223C	40	60	1.2	6	3.0
31-223D	50	75	1.2	8	3.5
31-223E	60	90	1.4	8	3.5
31-223F	70	105	1.5	8	4.0
31-223G	80	120	1.8	8	4.0
31-223H	90	133	1.8	8	4.5
31-223J	100	145	2.0	8	4.5

Dimensions in mm

Code no. 31
ROLLED BUTT HINGES
With riveted pin, self colour, with holes

- Options
- Hinge Material mild steel, stainless steel
 - Pin Material mild steel, stainless steel, brass

Rolled butt hinge, with riveted brass pin, galvanized
Material: mild steel body



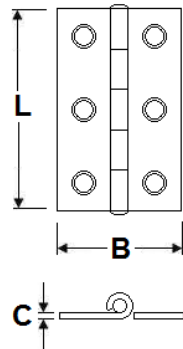
Code	Length = L	Width = B	Thickness	No. of Screws	Screw's dia.
31-237A	23	50	0.9	6	2.5
31-237B	25	60	0.9	6	2.5
31-237C	28	80	1.2	6	3.0
31-237D	32	100	1.3	6	3.0
31-237E	33	120	1.4	8	3.5
31-237F	34	140	1.6	8	3.5
31-237G	37	160	1.7	8	3.5
31-237H	40	180	1.7	8	4.0
31-237J	44	200	2.0	8	4.0
31-237K	44	250	2.0	10	4.5

Dimensions in mm

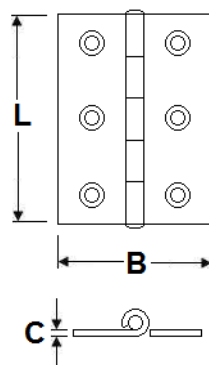
Code no. 31
ROLLED BUTT HINGES
 With riveted pin, self colour, with holes

- Options
- Hinge Material mild steel, stainless steel
 - Pin Material mild steel, stainless steel, brass

Rolled butt hinge, with riveted brass pin
 Material: mild steel body



Code	Length = L	Width = B	Thickness	No. of Screws	Screw's dia.
31-242A	25	20	0.8	4	2.5
31-242B	30	22	0.8	4	2.5
31-242C	40	26	0.9	4	2.5
31-242D	50	31	1.2	6	3.0
31-242E	60	34	1.4	6	3.0



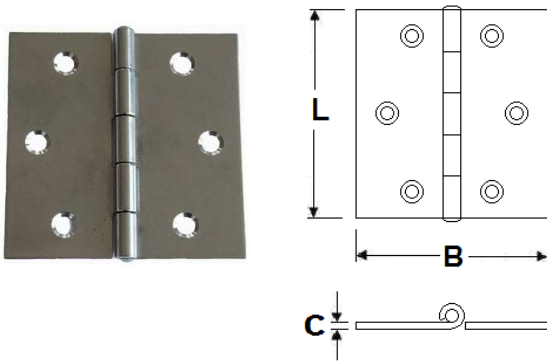
Rolled butt hinge, with riveted brass pin
 Material: mild steel body

Code	Length = L	Width = B	Thickness	No. of Screws	Screw's dia.
31-244C	40	32	0.9	4	2.5
31-244D	50	39	1.2	6	3.0
31-244E	60	46	1.4	6	3.0
31-244F	70	51	1.4	6	3.5

Dimensions in mm

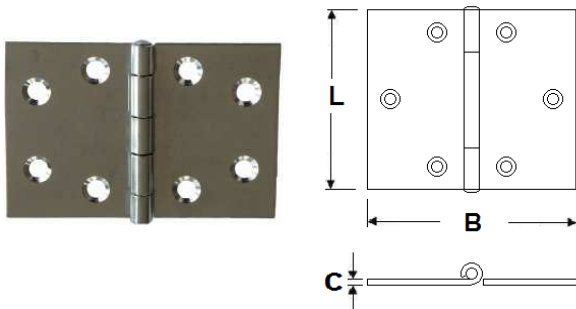
Code no. 31
ROLLED BUTT HINGES
With riveted pin, self colour, with holes

- Options
- Hinge Material mild steel, stainless steel
 - Pin Material mild steel, stainless steel, brass



Rolled butt hinge, with riveted brass pin
Material: mild steel body

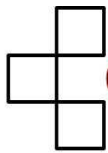
Code	Length = L	Width = B	Thickness	No. of Screws	Screw's dia.
31-246B	30	30	0.8	4	2.5
31-246C	40	40	1.0	4	2.5
31-246D	50	50	1.2	6	3.0
31-246E	60	60	1.4	6	3.0
31-246G	80	80	1.5	6	3.5



Rolled butt hinge, with riveted brass pin, galvanized
Material: mild steel body

Code	Length = L	Width = B	Thickness	No. of Screws	Screw's dia.
31-248C	40	60	1.2	6	3.0
31-248E	60	90	1.4	8	3.5

Dimensions in mm



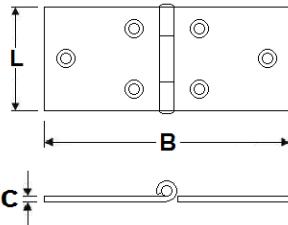
CALMORE

Hinges
Hardware
& Mixers

Code no. 31
ROLLED BUTT HINGES
With riveted pin, self colour, with holes

Options

- Hinge Material mild steel, stainless steel
- Pin Material mild steel, stainless steel, brass



Rolled butt hinge, with riveted brass pin, galvanized
Material: mild steel body

Code	Length = L	Width = B	Thickness	No. of Screws	Screw's dia.
31-250D	32	100	1.3	6	3.0



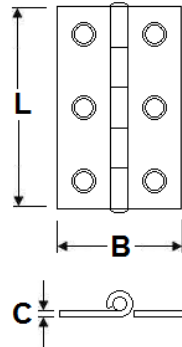
Dimensions in mm

Code no. 31
ROLLED BUTT HINGES
With riveted pin, self colour, with holes

Options

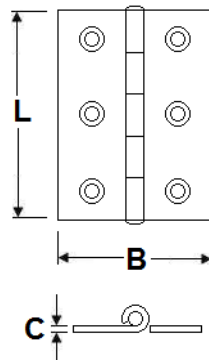
- Hinge Material mild steel, stainless steel
- Pin Material mild steel, stainless steel, brass

Rolled butt hinge, with riveted stainless steel pin
Material: stainless steel body



Code	Length = L	Width = B	Thickness	No. of Screws	Screw's dia.
31-251B	30	22	0.8	4	2.5
31-251C	40	26	0.9	4	2.5
31-251D	50	31	1.0	6	3.0
31-251E	60	34	1.2	6	3.0
31-251G	80	41	1.5	6	3.5
31-251J	100	52	1.5	8	4.0

Rolled butt hinge, with riveted stainless steel pin
Material: stainless steel body



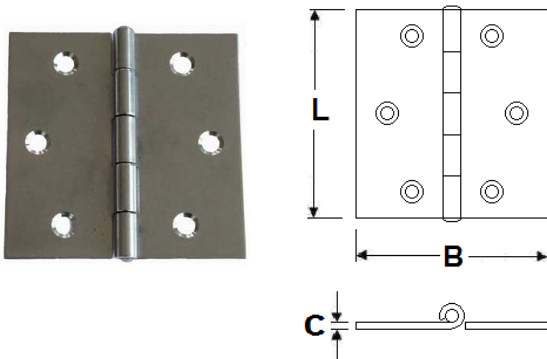
Code	Length = L	Width = B	Thickness	No. of Screws	Screw's dia.
31-253C	40	32	0.9	4	2.5
31-253D	50	39	1.0	6	3.0
31-253E	60	46	1.2	6	3.0
31-253G	80	58	1.5	6	3.5
31-253J	100	72	1.5	8	4.5

Dimensions in mm

Code no. 31 ROLLED BUTT HINGES With riveted pin, self colour, with holes

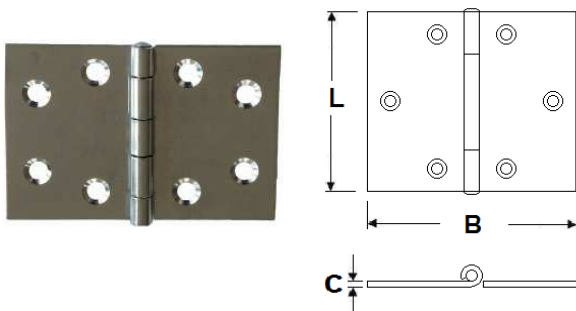
- Options
- Hinge Material mild steel, stainless steel
 - Pin Material mild steel, stainless steel, brass

Rolled butt hinge, with riveted stainless steel pin
Material: stainless steel body



Code	Length = L	Width = B	Thickness	No. of Screws	Screw's dia.
31-255B	30	30	0.8	4	2.5
31-255C	40	40	0.9	4	2.5
31-255D	50	50	1.0	6	3.0
31-255E	60	60	1.25	6	3.0
31-255F	70	70	1.25	6	3.5
31-255G	80	80	1.5	6	3.5
31-255J	100	100	1.5	8	4.0

Rolled butt hinge, with riveted stainless steel pin
Material: stainless steel body

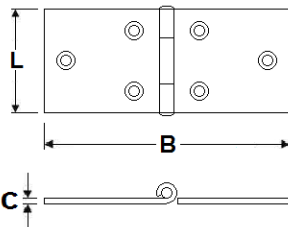


Code	Length = L	Width = B	Thickness	No. of Screws	Screw's dia.
31-256B	30	45	1.0	6	3.0
31-256C	40	60	0.9	6	3.0
31-256D	50	75	1.2	8	3.5
31-256E	60	90	1.2	8	3.5
31-256G	80	120	1.5	8	4.0

Dimensions in mm

Code no. 31
ROLLED BUTT HINGES
With riveted pin, self colour, with holes

- Options
- Hinge Material mild steel, stainless steel
 - Pin Material mild steel, stainless steel, brass



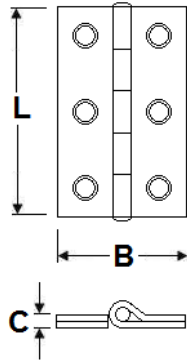
Rolled butt hinge, with riveted stainless steel pin
Material: stainless steel body

Code	Length = L	Width = B	Thickness	No. of Screws	Screw's dia.
31-257C	28	80	1.0	6	3.0
31-257D	32	100	1.2	6	3.0
31-257E	33	120	1.2	8	3.5
31-257F	34	140	1.5	8	3.5
31-257G	37	160	1.5	8	3.5

Dimensions in mm

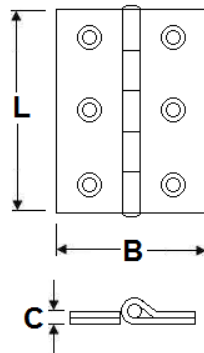
Code no. 31
ROLLED BUTT HINGES
With riveted pin, self colour, with holes

- Options
- Hinge Material mild steel, stainless steel
 - Pin Material mild steel, stainless steel, brass



Roller butt hinge, with riveted steel pin, galvanized
Material: mild steel body

Code	Length = L	Width = B	Thickness	No. of Screws	Screw's dia.
31-259C	40	26	1.2	4	2.5
31-259E	60	34	1.8	6	3.5
31-259G	80	41	1.8	6	3.5



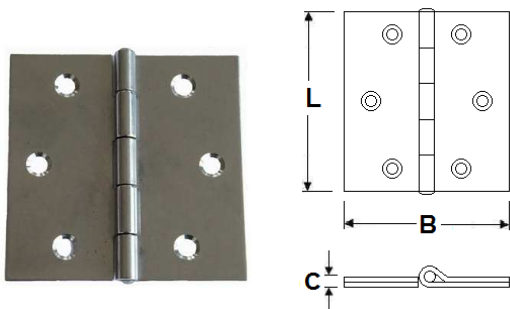
Roller butt hinge, with riveted steel pin, galvanized
Material: mild steel body

Code	Length = L	Width = B	Thickness	No. of Screws	Screw's dia.
31-263F	70	51	1.8	6	3.5
31-263G	80	58	1.8	6	3.5
31-263J	100	72	2.0	8	4.0

Dimensions in mm

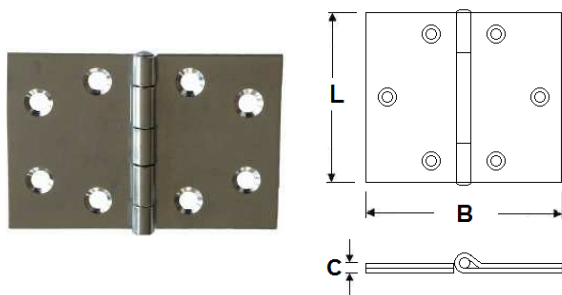
Code no. 31
ROLLED BUTT HINGES
With riveted pin, self colour, with holes

- Options
- Hinge Material mild steel, stainless steel
 - Pin Material mild steel, stainless steel, brass



Rolled butt hinge, with brass pin, galvanized
Material: mild steel body

Code	Length = L	Width = B	Thickness	No. of Screws	Screw's dia.
31-274C	40	40	1.5	4	2.5
31-274D	50	50	1.5	6	3.0
31-274E	60	60	1.8	6	3.5
31-274G	80	80	2.0	6	3.5
31-274J	100	100	2.3	8	4.0



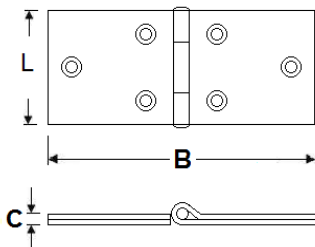
Rolled butt hinge, with riveted brass pin, galvanized
Material: mild steel body

Code	Length = L	Width = B	Thickness	No. of Screws	Screw's dia.
31-281D	50	75	2.0	8	3.5
31-281E	60	90	2.0	8	4.0
31-281G	80	120	2.4	8	4.0
31-281J	100	150	3.0	8	5.0

Dimensions in mm

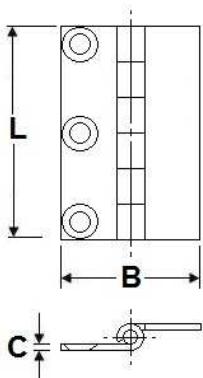
Code no. 31
ROLLED BUTT HINGES
With riveted pin, self colour, with holes

- Options
- Hinge Material mild steel, stainless steel
 - Pin Material mild steel, stainless steel, brass



Rolled butt hinge, with riveted steel pin, galvanized
Material: mild steel body

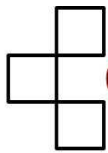
Code	Length = L	Width = B	Thickness	No. of Screws	Screw's dia.
31-297B	25	60	1.3	6	3.0
31-297D	32	100	1.6	6	3.5
31-297E	33	120	1.8	6	3.5
31-297H	40	180	2.4	8	4.0



Code no.31-080M
Rolled butt hinge, material: mild steel, finish: self colour
Joint length: 10 mm x 7 joints (knuckles)
The pin is flush with the edge of hinge, pin \varnothing 3.2 mm

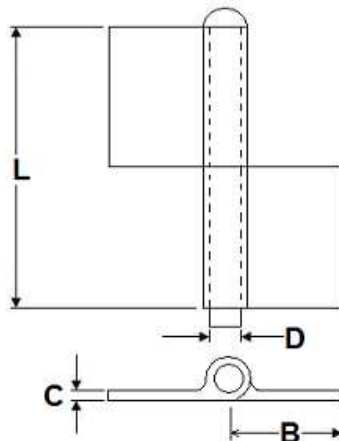
Code	Length = L	Width = B	Thickness	No. of Screws	Screw's dia.
31-080M	70	37	2	3	5.4/ M5

Dimensions in mm



CALMORE

Hinges
Hardware
& Mixers



Code no. 32-000

SOLID PROFILE FLAG HINGES

2 part solid profile hinges, with loose pin and brass washer

Self colour, no holes

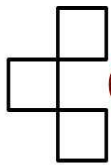
Hinges are handed

Options

- Hinge Material steel
- Pin Material steel or brass
- Cir Clip optional
- Grease Nipple optional

Code	Length = L	Width = B	Thickness = C	Pin dia = D	Pin Material
32-000A	080	35	5	10	Steel
32-000AB	080	35	5	10	Brass
32-000B	100	35	5	10	Steel
32-000BB	100	35	5	10	Brass

Dimensions in mm

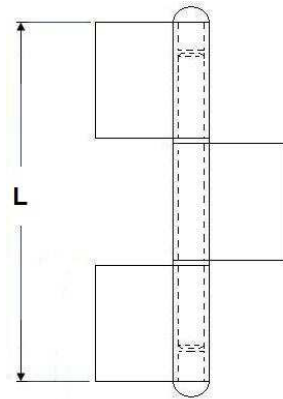


CALMORE

Hinges
Hardware
& Mixers



LEFT HAND



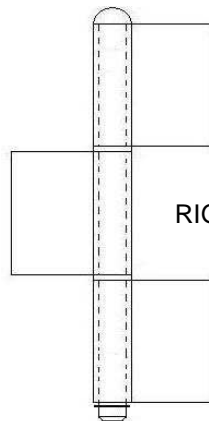
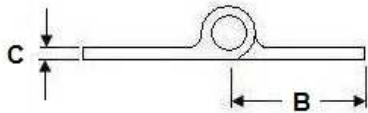
3 PART HINGE WITH
FLOATING PIN

Code no. 32-050 SOLID PROFILE FLAG HINGES

Loose pin, 3 part solid profile hinges
with brass washers
Self colour, no holes
Hinges are handed

Options

- Hinge Material steel
- Pin Material steel or brass
- Cir clip optional
- Grease Nipple optional



RIGHT HAND

3 PART HINGE WITH
LOOSE PIN AND CIR CLIP

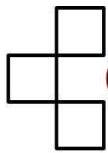
Floating pin

Code	Length = L	Width = B	Thickness = C	Pin dia = D	Pin Material
32-050S	155	35	5	10	Steel
32-050B	155	35	5	10	Brass
32-050T	155	35	5	10	Stainless Steel

Loose pin

32-050J	155	35	5	10	Steel
32-050K	155	35	5	10	Brass
32-050L	155	35	5	10	Stainless Steel

Dimensions in mm



CALMORE

Hinges
Hardware
& Mixers



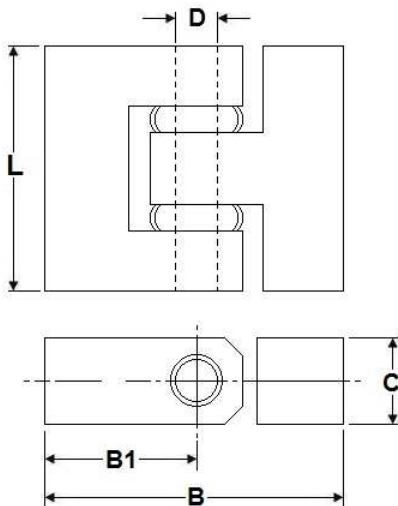
Code no. 34-000

SOLID PROFILE BUTT HINGES

Heavy duty precision hinges in steel
Fixed Steel pins fitted with self lubricating bearings
Self colour

Options

- Hinge Material steel suitable for welding
- Angle of rotation 200 °



Code	Length = L	Width = B	Width = B1	Thickness = C	Pin Dia = D
34-000A	50	60	20	20	10
34-000B	60	70	40	25	12
34-000C	60	80	30	30	15
34-000D	80	100	60	40	20
34-000E	100	120	30	50	25
34-000F	120	140	60	60	30

Dimensions mm

www.calmorehinges.co.uk



Hinges
Hardware
& Mixers



Code no. 34-010
SOLID PROFILE BUTT HINGES

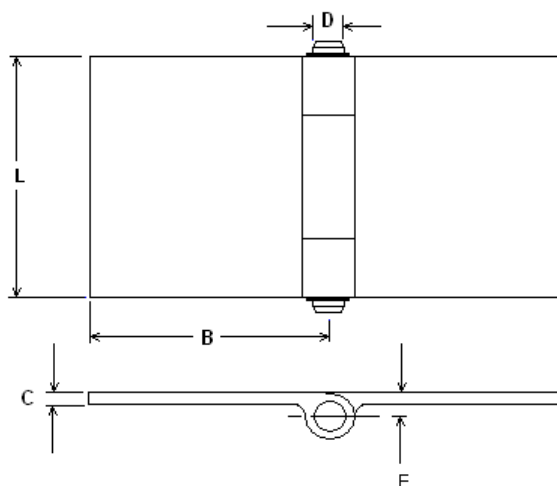
Heavy duty hinge in mild steel
Loose pin fitted with Cir Clips
Self colour

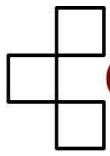
Options

- Hinge Material steel
- Pin material steel, brass, stainless steel
- Grease Nipple with or without

Code	Length = L	Width = B	Thickness = C	Pin Dia = D	Pin Position = E
34-010A	40	20	3	4	4
34-010B	40	40	3	4	4
34-010C	60	30	5	6	6
34-010D	60	60	5	6	6
34-010E	60	30	5	6	9
34-010F	60	60	5	6	9
34-010G	60	30	5	6	13
34-010H	60	60	5	6	13
34-010J	80	40	7	8	8
34-010K	80	80	7	8	8
34-010L	80	40	7	8	18
34-010M	80	80	7	8	18
34-010N	100	110	10	13	13

Dimensions mm





CALMORE

Hinges
Hardware
& Mixers

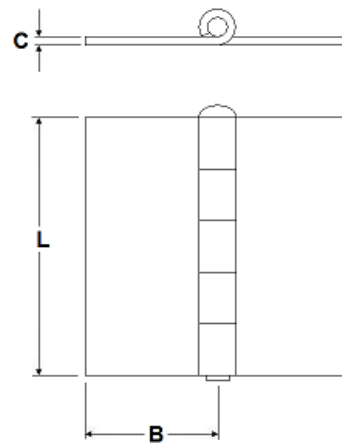
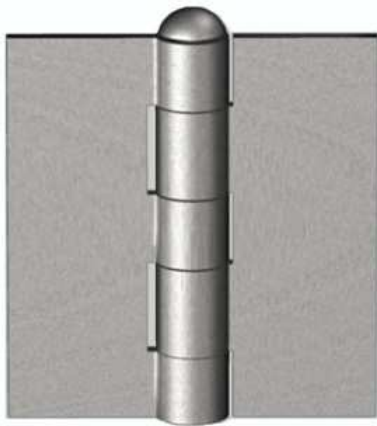
Code no. 34-040

HEAVY DUTY ROLLED BUTT HINGES

Heavy duty, in mild steel material

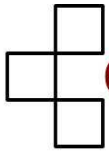
Round head pin

Self colour



Code	Length = L	Width = B	Thickness = C	Pin dia = d	Knuckles
34-040A	60	27.5	3	6	5
34-040B	75	30	3	6.5	5
34-040C	90	32.5	3	7	5
34-040D	95	32.5	3	7	5
34-040E	100	37.5	3	8	5
34-040G	80	40	3	7	5

Dimensions in mm



CALMORE

Hinges
Hardware
& Mixers



34-040J

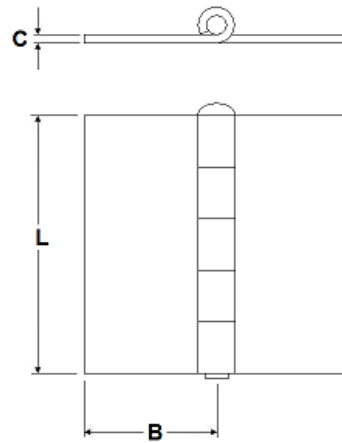
Code no. 34-040

HEAVY DUTY ROLLED BUTT HINGES

Heavy duty, in mild steel material

Flush riveted pin

Self colour



WITH FIXED FLUSH PIN OR RIVETED PIN

Code	Length = L	Width = B	Thickness = C	Pin dia = d	Knuckles
34-040J	102	51	4.5	10	5
34-040K	102	51	4.5	12	3
34-040L	152	76	4.7	10	7
34-040M	127	63.5	4.7	12.7	3

WITH PHOSPHOR BRONZE RIVETED PIN

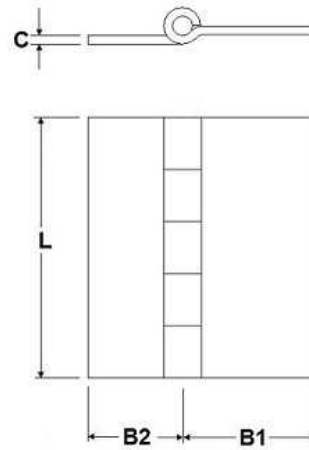
Code	Length = L	Width = B	Thickness = C	Pin dia = d	Knuckles
34-040P	63.5	150	3	5.5	3
34-040Q	76	152	3	5.5	5
34-040R	102	254	3	6.3	5

Dimensions in mm



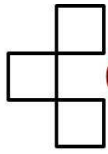
Hinges
Hardware
& Mixers

Code no. 34-041
HEAVY DUTY ROLLED BUTT HINGES
Unequal butt hinge
Heavy duty, in mild steel material
Flush riveted pin



Code	Length = L	Width = B1	Width = B2	Thickness = C	Pin dia = d	Knuckles
34-041A	60	31.5	23.5	3.5	7	5
34-041B	75	31.5	23.5	3.5	7	5
34-041C	90	31.5	23.5	3.5	7	5

Dimensions in mm



CALMORE

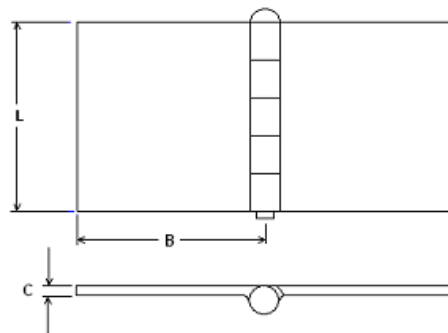
Hinges
Hardware
& Mixers

Code no. 34-300

SOLID PROFILE BUTT HINGES

Heavy duty, mild steel

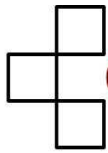
Round head pin, self colour finish



Code	Length = L	Width = B	Thickness = C	Pin dia = d	Knuckles
34-301	30	40	3	4	5
34-302	30	60	3	4	5
34-303	40	20	3	4	5
34-304	40	40	3	4	5
34-305	40	60	3	4	5
34-306	50	40	3	4	5
34-307	50	60	3	4	5
34-308	60	40	3	4	5
34-309	60	60	3	4	5
34-310	30	30	5	6	5
34-311	30	60	5	6	5
34-312	30	80	5	6	5
34-313	30	100	5	6	5
34-314	40	30	5	6	5
34-315	40	60	5	6	5
34-316	40	80	5	6	5
34-317	40	100	5	6	5
34-318	40	120	5	6	5
34-319	45	30	5	6	5
34-320	45	60	5	6	5
34-321	45	80	5	6	5
34-322	45	100	5	6	5
34-323	45	120	5	6	5
34-324	50	30	5	6	5
34-325	50	60	5	6	5
34-326	50	80	5	6	5

Code	Length = L	Width = B	Thickness = C	Pin dia = d	Knuckles
34-327	50	100	5	6	5
34-328	50	120	5	6	5
34-329	60	30	5	6	5
34-330	60	60	5	6	5
34-331	60	80	5	6	5
34-332	60	100	5	6	5
34-333	60	120	5	6	5
34-334	80	30	5	6	7
34-335	80	60	5	6	7
34-336	80	80	5	6	7
34-337	100	30	5	6	7
34-338	100	60	5	6	7
34-339	100	80	5	6	7
34-340	40	80	6	8	5
34-341	45	80	6	8	5
34-342	45	100	6	8	5
34-343	45	120	6	8	5
34-344	50	80	6	8	5
34-345	50	100	6	8	5
34-346	50	120	6	8	5
34-347	60	80	6	8	5
34-348	60	100	6	8	5
34-349	60	120	6	8	5
34-350	60	150	6	8	5
34-351	70	80	6	8	7
34-352	70	100	6	8	7
34-353	70	120	6	8	7
34-354	70	150	6	8	7
34-355	80	80	6	8	7
34-356	80	100	6	8	7
34-357	80	120	6	8	7
34-358	80	150	6	8	7
34-359	100	80	6	8	7
34-360	100	100	6	8	7
34-361	100	120	6	8	7
34-36X	100	150	6	8	7
34-362	60	40	7	8	5
34-363	60	80	7	8	5
34-364	60	100	7	8	5
34-365	60	120	7	8	5
34-366	60	150	7	8	5
34-367	70	80	7	8	7
34-368	70	100	7	8	7
34-369	70	120	7	8	7
34-370	70	150	7	8	7
34-371	80	40	7	8	7
34-372	80	80	7	8	7
34-373	80	100	7	8	7
34-374	80	120	7	8	7
34-375	80	150	7	8	7
34-376	100	80	7	8	7
34-377	100	100	7	8	7
34-378	100	120	7	8	7
34-379	100	150	7	8	7
34-380	100	110	10	13	5

Dimensions in mm



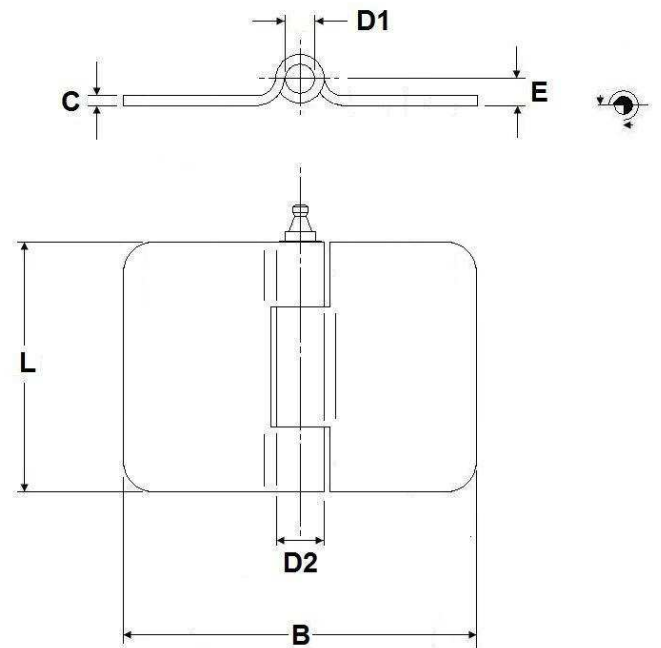
CALMORE

Hinges
Hardware
& Mixers

Code no. 36-000 HEAVY DUTY ROLLED HINGES with knuckle edge concealed

Options

- Hinge Material steel or stainless steel (ST/ST)
- Pin Material steel or stainless steel



Code	Length = L	Thickness = C	Open width = B	Pin Position = E	Pin dia = D1	Knuckle dia = D2	Hinge Material	Pin Material
36-000A	65	4	100	8.5	8	16	Steel zinc galvanized	Steel
36-000AS	65	3	100	6.5	6	12	ST/ST	ST/ST

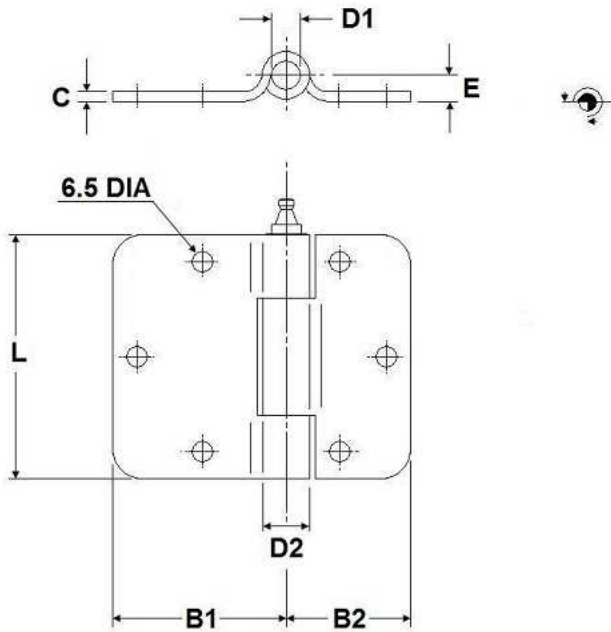
Dimensions in mm

www.calmorehinges.co.uk

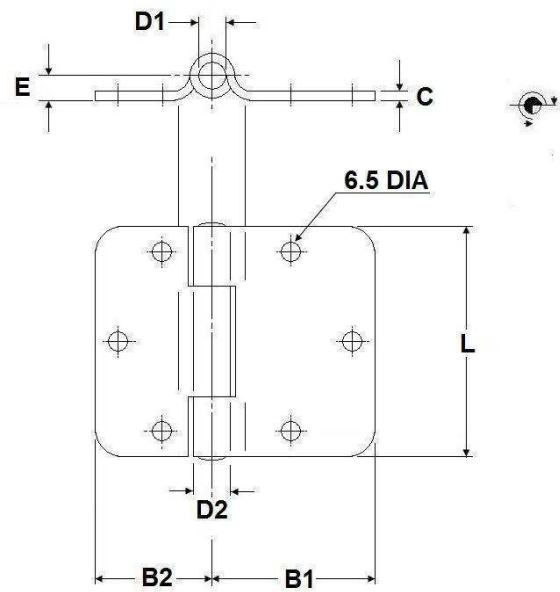
Code no. 36-010
HEAVY DUTY ROLLED HINGES
Unequal butt hinge with holes
with knuckle edge concealed

Options

- Hinge Material steel or stainless steel (ST/ST)
- Pin Material steel or stainless steel



36-010A



36-010AS

Code	Length = L	Thickness = C	Width = B1	Width = B2	Pin Position = E	Pin dia = D1	Knuckle dia = D2	Hinge Material	Pin Material
36-010A	65	4	46	36	8.5	8	16	Steel zinc galvanized	Steel
36-010AS	65	3	46	36	6.5	6	12	ST/ST	ST/ST

Dimensions in mm



CALMORE

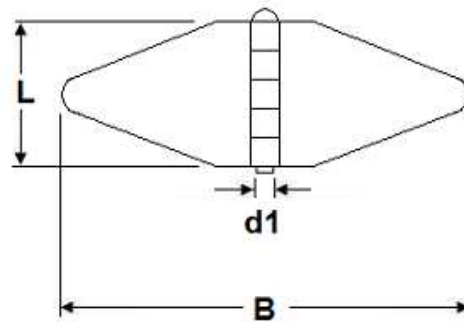
Hinges
Hardware
& Mixers



Code no. 37-000
HEAVY DUTY BUTT HINGES
solid steel profile hinge, self colour

Options

- Hinge Material steel, self colour
- Pin Material steel, brass



Code	Length = L	Width = B	Thickness = C	Pin dia = d1	Pin Material
37-000A	50	140	5	6	Steel
37-000AS	50	140	6	8	Steel
37-000B	50	140	5	6	Brass
37-000BS	50	140	6	8	Brass

Dimensions in mm

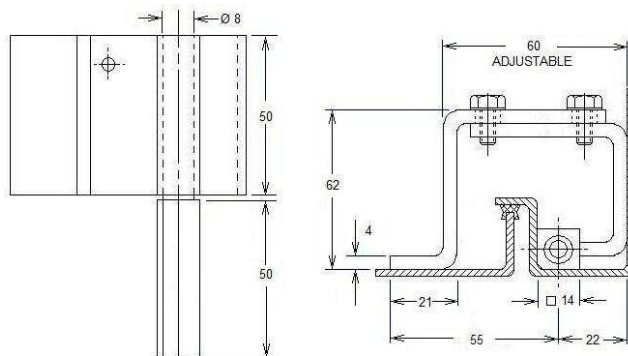


Hinges
Hardware
& Mixers

Code no. 38-000
CONCEALED HINGES
Steel, left and right handed

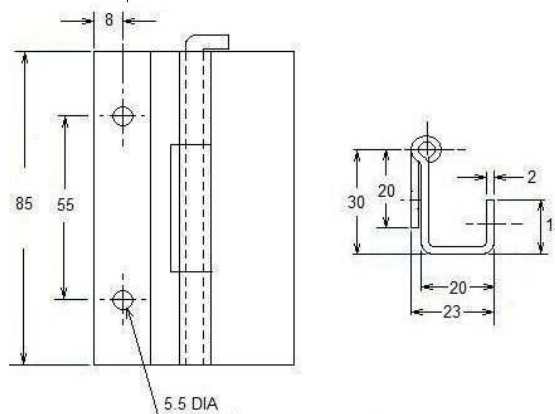
Code no. 38-000A

Adjustable concealed hinge
Finish:
Upper part galvanised
Lower partself colour



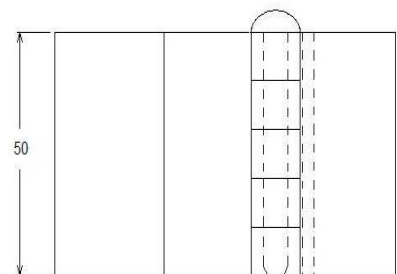
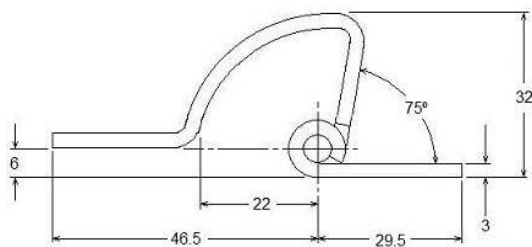
Code no. 38-000B

Concealed hinge with removable pin
Finish: Self colour



Code no. 38-000C

Finish: Self colour



Dimensions in mm

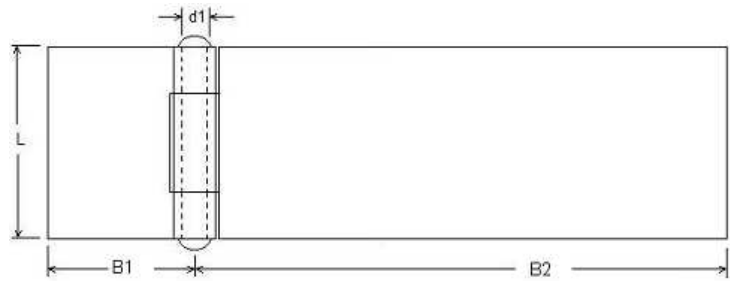
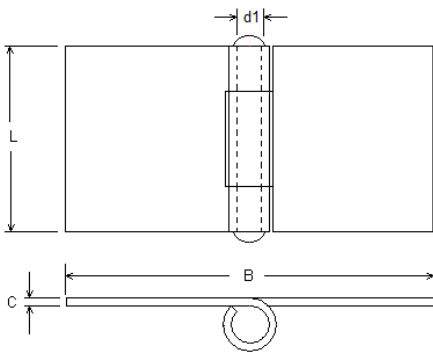


Hinges
Hardware
& Mixers

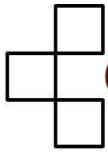


Code no. 39
HEAVY DUTY ROLLED BUTT HINGES
Riveted on both sides

- Options
- Hinge Material steel, stainless steel (ST/ST)
 - Pin Material steel, stainless steel

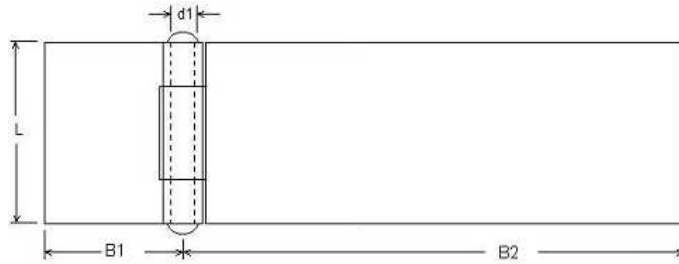


Code	Length = L	Width = B	Thickness = C	Pin dia = d1	Material	Knuckles
39-040A	40	60	3	6	ST/ST	3
39-040B	40	80	3	6	ST/ST	3
39-040C	40	100	3	6	ST/ST	3
39-040D	40	120	3	6	ST/ST	3
39-040E	40	140	3	6	ST/ST	3
39-040F	60	60	3	6	ST/ST	3
39-040G	80	80	3	6	ST/ST	5
39-040H	100	100	3	6	ST/ST	5
39-040S	25	80	2	6	ST/ST	3
39-040T	30	80	2	6	ST/ST	3
39-040U	40	60	2	6	ST/ST	3
39-040V	60	60	2	6	ST/ST	5
39-040W	60	80	2	6	ST/ST	5
39-040X	80	80	2	6	ST/ST	5
39-050A	50	50	3	6	Steel	5
39-050B	50	100	3	6	Steel	5
39-050C	50	50	5	10	Steel	3
39-050D	50	100	5	10	Steel	3
39-050E	25	60	3	6	Steel	3
39-050G	50	180	4	10	Steel	3

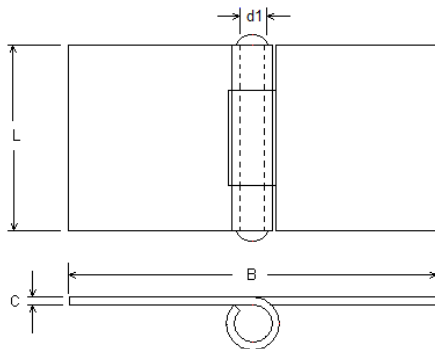


CALMORE

Hinges
Hardware
& Mixers

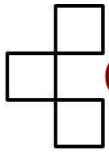


Code	Length = L	Width = B1/B2	Thickness = C	Pin dia = d1	Material	Knuckles
39-060A	30	25/100	3	6	Steel	3
39-060B	40	40/160	4	6	Steel	3



Code	Length = L	Width = B	Thickness = C	Pin dia = d1	Material	Knuckles
39-070A	30	100	3	6	ST/ST 316	3
39-070B	30	200	3	6	ST/ST 316	3
39-070C	150	180	4	10	ST/ST 316	5

Dimensions in mm



CALMORE

Hinges
Hardware
& Mixers

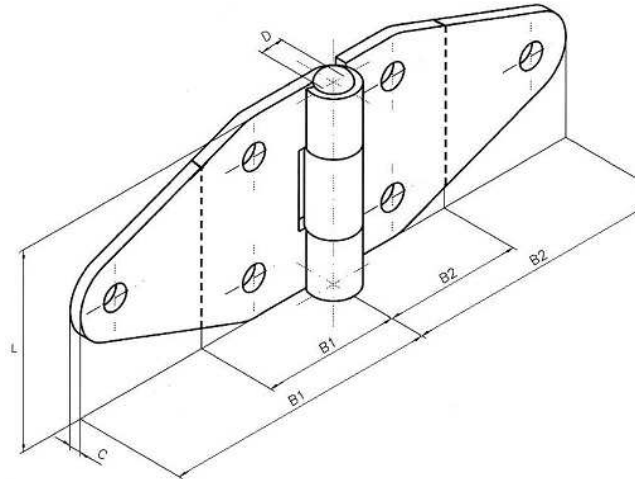
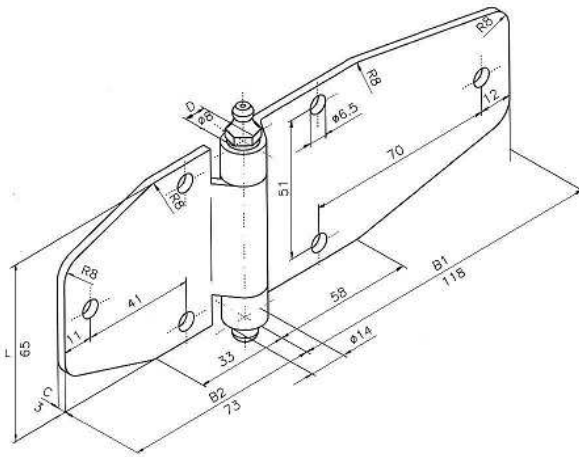


Code no. 40-000

HEAVY DUTY ROLLED AND PRESSED HINGES

Options

- Hinge Material galvanized steel, stainless steel
- Pin Material stainless steel



40-000B



40-000D



40-000E

Code	Length = L	Width = B1/B2	Material thickness = C	Pin dia = D	Hinge Material	Hole No.	Hole dia	Pin Material
40-000A	65	118/73	3	8	Steel	6	6.5	Steel
40-000AS	65	118/73	3	8	ST/ST	6	6.5	ST/ST
40-000B	50	35/35	3	6	ST/ST	4	6.5	ST/ST
40-000C	50	70/35	3	6	ST/ST	5	6.5	ST/ST
40-000D	50	35/70	3	6	ST/ST	5	6.5	ST/ST
40-000E	50	70/70	3	6	ST/ST	6	6.5	ST/ST

Dimensions in mm



55-070A

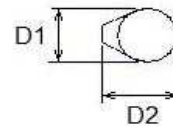
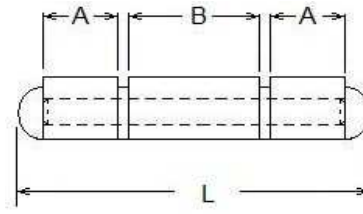


55-140B

Code no. 55
WELD-ON BARREL HINGES
Compact hinge in mild steel
with loose floating stainless steel pin

Options

- Hinge parts 2 or 3 parts
- Material steel, stainless steel
- Grease Nipple with or without



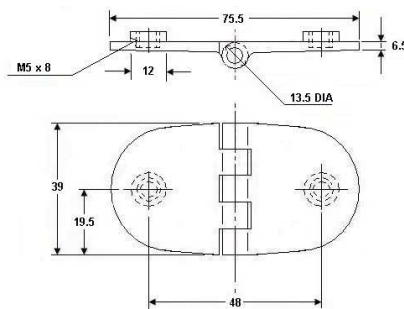
Code	Length = L	Cross Section = D1/D2	Outer Part = A	Inner Part = B	Pin dia = d	Grease Nipple	Weight /100sets (kg)
55-060A	60	18/22			12	No	14
55-060B	60	18/22			12	Yes	14
55-070A	70	20/25			13	No	20
55-070B	70	20/25			13	Yes	20
55-100A	100	23/29			16	No	28
55-100B	100	23/29			16	Yes	28
55-120A	120	18/22	35	46	12	No	35
55-120B	120	20/22	35	46	12	Yes	35
55-140A	140	20/25	40.5	53	13	No	36
55-140B	140	20/25	40.5	53	13	Yes	36
55-200A	200	23/29	52.5	89	16	No	71
55-200B	200	23/29	52.5	89	16	Yes	71

Dimensions in mm



Hinges
Hardware
& Mixers

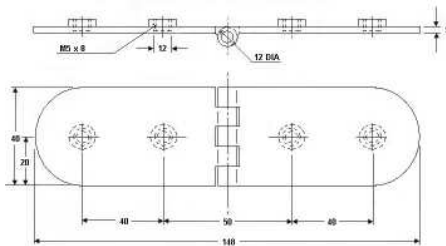
Code no. 56
ALUMINIUM BUTT, LIFT-OFF AND 3-PART HINGES



Code No. 56A

Cast Aluminium deck hinge with concealed and recessed bush fittings
2 x M6

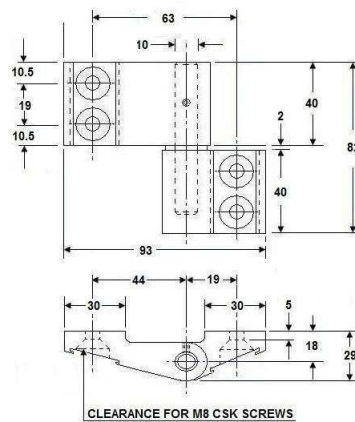
- Finish:
Anodized with Steel Pin **Code No. 56AA**
Drum Tumbled with ST/ST Pin **Code No. 56AB**
Drum Tumbled with Steel Pin **Code No. 56AC**



Code No. 56B

Cast Aluminium deck hinge with concealed and recessed bush fittings
4 x M6

- Finish:
Anodized with Steel Pin **Code No. 56BA**
Drum Tumbled with ST/ST Pin **Code No. 56BB**
Drum Tumbled With Steel Pin **Code No. 56BC**



Code No. 56C

ALUMINIUM LIFT-OFF FLAG HINGE
With recessed CSK holes and sliding cover caps
4 x M8

Left/Right handed. Right hand shown
Finish: anodized

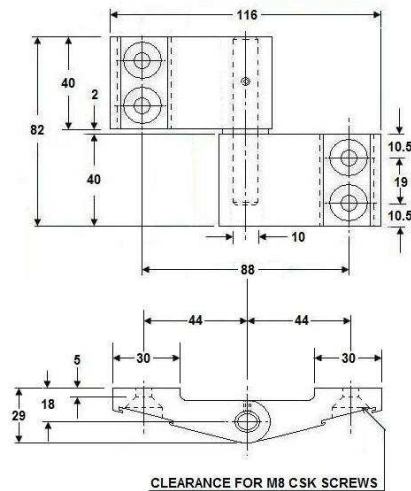
Dimensions in mm



CALMORE

Hinges
Hardware
& Mixers

Code no. 56
ALUMINIUM BUTT, LIFT-OFF AND 3-PART HINGES

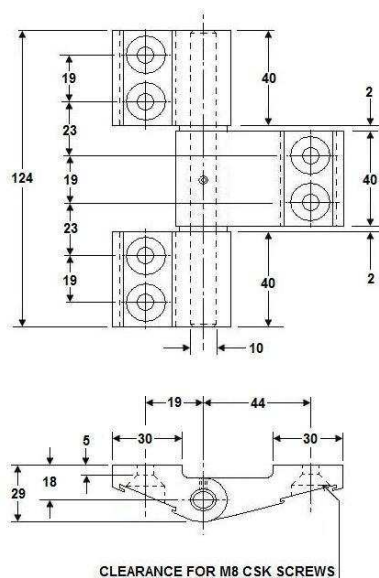


Code No.56D

ALUMINIUM LIFT-OFF FLAG HINGE
With recessed CSK holes and sliding cover caps
4 x M8

Left/Right handed. Right hand shown

Finish: anodized



Code No.56E

3-PART ALUMINIUM FLAG HINGE
With recessed CSK holes and sliding cover caps
4 x M8

Left/Right handed. Left hand shown

Finish: anodized

Dimensions in mm



CALMORE

Hinges
Hardware
& Mixers

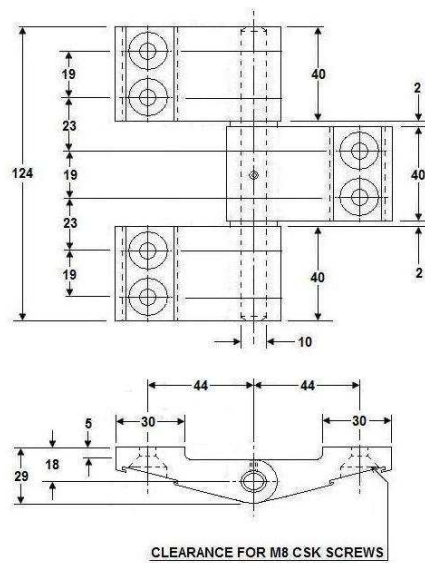
Code no. 56
ALUMINIUM BUTT, LIFT-OFF AND 3-PART HINGES

Code No.56F

3 PART ALUMINIUM FLAG HINGE
With recessed CSK holes and sliding cover caps
4 x M8

Left/Right handed. Left hand shown

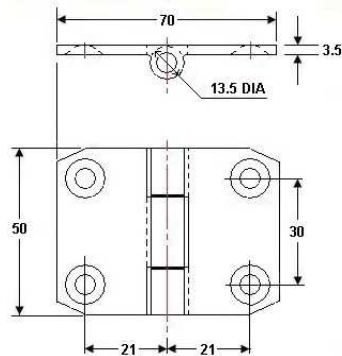
Finish: anodized



Dimensions in mm

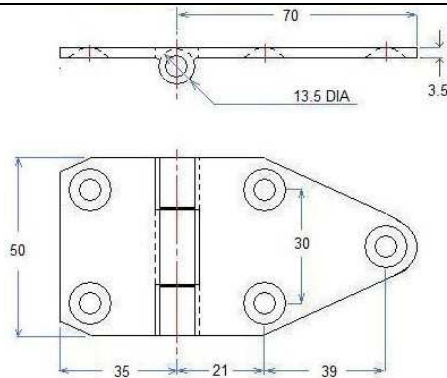
Code no. 57-000
SOLID GALVANISED BUTT HINGES

- Maintenance Free Du-Bushing Heat and Cold Resistant
- With or Without Holes



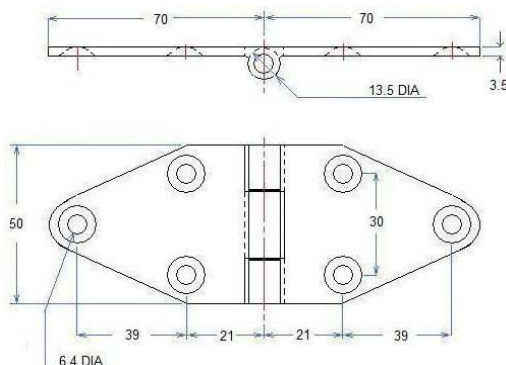
Without holes: **Code no. 57-000A**
With holes: **Code no. 57-000AA**

Material: Steel
Finish: Zinc Galvanised



Without holes: **Code no. 57-000B**
With holes: **Code no. 57-000BB**

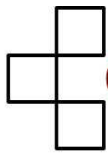
Material: Steel
Finish: Zinc Galvanised



Without holes: **Code no. 57-000C**
With holes: **Code no. 57-000CC**

Material: Steel
Finish: Zinc Galvanised

Dimensions in mm

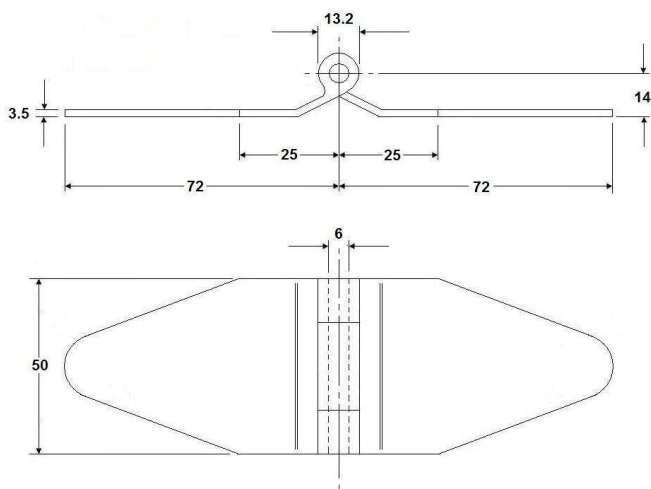


CALMORE

Hinges
Hardware
& Mixers

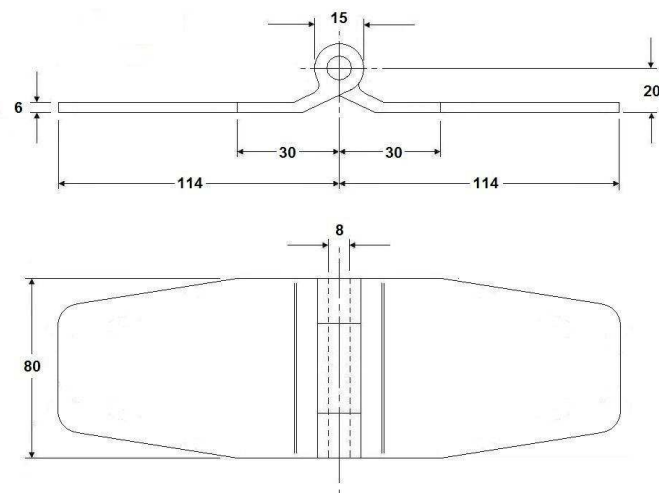
Code no. 57-000
SOLID PROFILE GALVANISED BUTT HINGES

- Maintenance Free Du-Bushing Heat and Cold Resistant
- Without Holes



Without holes: **Code no. 57-000D**

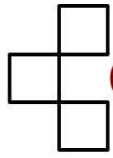
Material: Steel
Finish: Zinc Galvanised



Without holes: **Code no. 57-000E**

Material: Steel
Finish: Zinc Galvanised

Dimensions in mm



CALMORE

Hinges
Hardware
& Mixers

Code no. 57-015
STRAP HINGES
Galvanized, with holes



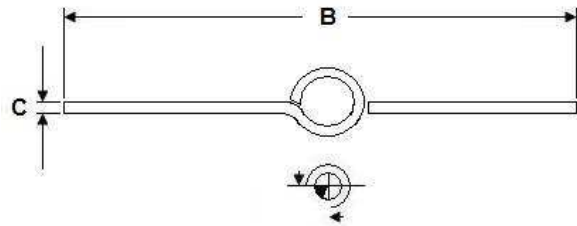
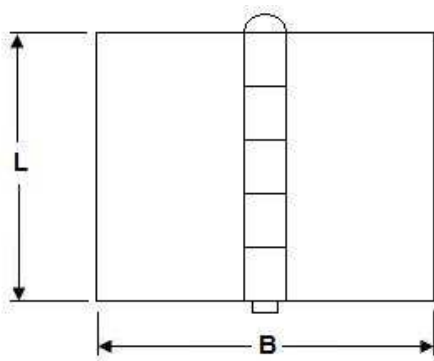
Code	Length = L	Width = B	Thickness = C	Pin dia = d1	Knuckles	No. of Holes	Screw Size	Material
57-015G5	29	192	1.5		3	6	3.0	Steel
57-015G6	33	242	1.5		3	6	3.5	Steel
57-015G7	33	292	1.5		3	8	3.5	Steel
57-015G8	44	390	2.0		3	8	4.0	Steel
57-015G9	48	490	2.0		3	8	4.0	Steel



Code no. 60-030
STRONG BUTT HINGES

Strong sharp edge stainless steel butt hinges with riveted or loose pin stainless steel pin, without holes

Stainless steel grade: 304 (1.4301)



Code	Length = L	Width = B	Thickness = C	Note
60-030A	63	63	1.5	Loose pin
60-030B	63	63	1.5	Riveted pin
60-030C	75	75	1.8	Loose pin
60-030D	75	75	1.8	Riveted pin

Dimensions in mm



CALMORE

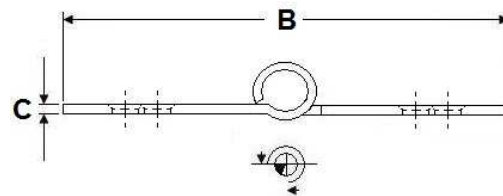
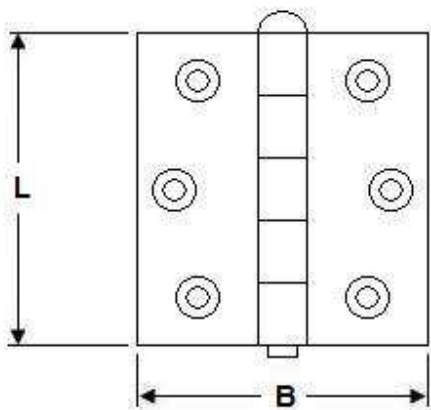
Hinges
Hardware
& Mixers



Code no. 60-060
**HEAVY DUTY BUTT HINGES WITH
CSK HOLES**

Rolled strong sharp edge stainless steel butt hinges with riveted or loose stainless steel pin

Stainless steel grade: 304 (1.4301)

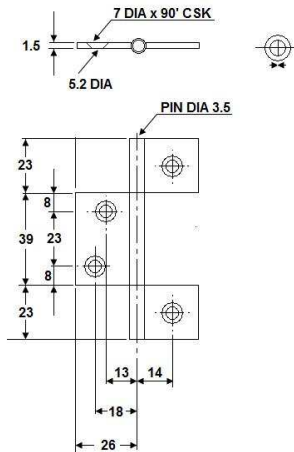


Code	Length = L	Width = B	Thickness = C	Hole Diameter	Note
60-060A	63	63	1.5	4	Loose pin
60-060AR	63	63	1.5	4	Riveted pin
60-060B	75	75	1.8	4	Loose pin
60-060BR	75	75	1.8	4	Riveted pin
60-060C	90	90	1.8	4.5	Loose pin
60-060CR	90	90	1.8	4.5	Riveted pin

Dimensions in mm

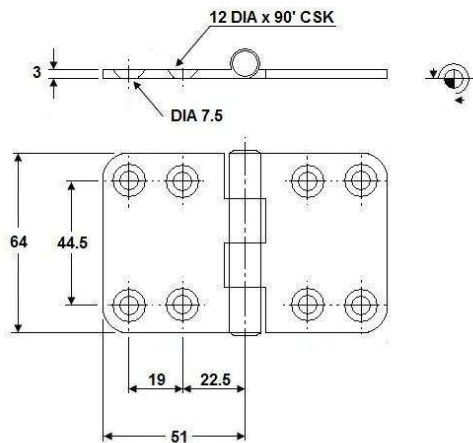


Hinges
Hardware
& Mixers



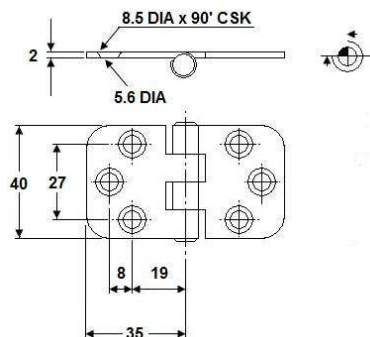
Code no. 60-06001
STAINLESS STEEL HINGES
L 85 x W 52 x 1.5 mm

Non mortise hinge for doors and hatches
Material: SS 304
Finish: electro polished
NW 47g



Code no. 60-06002
STAINLESS STEEL HINGES
L 64 x W 102 x 3 mm

Material: SS 304
Finish: electro polished
NW 179g

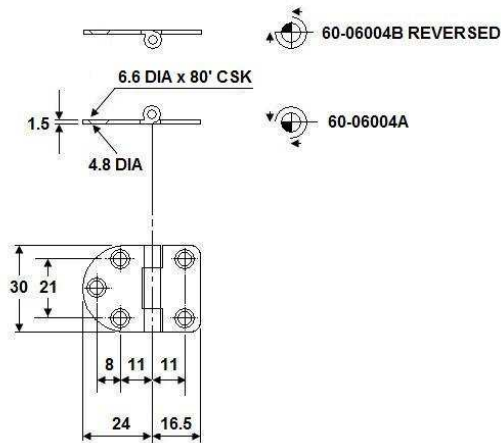


Code no. 60-06003
STAINLESS STEEL HINGES
L 40 x W 70 x 2 mm

Reversed CSK
Material: SS 304
Finish: electro polished
NW 174g



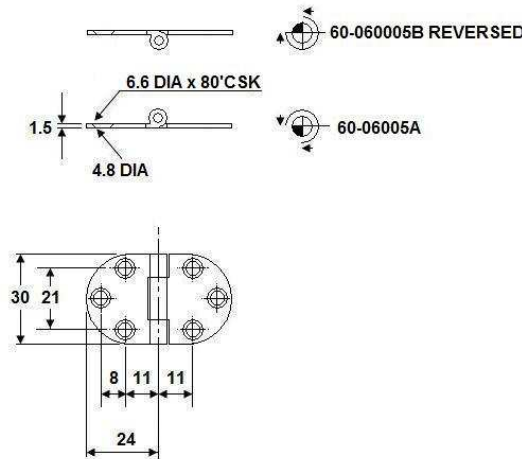
Hinges
Hardware
& Mixers



Code no. 60-06004
STAINLESS STEEL HINGES
L 30 x W 40.5 x 1.5 mm

Code no. 60-06004A
Material: SS 304
Finish: electro polished
NW 16g

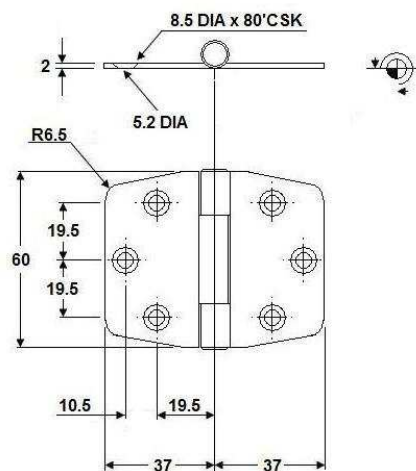
Code no. 60-06004B
Revised CSK
Material: SS 304
Finish: electro polished
NW 16g



Code no. 60-06005
STAINLESS STEEL HINGES
L 30 x W 48 x 1.5 mm

Code no. 60-06005A
Material: SS 304
Finish: electro polished
NW 18g

Code no. 60-06005B
Revised CSK
Material: SS 304
Finish: electro polished
NW 18g

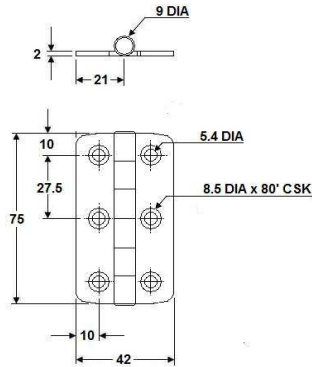


Code no. 60-06006
STAINLESS STEEL HINGES
L 60 x W 74 x 2 mm

Material: SS 304
Finish: electro polished
NW 81g

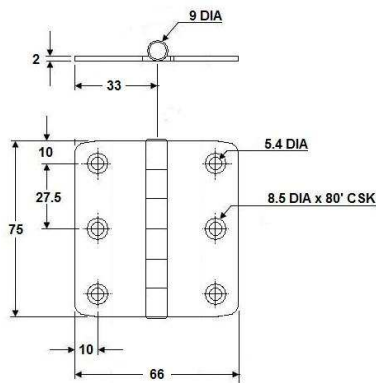


Hinges
Hardware
& Mixers



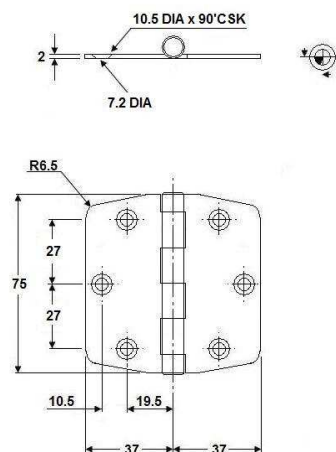
Code no. 60-06007
STAINLESS STEEL HINGES
L 75 x W 42 x 2 mm

Material: SS 316
Finish: electro polished
NW 73g



Code no. 60-06008
STAINLESS STEEL HINGES
L 75 x W 66 x 2 mm

Material: SS 316
Finish: electro polished
NW 101g



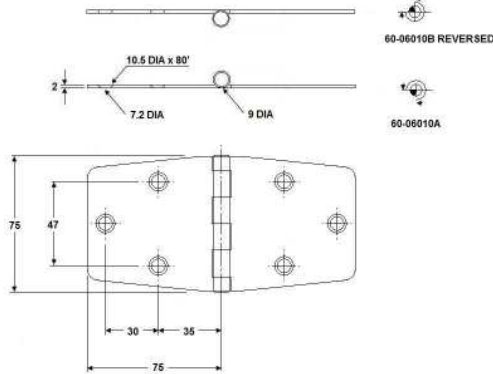
Code no. 60-06009
STAINLESS STEEL HINGES
L 75 x W 74 x 2 mm

Code no. 60-06009A
L 75 x W 74 x 2 mm
Material: SS 304
Finish: electro polished
NW 102g

Code no. 60-06009B
L 75 x W 74 x 2.5 mm
Material: SS 304
Finish: electro polished
NW 102g



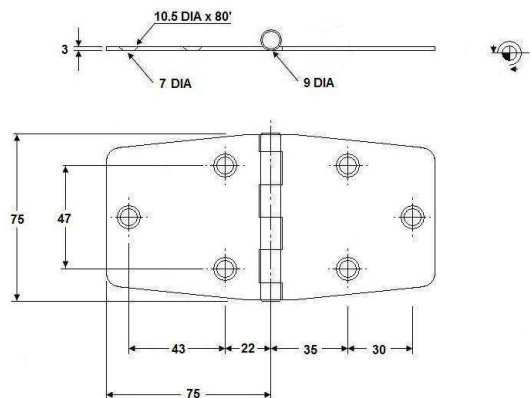
Hinges
Hardware
& Mixers



Code no. 60-06010
STAINLESS STEEL HINGES
L 75 x W 150 x 2 mm

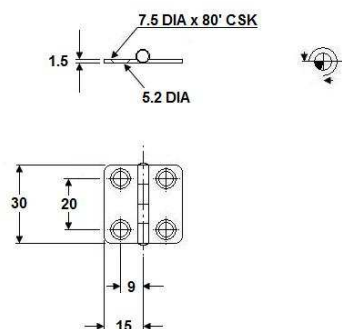
Code no. 60-06010A
Material: SS 304
Finish: electro polished
NW 178g

Code no. 60-06010B
Material: SS 304
Finish: electro polished
NW 178g



Code no. 60-06011
STAINLESS STEEL HINGES
L 75 x W 150 x 3 mm

Material: SS 304
Finish: electro polished
NW 283g

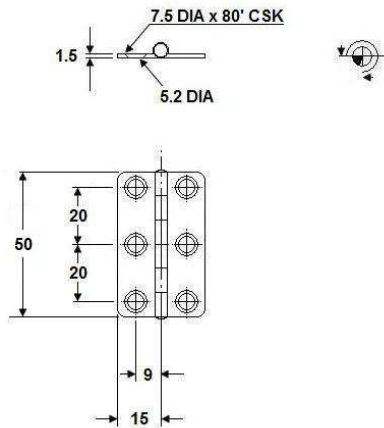


Code no. 60-06012
STAINLESS STEEL BUTT HINGES
L 30 x W 30 x 1.5 mm

Material: SS 304
Finish: electro polished
NW 14g

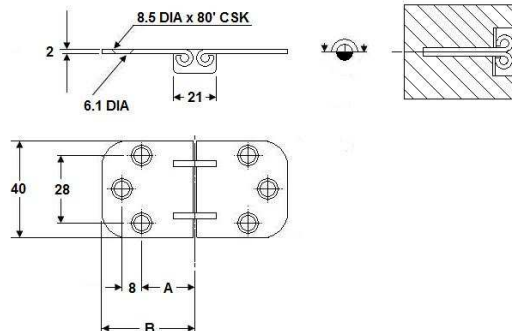


Hinges
Hardware
& Mixers



Code no. 60-06013
STAINLESS STEEL BUTT HINGES
L 50 x W 30 x 1.5 mm

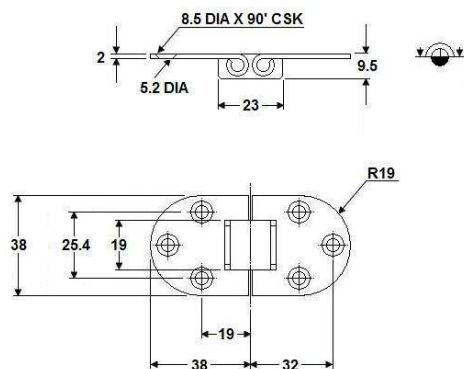
Material: SS 304
Finish: electro polished
NW 32g



Code no. 60-06014
STAINLESS STEEL TABLE HINGES

Code no. 60-06014A
L 40 x W 70 x 2 mm
Material: SS 316
A= 19, B=35 mm
Finish: electro polished
NW 68g

Code no. 60-06014B
L 40 x 75 x 2 mm
Material: SS 316
A= 21.5, B=37.5 mm
Finish: electro polished
NW 75g

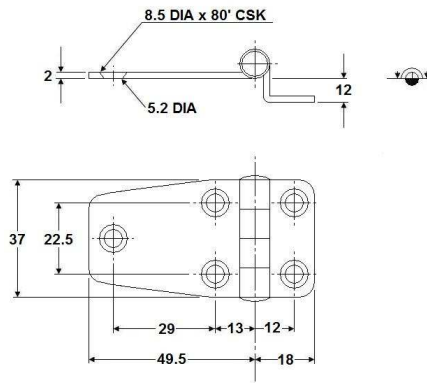


Code no. 60-06015
STAINLESS STEEL TABLE
HINGES
L 38 x W 76 x 2 mm

Material: SS 316
Finish: electro polished
NW 53g

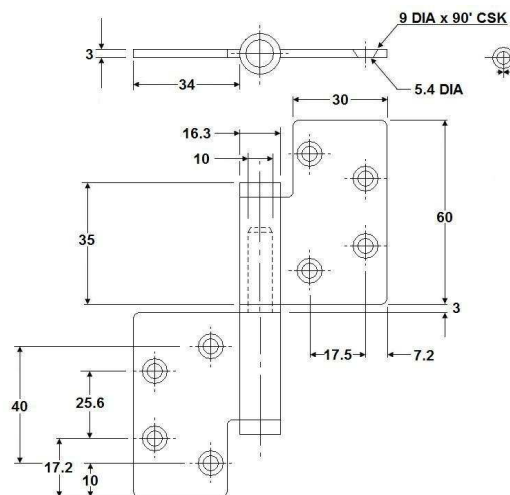


Hinges
Hardware
& Mixers



Code no. 60-06016
STAINLESS STEEL BUTT HINGES
L 37 x W 67.5 x 2 mm

Material: SS 304
Finish: electro polished
NW 55g



Code no. 60-06017
STAINLESS STEEL LIFT OFF
HINGES

Code no. 60-06017L
L 123 x W 84 x 3 mm
Left hand hinges (as drawing)
Material: SS 316
Finish: electro polished
NW 200g

Code no. 60-06017R
L 123 x W 84 x 3 mm
Right hand hinges (as photo)
Material: SS 316
Finish: electro polished
NW 200g

Dimensions in mm

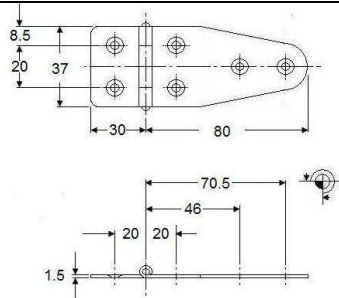


Hinges
Hardware
& Mixers

Code no. 60-080

ROLLED STAINLESS STEEL HATCH/STRAP HINGES

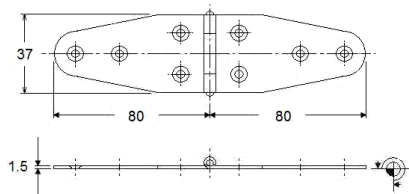
With riveted stainless steel pin, material grade 304 (1.4301)
countersunk holes



ROLLED STRAP HINGE WITH CSK HOLES

Code no. 60-080A

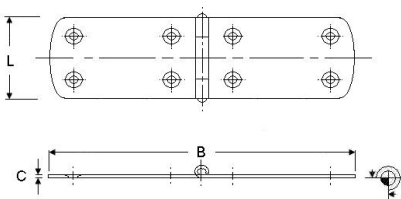
L 37 x 30/80 x C 1.5 mm, Hole dia = 5.2 mm
Screw Ø 4 mm



ROLLED STRAP HINGE WITH CSK HOLES

Code no. 60-080B

L 37 x 80/80 x C 1.5 mm, Hole dia = 5.2 mm
Screw Ø 4 mm



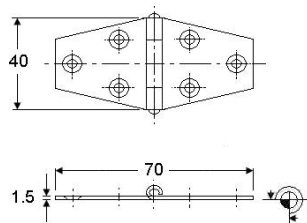
ROLLED STRAP HINGE WITH CSK HOLES

Code no. 60-080C

L 35 x B 160 x C 2 mm, Hole dia = 5.2 mm
Screw Ø 4 mm

Code no. 60-080D

L35 x B 200 x C 2 mm, Hole dia = 5.2 mm
Screw Ø 4 mm



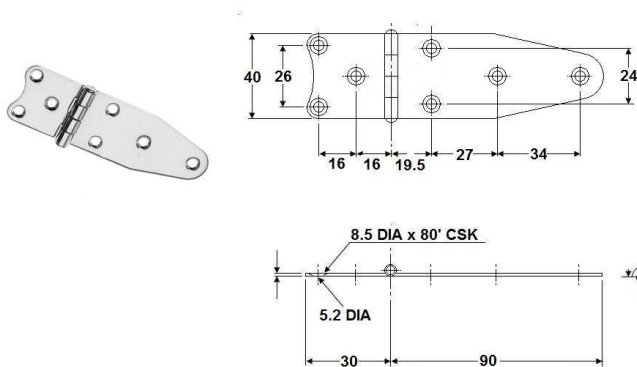
ROLLED HATCH HINGE WITH CSK HOLES

Code no. 60-080E

L 40 x B 70 x C 1.5 mm, Hole dia = 4.2 mm
Screw Ø 3 mm

Dimensions in mm

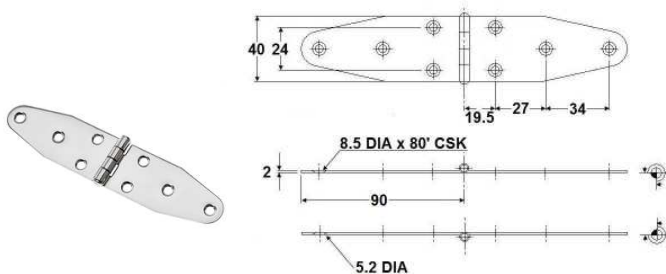
Code no. 60-080
ROLLED STAINLESS STEEL HATCH/STRAP HINGES
With riveted stainless steel pins, material grade 304 (1.4301)
countersunk holes



ROLLED STRAP HINGE WITH CSK HOLES

Code no. 60-080F

L 40 x 30/90 x C 2mm, Hole dia. = 5.2 mm
Screw Ø 4 mm



ROLLED STRAP HINGE WITH CSK HOLES

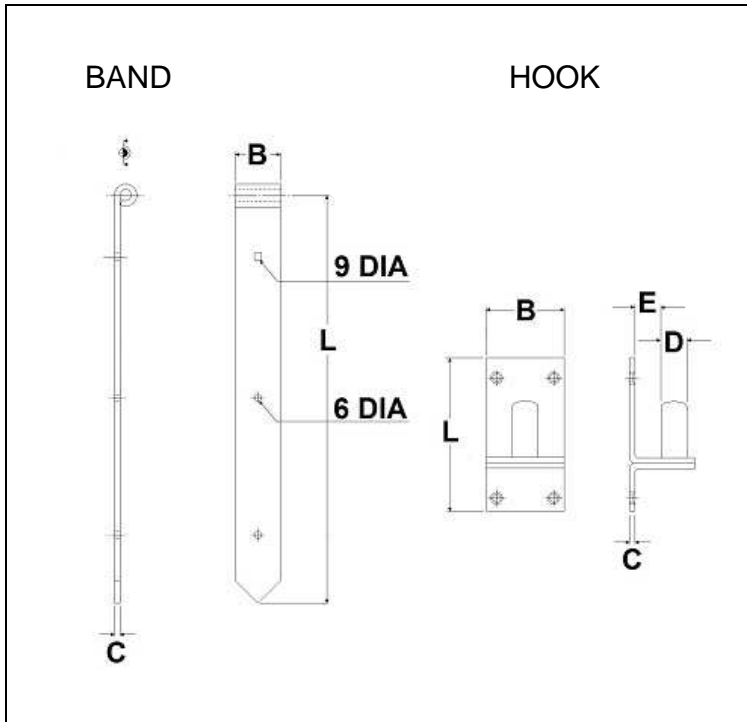
Code no. 60-080G

L 40 x 90/90 x C 2mm, Hole dia. = 5.2 mm
Screw Ø 4 mm

Code no. 60-080GR

WITH CSK HOLES ON REVERSE SIDE
L 40 x 90/90 x C 2mm, Hole dia. = 5.2 mm
Screw Ø 4 mm

Dimensions in mm



Code no. 60-0804 and 60-080H
HOOKS & BANDS

Rolled strong sharp edge stainless steel
hooks and bands

Stainless steel grade: 304 (1.4301)



BANDS

Code	Length = L	Width = B	Thickness = C	Pin diameter = D	Distance = E	Hole diameter
60-08041	400	40	4	13		9mm x 1 □ 6mm x 3
60-08042	500	40	4	13		9mm x 1 □ 6mm x 4
60-08043	600	40	4	13		9mm x 1 □ 6mm x 5
60-08044	600	45	5	16		9mm x 1 □ 8mm x 3
60-08045	700	45	5	16		9mm x 1 □ 8mm x 4
60-08046	800	45	5	16		9mm x 1 □ 8mm x 5

HOOKS

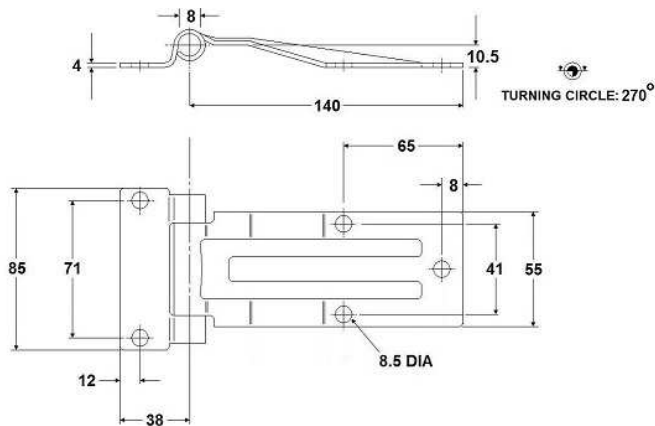
Code	Length = L	Width = B	Thickness = C	Pin diameter = D	Distance = E	Hole diameter
60-080H1	100	30		13	10	5mm x 4
60-080H2	120	40		16	10	6mm x 6

Dimensions in mm



Hinges
Hardware
& Mixers

Code no. 60-082
DOOR HINGES

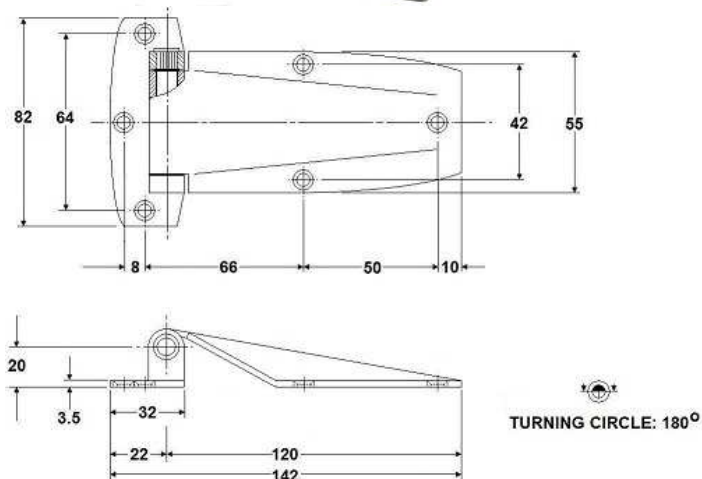


Code no. 60-082A
DOOR HINGE

Stainless steel pressed hinge
with riveted stainless steel pin
With 5 x 8.5mm holes

Weight: 420g

Stainless steel grade 316



Code no. 60-082B
DOOR HINGE

Stainless steel pressed hinge
with stainless steel pin
With 6 x 6.5mm CSK holes
Left hand or right hand

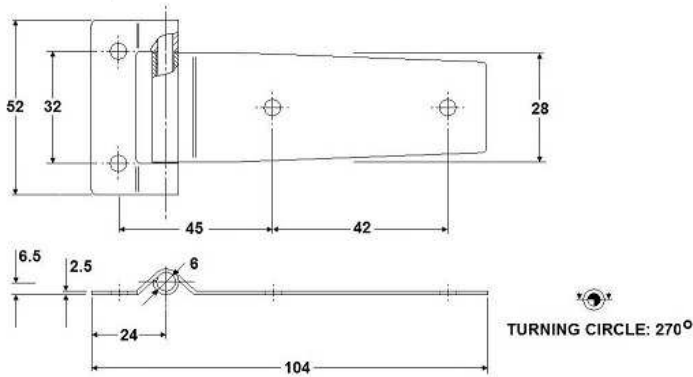
Weight: 350g

Stainless steel grade 304



Hinges
Hardware
& Mixers

Code no. 60-082
DOOR HINGES

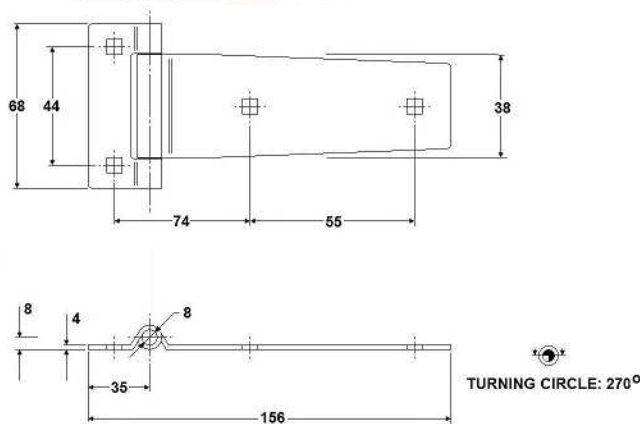


Code no. 60-082C
DOOR HINGE

Stainless steel pressed hinge
with riveted stainless steel pin
With 4 x 5.5mm holes

Weight: 90 g

Stainless steel grade 304



Code no. 60-082D
DOOR HINGE

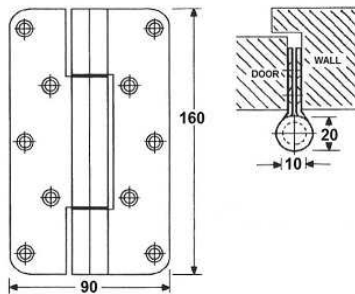
Stainless steel pressed hinge
with riveted stainless steel pin
With 4 x 6.5 □ holes

Weight: 265 g

Stainless steel grade 304

Dimensions in mm

Code no. 60-090
STRONG STAINLESS STEEL BUTT HINGES

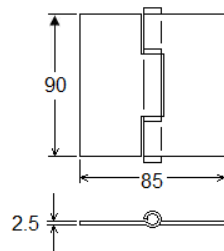


Code no. 60-090Q1
STRONG BUTT HINGE

Strong sharp edge stainless steel butt hinge with riveted or loose pins stainless steel pin
L 160 x B 90 x 3

With holes

Stainless steel grade 304 (1.4301)

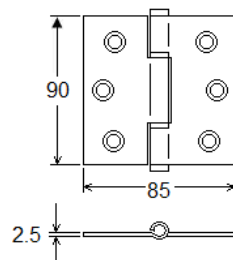


Code no. 60-090A
STRONG BUTT HINGE

Strong sharp edge stainless steel butt hinge with riveted or loose pins stainless steel pin
L 90 x B 85 x 2.5

Without holes

Stainless steel grade 304 (1.4301)

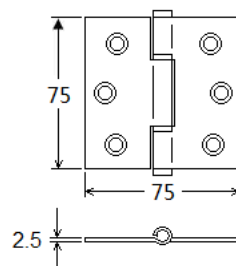


Code no. 60-090A1
STRONG BUTT HINGE

Strong sharp edge stainless steel butt hinge with riveted or loose pins stainless steel pin
L 90 x B 85 x 2.5

With holes, 6 x screws dia.4.5 mm

Stainless steel grade 304 (1.4301)



Code no. 60-090A2

STRONG BUTT HINGE

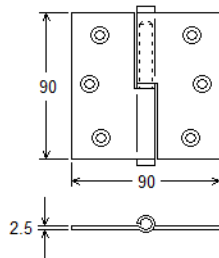
Strong sharp edge stainless steel butt hinge with riveted or loose pins stainless steel pin
L 75 x B 75 x 2.5

With holes, 6 x screws dia.4 mm

Stainless steel grade 304 (1.4301)

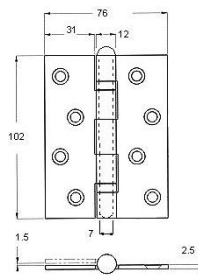
Dimensions in mm

Code no. 60-090
STRONG STAINLESS STEEL BUTT HINGES



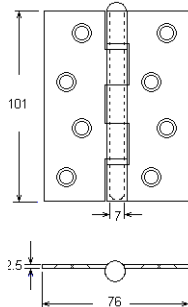
Code no. 60-090B
STRONG ROLLED LIFT OFF BUTT HINGE
Strong sharp edge stainless steel butt hinge with riveted or loose pins stainless steel pin
With countersunk holes

Stainless steel grade 304 (1.4301)



Code no. 60-090C
HEAVY DUTY BUTT HINGE WITH CSK HOLES AND THRUST BEARINGS
Rolled strong sharp edge stainless steel butt hinge with fixed or loose stainless steel pin
Loose pin can be supplied with c-clip
With countersunk holes

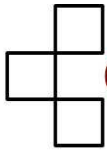
Stainless steel grade 304 (1.4301)



Code no. 60-090D
HEAVY DUTY BUTT HINGE WITH CSK HOLES AND THRUST BEARINGS
Rolled strong sharp edge stainless steel butt hinge with fixed or loose stainless steel pin
Loose pin can be supplied with c-clip
With countersunk holes

Stainless steel grade 304 (1.4301)

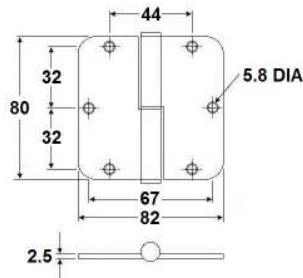
Dimensions in mm



CALMORE

Hinges
Hardware
& Mixers

Code no. 60-090
STRONG STAINLESS STEEL HINGES



Code no. 60-090M2L

L 80 x B 82 x 2.5, Left hand

Code no. 60-090M2R

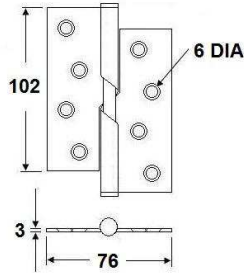
L 80 x B 82 x 2.5, Right hand

LIFT OFF BUTT HINGE

Rolled radius edge stainless steel butt hinge with fixed stainless steel pin

With countersunk holes

Stainless steel grade 304



Code no. 60-090P2L

L 102 x B 76 x 3, Left hand

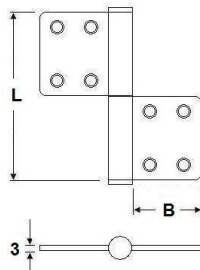
Code no. 60-090P2R

L 102 x B 76 x 3, Right hand

RISING BUTT HINGE

Strong sharp edge stainless steel butt hinge with fixed stainless steel pin and countersunk holes

Stainless steel grade 304



Code no. 60-090P3L

L 102 x B 48 x 3, Left hand

Code no. 60-090P3R

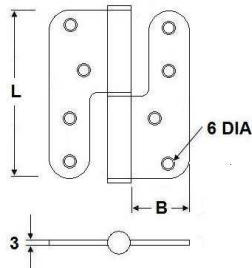
L 125 x B 52 x 3, Right hand

STAINLESS STEEL FLAG HINGE

Universal stainless steel flag hinge with fixed stainless steel pin

With double countersunk holes

Stainless steel grade 304



Code no.60-090P4L

L 102 x B 89 x 3, Left hand

Code no,60-090P4R

L 102 x B 89 x 3, Right hand

STRONG ROLLED LIFT OFF BUTT HINGE

Rolled strong radius edge stainless steel butt hinge with fixed stainless steel pin

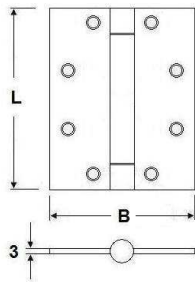
With double countersunk holes

Stainless steel grade 304

Dimensions in mm

www.calmorehinges.co.uk

Code no. 60-090
STRONG STAINLESS STEEL HINGES



Code no. 60-090P5 L 102 x B 76 x 3, Square corner
Code no. 60-090P6 L 102 x B 102 x 3, Square corner
Code no. 60-090P7 L 102 x B 102 x 3, Radius corner

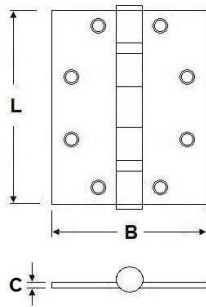
SINGLE ACTION SPRING HINGE

Rolled strong sharp edge stainless steel spring hinge with fixed stainless steel pin. Fire tested to BS EN 1634-1: 2000 FD60 Timber. Adjustable tension. Stainless steel grade 304

Code no. 60-090P8

BUTT HINGE WITH THRUST BEARINGS

Rolled strong sharp edge stainless steel butt hinge with countersunk holes



Specification:
 Pozi Drive Screws
 Security Pinned Caps
 BS EN 1634-1:2000 Fire Tested
 FD60 Timber
 FD240 Steel
 BS EN 1935:2002 Performance Tested
 Certifire CF336

Available Sizes & Finishes:

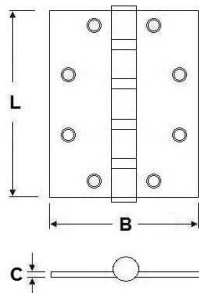
Size (mm)			BS EN 1935	FIRE TESTED	CERTIFIRE	CODE NO.
L	B	C				
76	51	2	7	V	X	60-090P8D
102	76	2.5		X	X	60-090P8E
102	76	3	11	V	V	60-090P8F
102	76	3	13	V	V	60-090P8G
102	76	3	13	V	V	60-090P8G316
127	102	3		X	X	60-090P8H

Intumescent hinge pads (square or rounded corners) sold separately

Dimensions in mm

Code no. 60-090
STRONG STAINLESS STEEL HINGES

Code no. 60-090P9



BUTT HINGE WITH 4 THRUST BEARINGS
Rolled strong sharp edge stainless steel butt hinge with countersunk holes

Specification:
4 thrust bearings
Pozi Drive Screws
Security Pinned Caps
BS EN 1634-1:2000 Fire Tested
FD60 Timber
FD240 Steel
BS EN 1935 Performance Tested
Certifire CF336

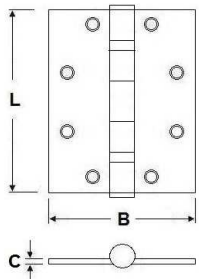
Available Sizes & Finishes:

Size (mm)			BS EN 1935	FIRE TESTED	CERTIFIRE	CODE NO.
L	B	C				
102	76	3	11	V	V	60-090P9

Code no. 60-090P12

BUTT HINGE WITH THRUST BEARINGS, COLOUR COATED

Rolled strong sharp edge stainless steel butt hinge with countersunk holes, colours: WHITE, RED or BLACK



Specification:
Pozi Drive Screws
Security Pinned Caps
BS EN 1634-1:2000 Fire Tested
FD60 Timber
FD240 Steel
BS EN 1935:2002 Performance Tested
Certifire CF336

Available Sizes & Finishes:

Size (mm)			BS EN 1935	FIRE TESTED	CERTIFIRE	CODE NO.
L	B	C				
76	51	2	7	X	X	60-090P12A
102	76	3	13	V	V	60-090P12B

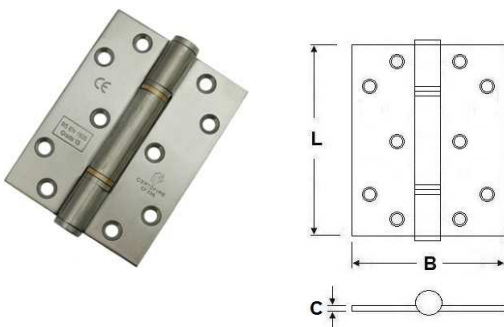
Dimensions in mm

Code no. 60-090
STRONG STAINLESS STEEL HINGES

Code no. 60-090P14

BUTT HINGE

Rolled strong sharp edge stainless steel butt hinge with countersunk holes



Specification:
Self Lubricating, Maintenance Free
Pozi Drive Screws
Security Pinned Caps
BS EN 1634-1:2000 Fire Tested
FD60 Timber
FD240 Steel
BS EN 1935 Performance Tested
Certifire CF336

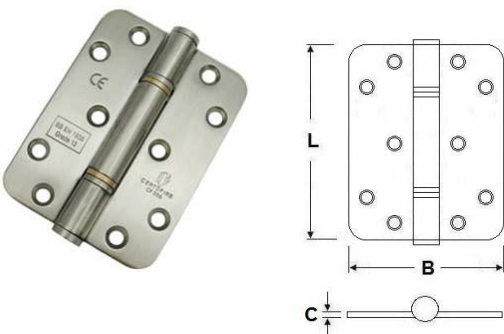
Available Sizes & Finishes:

Size (mm)			BS EN 1935	FIRE TESTED	CERTIFIRE	CODE NO.
L	B	C				
102	76	3	13	V	V	60-090P14

Code no. 60-090P15

BUTT HINGE WITH ROUND CORNER

Rolled strong sharp edge stainless steel butt hinge with countersunk holes



Specification:
Self Lubricating, Maintenance Free
Pozi Drive Screws
Security Pinned Caps
BS EN 1634-1:2000 Fire Tested
FD60 Timber
FD240 Steel
BS EN 1935:2002 Performance Tested
Certifire CF336

Available Sizes & Finishes:

Size (mm)			BS EN 1935	FIRE TESTED	CERTIFIRE	CODE NO.
L	B	C				
102	76	3	13	V	V	60-090P15

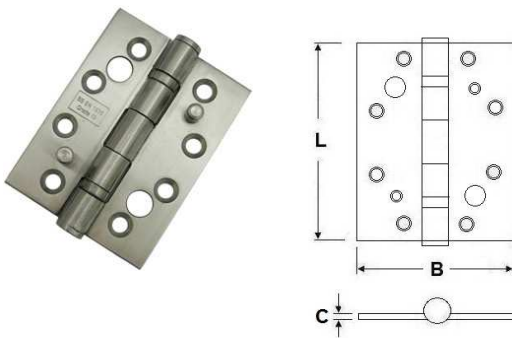
Dimensions in mm

Code no. 60-090
STRONG STAINLESS STEEL HINGES

Code no. 60-090P17

SECURITY HINGE

Rolled strong sharp edge stainless steel butt hinge with countersunk holes



Specification:
2 Security Hinge Bolts
Pozi Drive Screws
Security Pinned Caps
BS EN 1634-1:2000 Fire Tested
FD60 Timber
FD240 Steel
BS EN 1935 Performance Tested

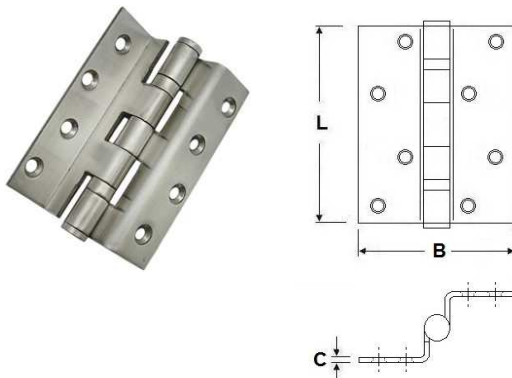
Available Sizes & Finishes:

Size (mm)			BS EN 1935	FIRE TESTED	CERTIFIRE	CODE NO.
L	B	C				
102	76	3	13	V	V	60-090P17C
102	102	3	13	V	X	60-090P17D

Code no. 60-090P18

STAINLESS STEEL REBATED HINGE

Rolled strong sharp edge stainless steel butt hinge with countersunk holes



Specification:
Pozi Drive Screws
Security Pinned Caps, LEFT HANDED

Available Sizes & Finishes:

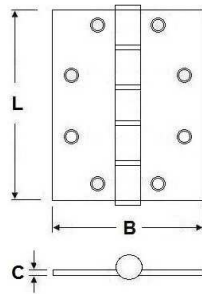
Size (mm)			CODE NO.
L	B	C	
102	76	3	60-090P18

Dimensions in mm

Code no. 60-090
STRONG STAINLESS STEEL HINGES

Code no. 60-090P20

STAINLESS STEEL HINGES WITH WASHERS
Rolled strong sharp edge stainless steel butt hinge with countersunk holes



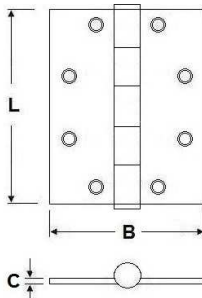
Specification:
Pozi Drive Screws
BS EN 1634-1:2000 Fire Tested
BS EN 1935:2002 Performance Tested

Available Sizes & Finishes:

Size (mm)			BS EN 1935	FIRE TESTED	CODE NO.
L	B	C			
76	51	2		X	60-090P20A
102	67	2	7	V	60-090P20B
102	76	2	7	V	60-090P20C

Code no. 60-090P21

STAINLESS STEEL PLAIN BEARING HINGE
Rolled strong sharp edge stainless steel butt hinge with countersunk holes



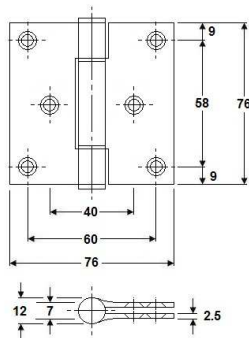
Specification:
Pozi Drive Screws
BS EN 1634-1:2000 Fire Tested
BS EN 1935:2002 Performance Tested

Available Sizes & Finishes:

Size (mm)			BS EN 1935	FIRE TESTED	CODE NO.
L	B	C			
76	51	2		X	60-090P21J
102	76	2	7	V	60-090P20K

Dimensions in mm

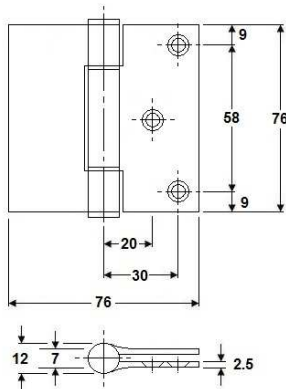
Code no. 61 ROLLED STAINLESS STEEL 316 HINGES



Code no. 61-003

Matt finished stainless steel 316 (1.4401) with flat end caps. Stainless steel pin diameter 7 mm. With stainless steel washers and 6 countersunk holes for M5 screws.

L 76 x 76 x 2.5 mm, pin dia = 7 mm
Screw Ø 5 mm



Matt finished stainless steel 316 (1.4401) with flat end caps. Stainless steel pin diameter 7 mm. With stainless steel washers and 3 countersunk holes for M5 screws.

One leaf without holes

Code no. 61-005R

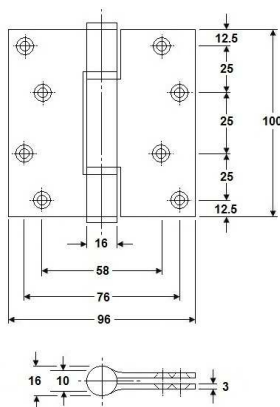
L 76 x 76 x 2.5 mm, pin dia = 7 mm, Right hand
Screw Ø 5 mm

Code no. 61-005L

L 76 x 76 x 2.5 mm, Hole dia = 7 mm, Left hand
Screw Ø 5 mm

Code no. 61-005N

L 76 x 76 x 2.5 mm, without holes



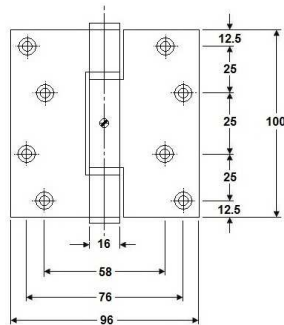
Code no. 61-006

Matt finished stainless steel 316 (1.4401) with flat end caps. Stainless steel pin diameter 10 mm. With stainless steel washers and 8 countersunk holes for M5 screws

L 100 x 96 x 3 mm, pin dia = 10 mm
Screw Ø 5 mm

Dimensions in mm

Code no. 61 ROLLED STAINLESS STEEL 316 HINGES



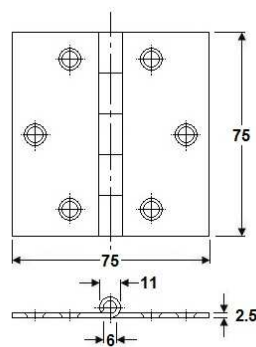
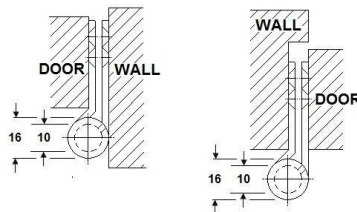
Matt finished stainless steel 316 (1.4401) with flat end caps. Stainless steel pin diameter 10 mm. With stainless steel washers and 8 countersunk holes for M5 screws. Suitable for recessed and flush surface situation. Suitable for extra large openings; for example, wheelchair access.

Code no. 61-012R

L 100 x 96 x 3 mm, pin dia = 10 mm, Right hand
Screw Ø 5 mm

Code no. 61-012L

L 100 x 96 x 3 mm, pin dia = 10 mm, Left hand
Screw Ø 5 mm



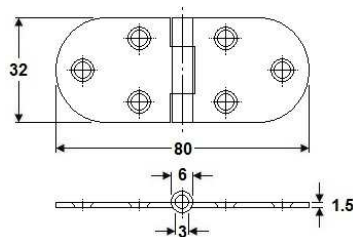
Identical with holes. Matt finished stainless steel 316 (1.4401) with flat end caps, with fixed stainless steel pin diameter 6 mm. Flat back hinge with 6 countersunk holes for M5 screws.

Code no. 61-014

L 75 x 75 x 2.5 mm, pin dia = 6 mm
Screw Ø 5 mm

Dimensions in mm

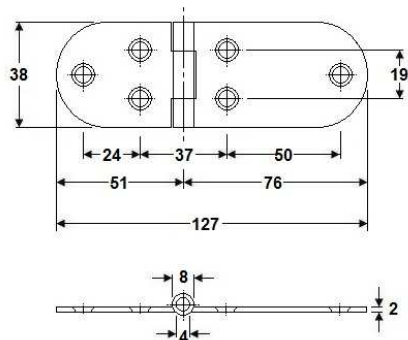
Code no. 61
ROLLED STAINLESS STEEL 316 HINGES



Code no. 61-016

Matt finished stainless steel 316 (1.4401) body with stainless steel pin diameter 3 mm. 3 knuckles. Center swaged with 6 countersunk holes for M4 screws.

L 32 x 80 x 1.5 mm, pin dia = 3 mm
Screw Ø 3.5 mm



Code no. 61-018

Matt finished stainless steel 316 (1.4401) body with stainless steel pin diameter 4 mm. 3 knuckles. Unequal leaves width 51 + 76 mm with 6 countersunk holes for M4 screws.

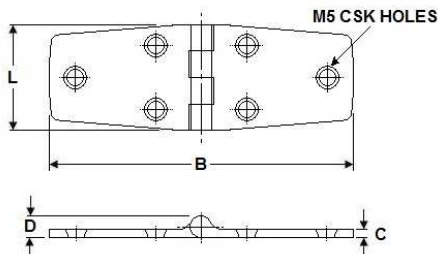
L 38 x 127 x 2 mm, pin dia = 4 mm
Screw Ø 3.5 mm



Stainless steel 316 (1.4401) body with fixed stainless steel pin. 6 knuckles. Flat back hinge with 6 countersunk holes for M5 screws.

Code no. 61-021C

L 38 x 104 x 4 mm, pin dia = 1.5 mm, D=9.5
Screw Ø 5 mm

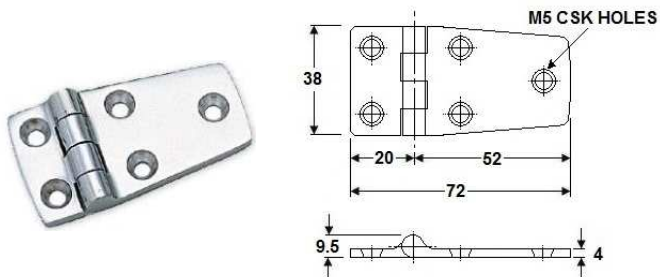


Code no. 61-021D

L 27 x 160 x 4 mm, pin dia = 2 mm, D=10
Screw Ø 5 mm

Dimensions in mm

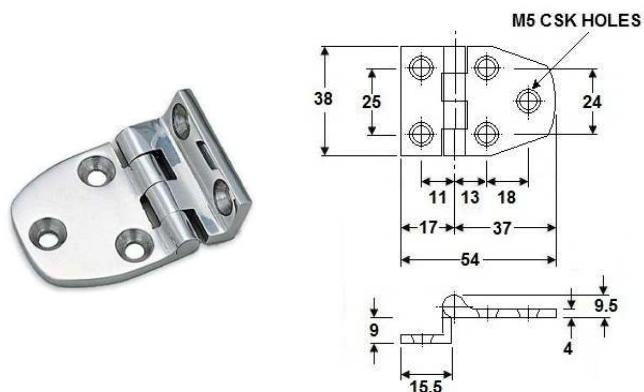
Code no. 61 ROLLED STAINLESS STEEL 316 HINGES



Code no. 61-022

Mirror polished stainless steel 316 (1.4401) body with fixed stainless steel pin. 4 knuckles. Flat back. Unequal leaves width 20 + 52 mm with 5 countersunk holes for M5 screws.

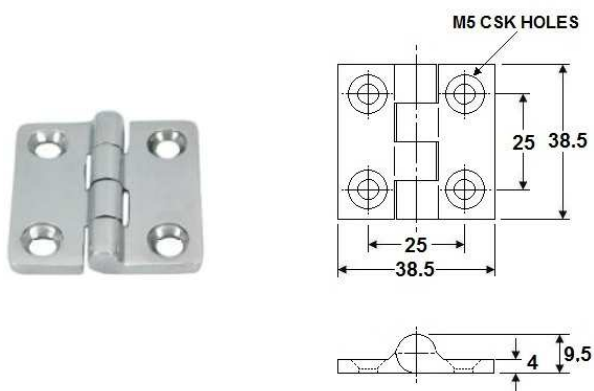
L 38 x 72 x 4 mm
Screw Ø 5 mm



Code no. 61-025

Mirror polish stainless steel 316 (1.4401) body with fixed stainless steel pin. 4 knuckles hinge with unequal leaves width 17 + 37 mm with 5 countersunk holes for M5 screws.

L 38 x 54 x 4 mm
Screw Ø 5 mm



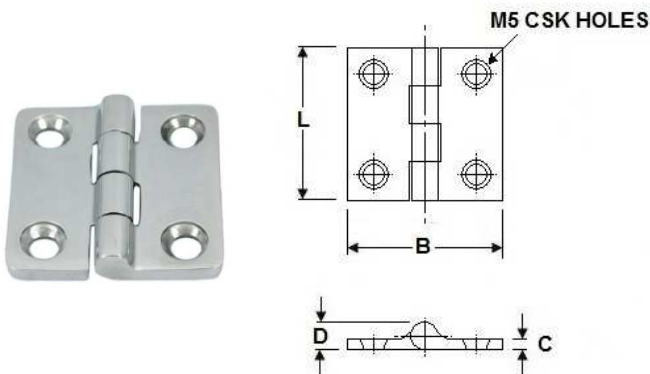
Code no. 61-026

Mirror polished stainless steel 316 (1.4401) body with fixed stainless steel pin. 4 knuckles flat back hinge with 4 countersunk holes for M5 screws.

L 38.5 x 38.5 x 4 mm
Screw Ø 5 mm

Dimensions in mm

Code no. 61 ROLLED STAINLESS STEEL 316 HINGES



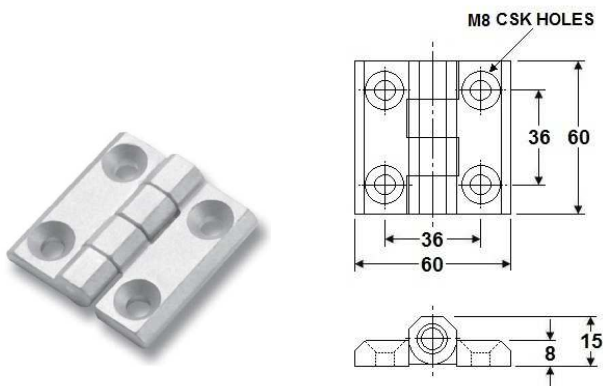
Mirror polished stainless steel 316 (1.4401) body with stainless steel pin. Flat back hinge with 4 knuckles and with 4 countersunk holes for M5 screws.

Code no. 61-027C

L 50 x 50 x 4 mm, D=9.5
Screw Ø 5 mm

Code no. 61-027D

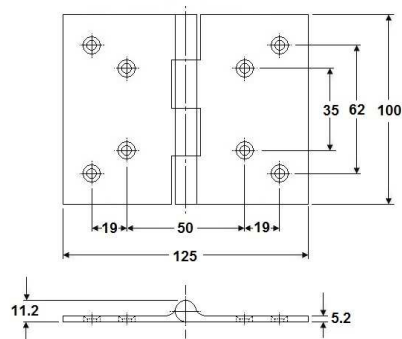
L 100 x 100 x 5.2 mm, D=11.2
Screw Ø 5 mm



Code no. 61-030

Stainless steel 316 (1.4401) cast hinges with fixed pin with beveled edge. 4 knuckles with 4 countersunk holes for M8 screws.

L 60 x 60 x 8 mm
Screw Ø 8.4 mm



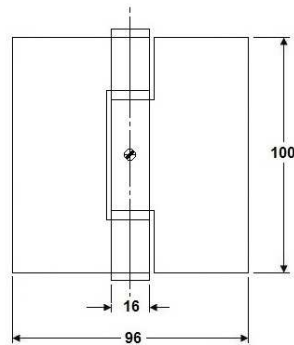
Code no. 61-032

Stainless steel 316 (1.4401) cast hinges with fixed stainless steel fixed pin dia. 5 mm. Mirror polished finish. 4 knuckles flat back hinge with 8 countersunk holes for M5 screws.

L 100 x 125 x 5.2 mm, pin dia= 5 mm
Screw Ø 5 mm

Dimensions in mm

Code no. 61 ROLLED STAINLESS STEEL 316 HINGES



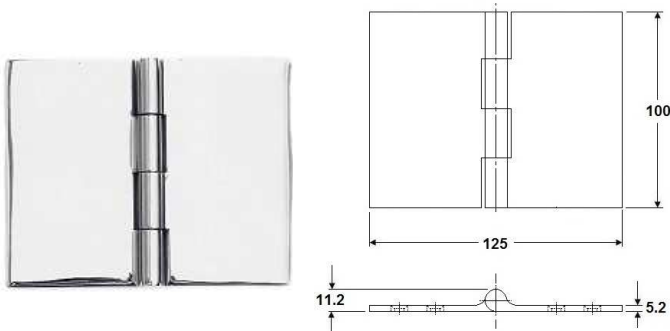
Stainless steel 316 (1.4401) body with flat end caps and removable stainless steel 316 pin and 2 washers. One leaf flat back and one leaf swaged, without holes.

Code no. 61-035R

L 100 x 96 x 3 mm, pin dia = 10 mm, Right hand

Code no. 61-035L

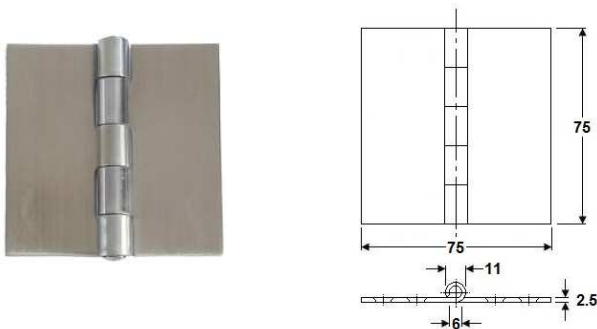
L 100 x 96 x 3 mm, pin dia = 10 mm, Left hand



Code no. 61-036

Stainless steel 316 (1.4401) cast hinge with fixed stainless steel pin dia. 5 mm. Mirror polished finish. Without holes. Flat back.

L 100 x 125 x 5.2 mm, pin dia = 5 mm



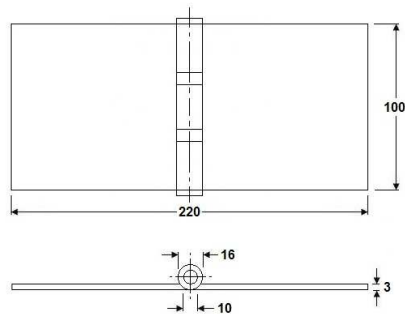
Code no. 61-039

Stainless steel 316 (1.4401) cast hinge with fixed stainless steel pin dia. 5 mm. Mirror polished finish. Without holes. Flat back.

L 75 x 75 x 2.5 mm, pin dia = 6 mm

Dimensions in mm

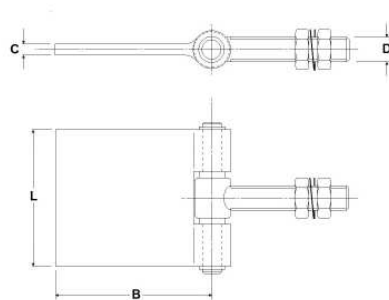
Code no. 61 ROLLED STAINLESS STEEL 316 HINGES



Code no. 61-042

Stainless steel 316 (1.4401) hinge with loose stainless steel pin dia. 10 mm. Mirror polished finish. Without holes. Flat back. With 2 strong stainless steel 304 bearings.

L 100 x 220 x 3 mm, pin dia = 10 mm



Stainless steel 316 (1.4401) cast hinge with fixed pin with beveled edge. 4 knuckles with 4 countersunk holes for M8 screws.

Code no. 61-043A

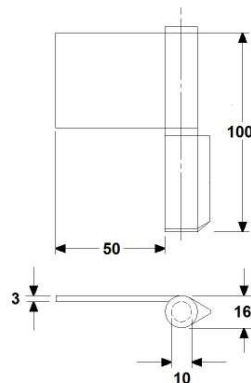
L 50 x B 97 x C 10 mm, bolt: M12 x 100

Code no. 61-043B

L 70 x B 122 x C 10 mm, bolt: M16 x 80

Code no. 61-043C

L 70 x B 122 x C 10 mm, bolt: M20 x 130



Stainless steel 316 (1.4401) Lift-off hinge with stainless steel pin dia. 10 mm. Flat head with flat hinge leaf and one s/s washer. Without holes. Hinges are handed.

Code no. 61-045R

L 100 x 50 x 3 mm, pin dia = 10 mm, Right hand

Code no. 61-045L

L 100 x 50 x 3 mm, pin dia = 10 mm, Left hand

Dimensions in mm



UNIT 4, 28 BLACKMOOR ROAD
EBBLAKE INDUSTRIAL ESTATE
VERWOOD, DORSET
BH31 6BB
UK

Tel +44 (0)1202 827701
Fax +44 (0)1202 813053
info@calmorehinges.co.uk
www.calmorehinges.co.uk

